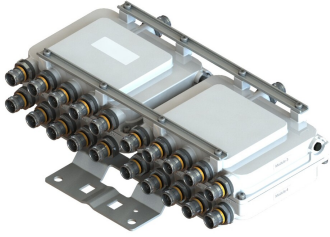


E14F20P19



Quad Pentaplexer 617-960/1350-2200/2300-2400/2496-2700/3300-4200, DC/AISG bypass on all frequency ports, with 4.3-10 connectors

- New Combining Solution to introduce 5G, 3.5GHz band
- Industry leading PIM performance
- New 4.3-10 connectors for improved PIM performance and size reduction
- Suitable for feeders cables reduction
- dc/AISG pass-through on all frequency ports
- Quad configuration, 4x4 MIMO ready

Product Classification

Product Type Pentaplexer

General Specifications

Color Gray

Modularity 4-Quad

Mounting Pole | Wall

Mounting Pipe Hardware Band clamps (2)

RF Connector Interface 4.3-10 Female

Dimensions

Height 88 mm | 3.465 in

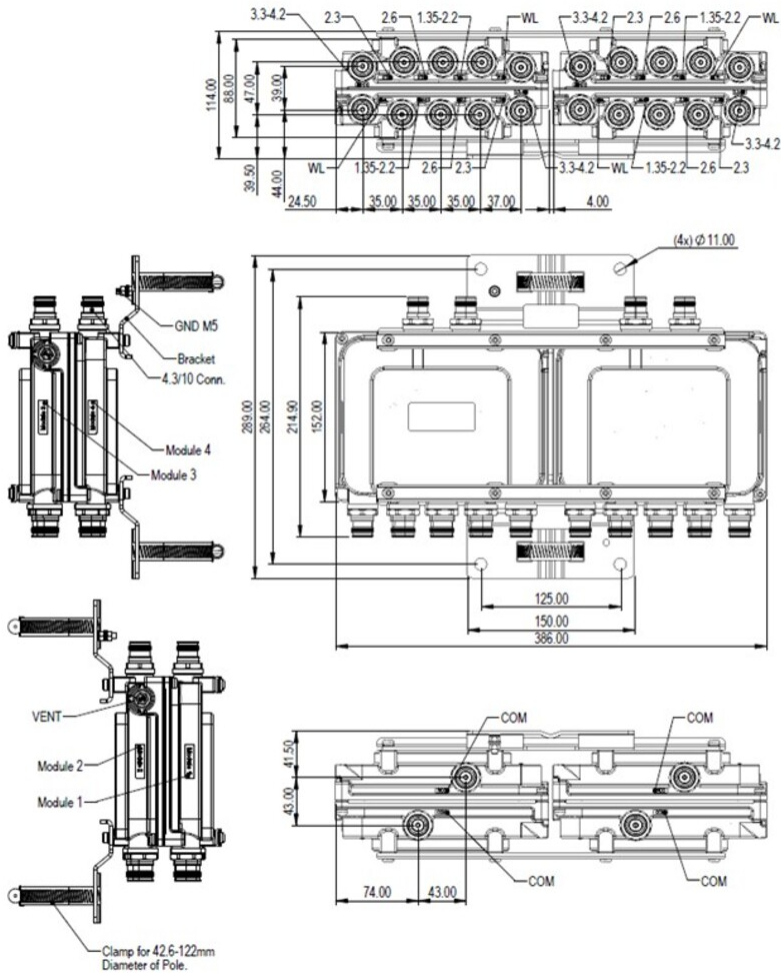
Width 386 mm | 15.197 in

Depth 152 mm | 5.984 in

Mounting Pipe Diameter Range 43–122 mm

Outline Drawing

E14F20P19



Electrical Specifications

| | |
|--------------------------------|---|
| Impedance | 50 ohm |
| License Band, Band Pass | APT 700 AWS 1700 CEL 850 CEL 900 DCS 1800 EDD 800 IMT 2100 IMT 2600 SDL 1400 TDD 2300 TDD 2600 TDD 3500 USA 600 |

Electrical Specifications, dc Power/Alarm

| | |
|---|--|
| dc/AISG Pass-through Path | Branch 1 Branch 2 Branch 3 Branch 4 Branch 5 |
| Lightning Surge Current | 5 kA |
| Lightning Surge Current Waveform | 8/20 waveform |

Electrical Specifications

| | | | | | |
|-------------------|--------------|--------------|--------------|--------------|--------------|
| Sub-module | 1 2 | 1 2 | 1 2 | 1 2 | 1 2 |
|-------------------|--------------|--------------|--------------|--------------|--------------|

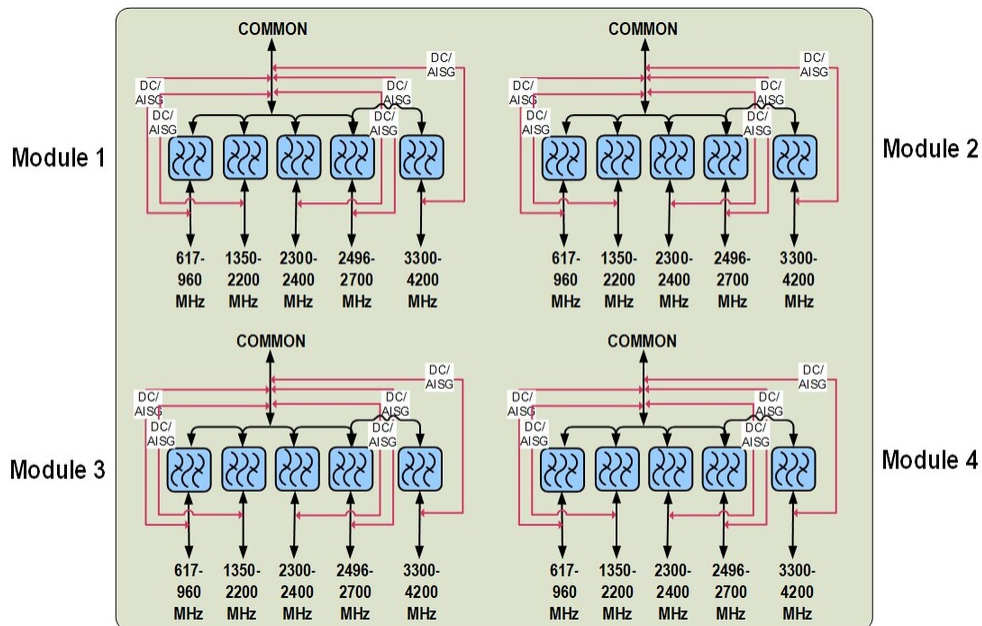
E14F20P19

| Branch | 1 | 2 | 3 | 4 | 5 |
|-------------------------|--|---|------------------------|--|------------------------|
| Port Designation | PORT 1 617-960 | PORT 2 1350-2200 | PORT 3 2300-2400 | PORT 4 2496-2700 | PORT 5 3300-4200 |
| License Band | APT 700, Band Pass USA 600, Band Pass CEL 850, Band Pass CEL 900, Band Pass EDD 800, Band Pass | PCS 1900, Band Pass AWS 1700, Band Pass SDL 1400, Band Pass DCS 1800, Band Pass IMT 2100, Band Pass | TDD 2300, Band Pass | TDD 2600, Band Pass IMT 2600, Band Pass | TDD 3500, Band Pass |

Electrical Specifications, Band Pass

| Frequency Range, MHz | 617–960 | 1350–2200 | 2300–2400 | 2496–2700 | 3300–4200 |
|-------------------------------------|----------------------|----------------------|----------------------|----------------------|----------------------|
| Insertion Loss, typical, dB | 0.15 | 0.1 | 0.2 | 0.15 | 0.15 |
| Return Loss, typical, dB | 20 | 20 | 20 | 20 | 20 |
| Isolation, typical, dB | 38 | 38 | 38 | 38 | 38 |
| Input Power, RMS, maximum, W | 125 | 125 | 125 | 125 | 125 |
| Input Power, PEP, maximum, W | 1250 | 1250 | 1250 | 1250 | 1250 |
| 3rd Order PIM, typical, dBc | -155 | -155 | -155 | -155 | -155 |
| 3rd Order PIM Test Method | Two +43 dBm carriers | Two +43 dBm carriers | Two +43 dBm carriers | Two +43 dBm carriers | Two +43 dBm carriers |

Block Diagram



Mechanical Specifications

Wind Speed, maximum 200 km/h | 124.274 mph

E14F20P19

Environmental Specifications

| | |
|---------------------------------------|--------------------------------------|
| Operating Temperature | -40 °C to +65 °C (-40 °F to +149 °F) |
| Corrosion Test Method | IEC 60068-2-11, 30 days |
| Environmental Test Method | ETSI EN 300 019-1-4 |
| Ingress Protection Test Method | IEC 60529:2001, IP67 |

Packaging and Weights

| | |
|--|--------------------|
| Included | Mounting hardware |
| Volume | 5.2 L |
| Weight, net | 8.55 kg 18.85 lb |
| Weight, without mounting hardware | 7.6 kg 16.755 lb |