

4

3

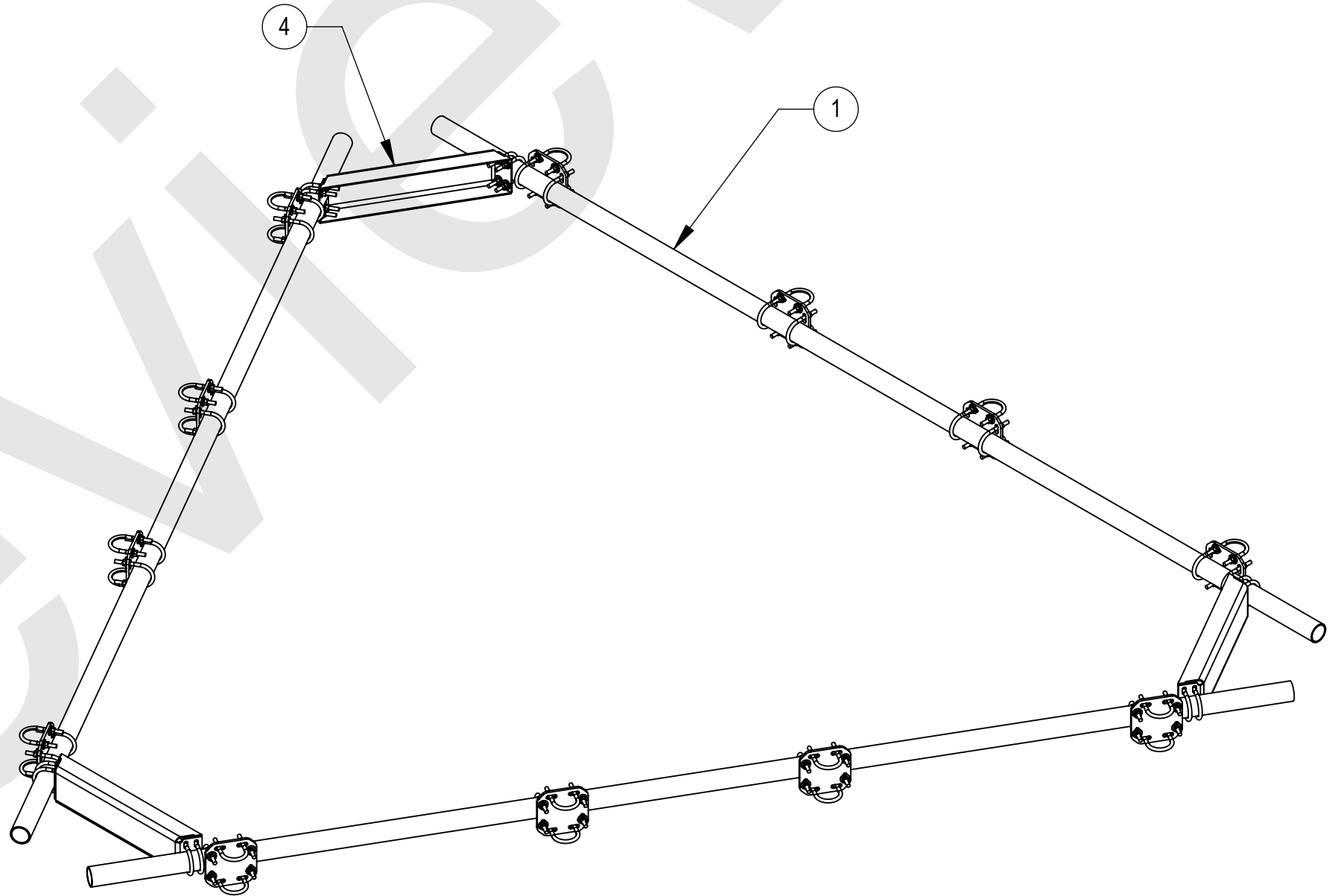
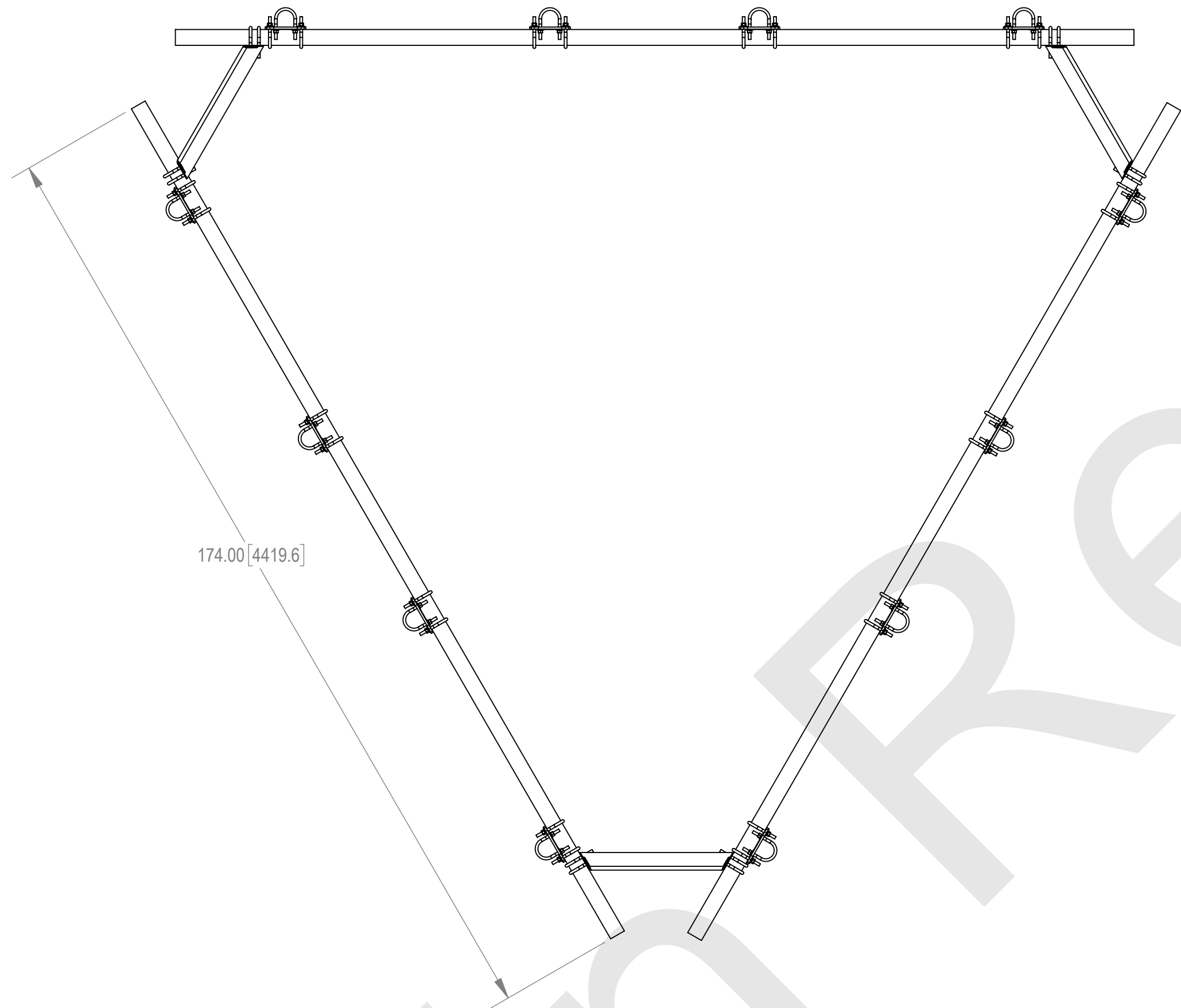
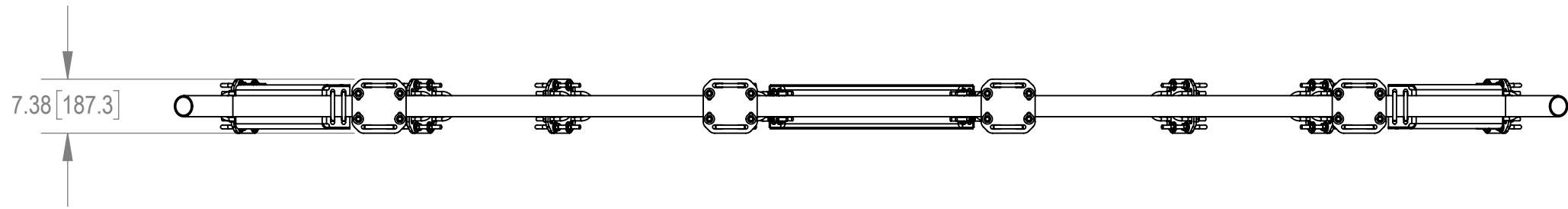
2

1

NOTES:

- 1.0 GENERAL
 - 1.1 ALL METRIC DIMENSIONS ARE IN BRACKETS
 - 1.2 FOR PATENT INFO :<https://www.cs-pat.com>
- 2.0 DESIGN NOTES
 - 2.1 TORQUE TO 45 FT-LBS OR USE TURN OF NUT METHOD
 - 2.2 KIT WILL WORK WITH 14 FOOT MC-PM AND MC-PK PLATFORM KITS AND POLE SIZES FROM 12" OD TO 53" OD.
- 3.0 MANUFACTURING/SPECIAL REQUIRMENTS
- 4.0 TEST
- 5.0 PACKAGING

REVISIONS				
REV.	ECN	DESCRIPTION	DATE	APPROVED
A	8000043841	INITIAL RELEASE	11/16/2020	RKH



ITEM NO.	PART NUMBER	DESCRIPTION	QTY.
1	MT-546-174	PIPE GALV, 2-7/8 X 174, SCH40	3
2	XP-2525	CROSSOVER PLATE KIT, 2-7/8 OD X 2-7/8 OD	12
3	GUB-4352	1/2" X 3" X 5-1/4" GALV U-BOLT	12
4	MT19525	CORNER WELDMENT FOR MT-195	3

DENSITY	0.28	lbs/in ³
MASS	138.28	lbs
VOLUME	487.61	in ³
SURFACE AREA		in ²
HEIGHT	7.4	
LENGTH	190	
WIDTH	190	

COMMSCOPE, INC. OF NORTH CAROLINA

TOLERANCES		SAP MATERIAL MASTER	
1 PLACE .X ± .25	3 PLACE .XXX ± 0.06	MC-HR25X-14-12	
2 PLACE .XX ± 0.12	ANGLES ± 2°		
FINISH GALV A123		MATERIAL A1011, A500	
UNLESS OTHERWISE SPECIFIED DIMENSIONS ARE IN INCHES INTERPRET PER ANSI Y 14.5M-1994	CE	RKH	12/11/2020
	RW	ROGHANSON	12/11/2020
	RV		
	RE		
ECN 008000043841		SCALE 1:32	DOCUMENT NO. MC-HR25X-14-12
SIZE	WORK AREA 24	MODEL	
C		VERSION	STATUS
		01	RE
		DRAWING	
VERSION	STATUS	REVISION	VERSION
01	RE	B	01
		STATUS	REVISION
		RW	
			SHEET 1 OF 2

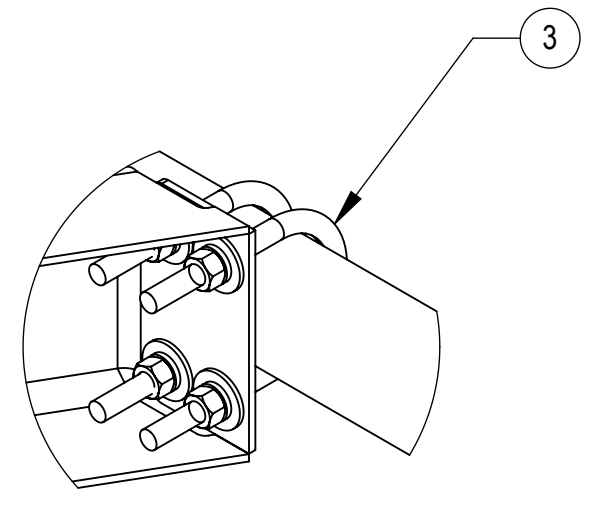
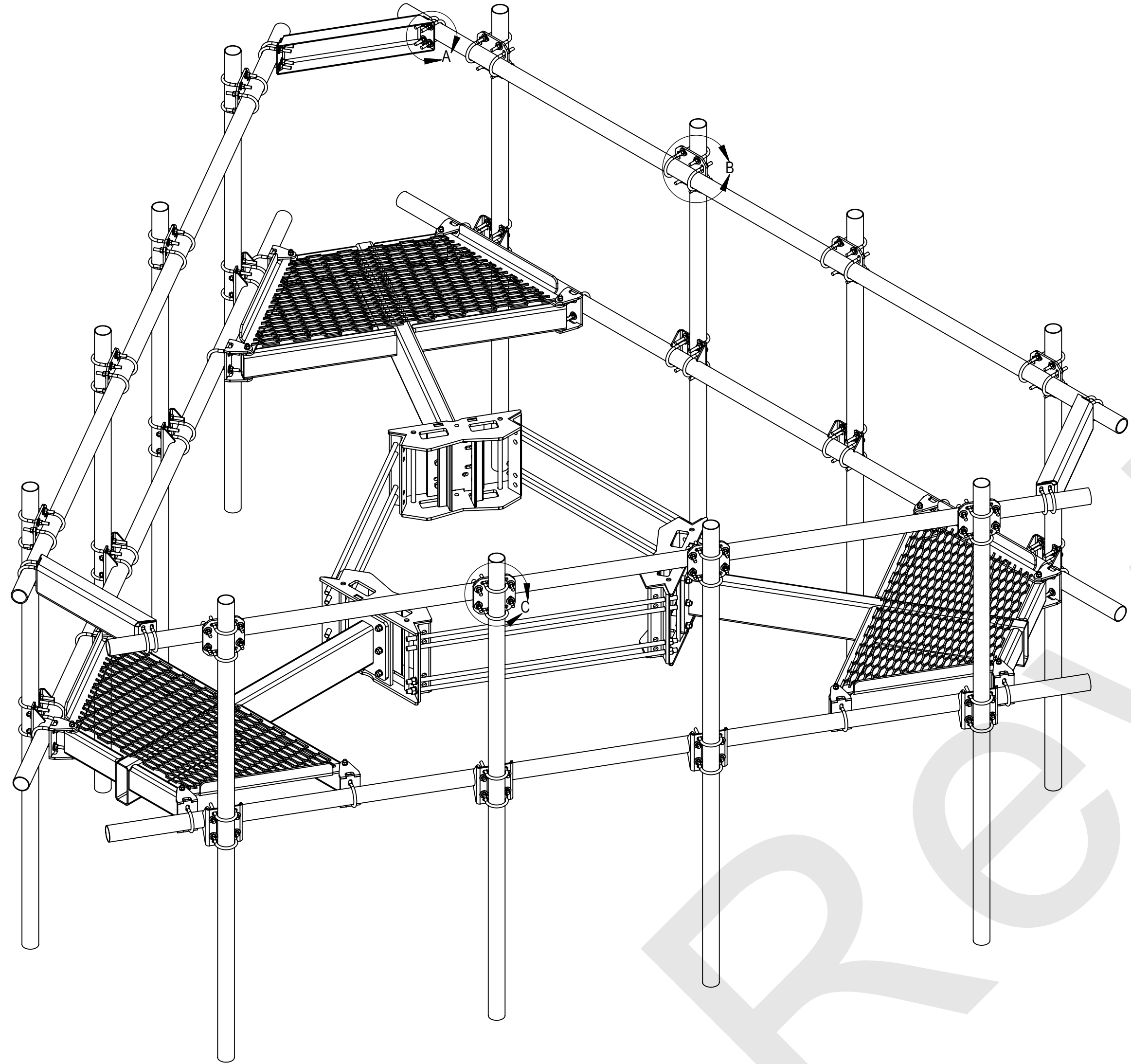
4

3

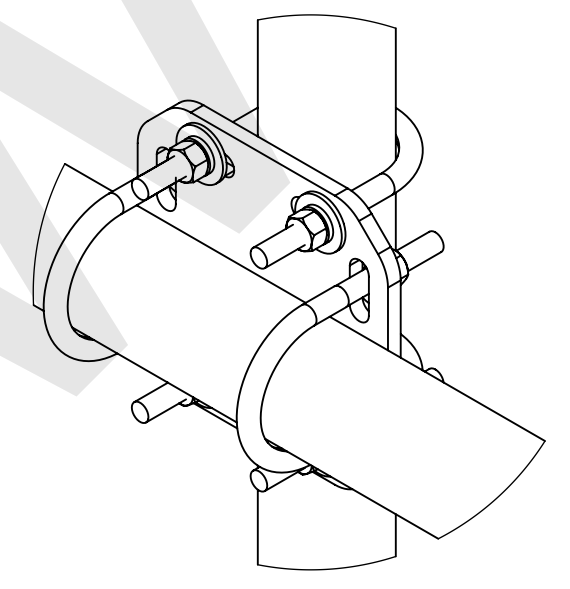
2

1

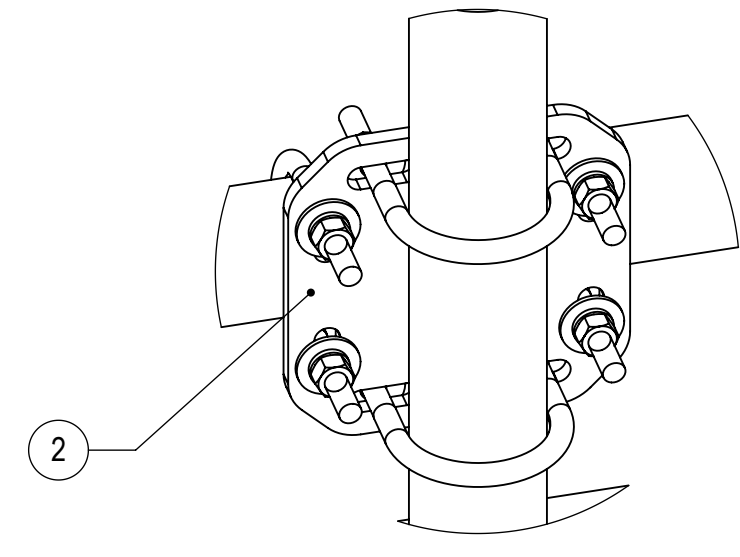
NOTES:



DETAIL A
SCALE 1:4


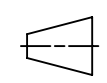


DETAIL B
SCALE 1:4



DETAIL C
SCALE 1:4

IMAGE SHOWS MC-HR25X-14-12 MOUNTED TO A MC-PK SERIES PLATFORM.
THE PLATFORM, VERTICAL PIPES AND RING MOUNT ARE NOT INCLUDED IN
THIS KIT.

COMMSCOPE, INC. OF NORTH CAROLINA				
TITLE HR, MONO PLATF, 2-7/8 x 14,12, 2-7/8 HRW				
SIZE C	SCALE 1:32	DOCUMENT NO. MC-HR25X-14-12		
 		DRAWING		SHEET 2 OF 2
		VERSION 01	STATUS RW	

© 2020 CommScope, Inc. Confidential

4

3

2

1

D

D

C

C

B

B

A

A