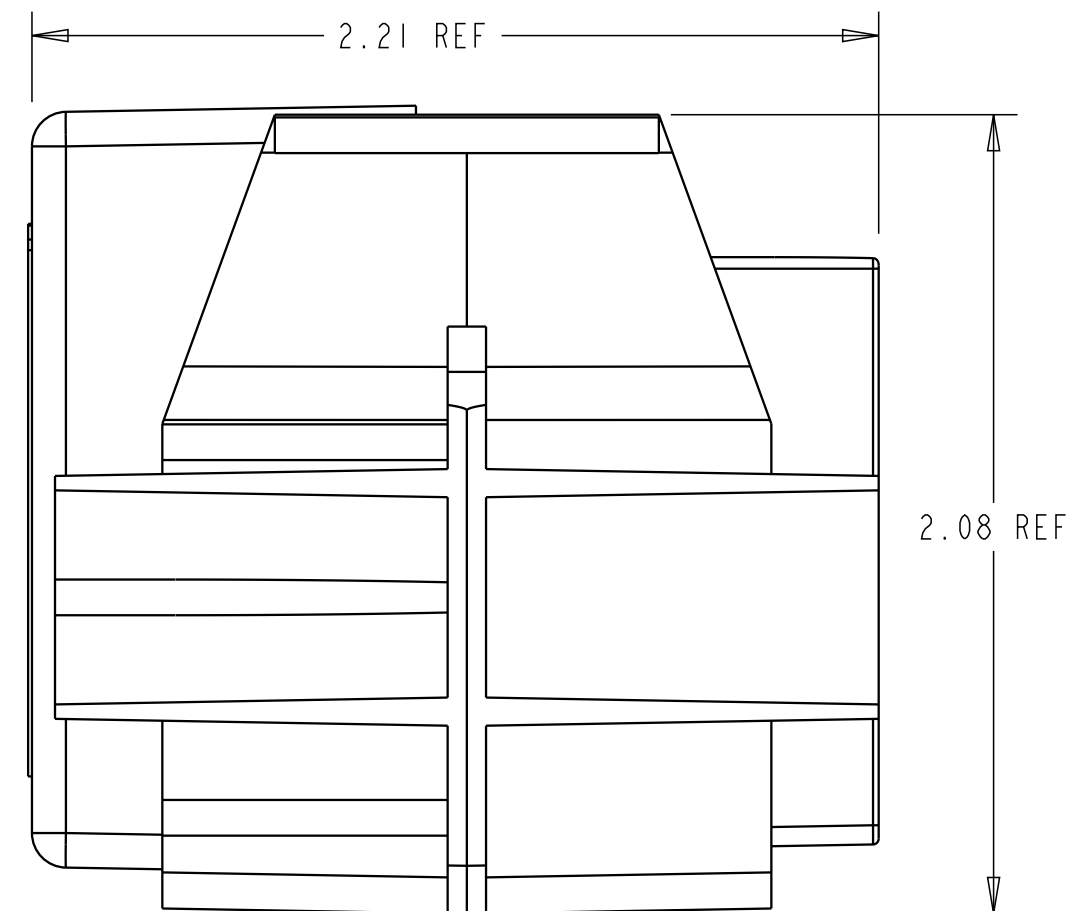
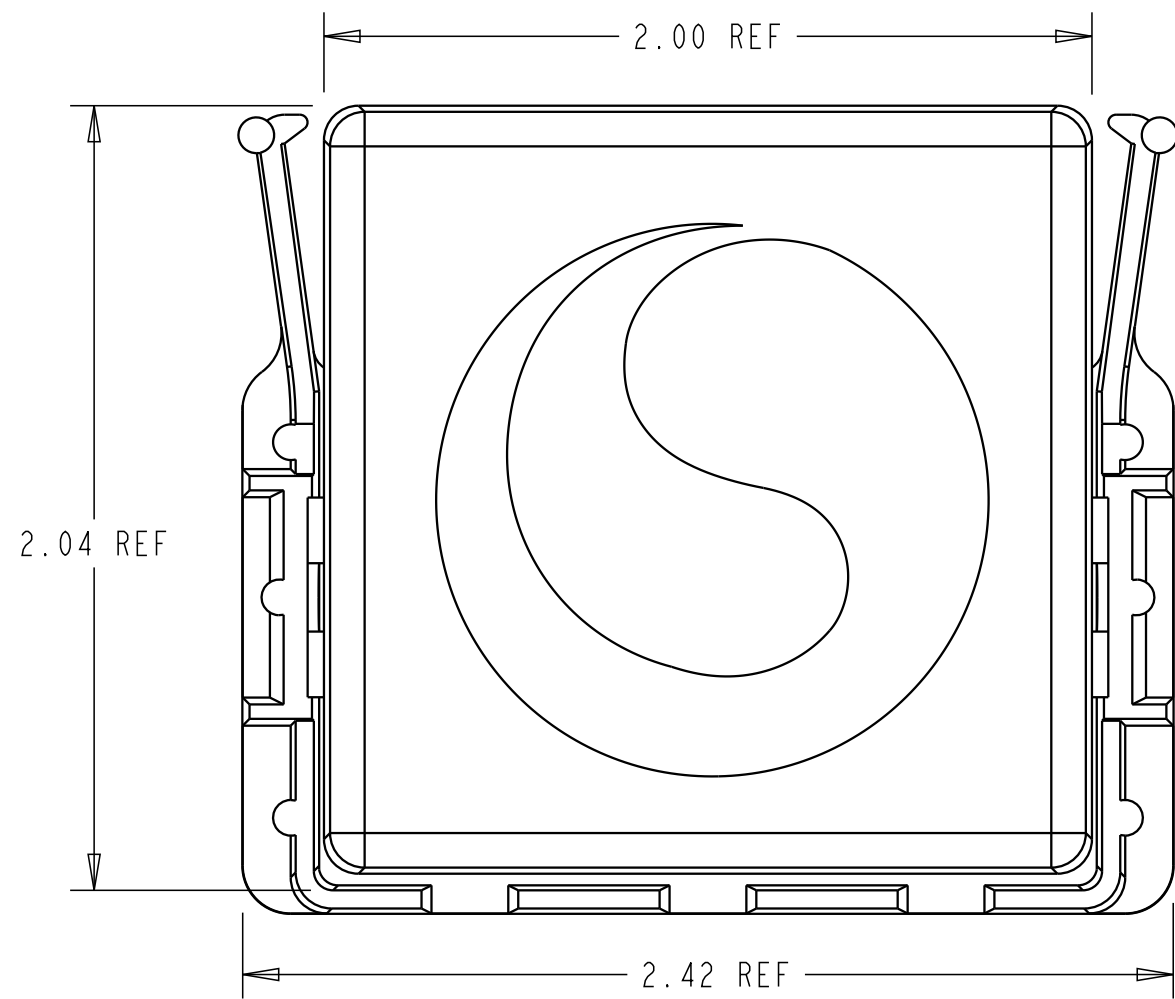
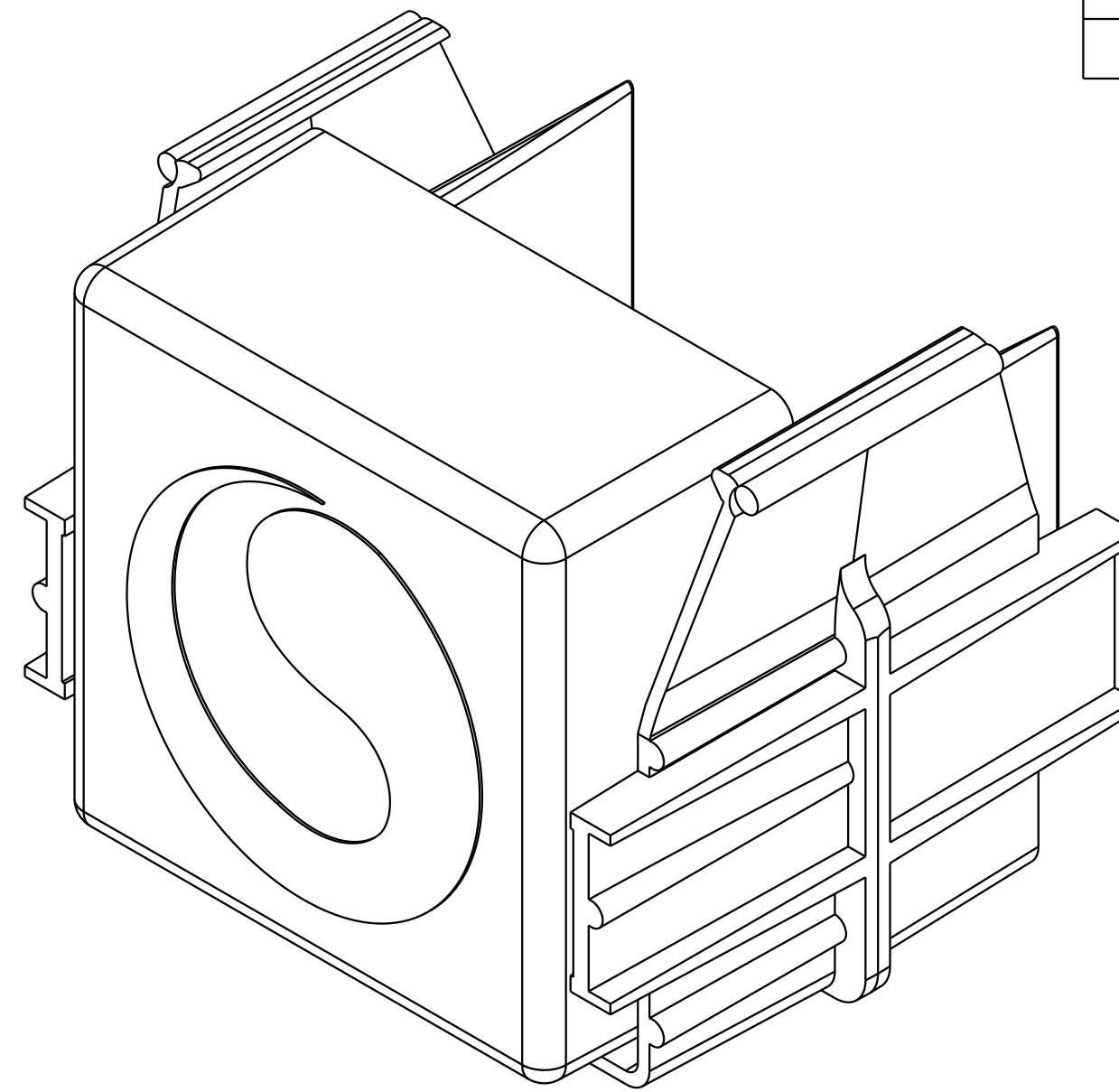
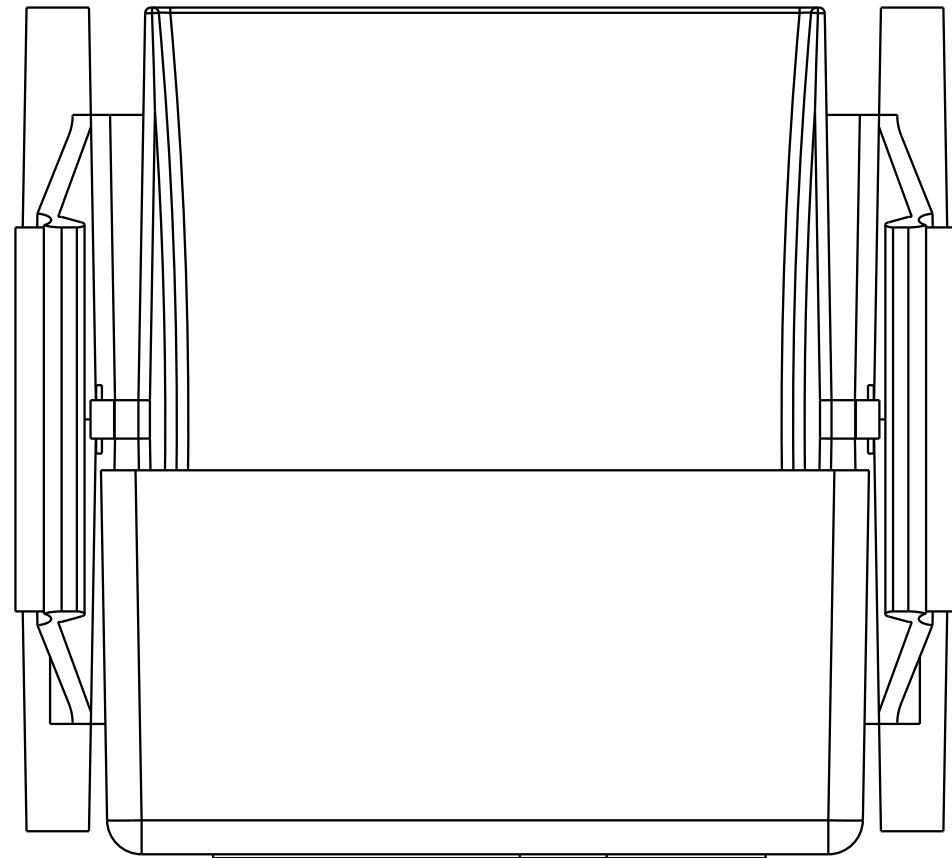


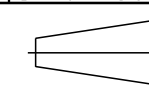
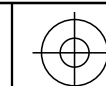
REV.	MCO	DWN	DATE
C	20261832	JSL	01-APR-09
D	40033141MCO	VFV	05-SEP-16



<b>FGSB-HMEC-C</b>	BLACK
<b>FGS-HMEC-C</b>	YELLOW
<b>CATALOG NO.</b>	COLOR

<small>© 2016 COMMSCOPE, INC. CONFIDENTIAL  NOTICE: THESE DRAWINGS AND SPECIFICATIONS  ARE THE PROPRIETARY PROPERTY OF  COMMSCOPE, INC. AND MAY BE USED ONLY FOR THE  SPECIFIC PURPOSE AUTHORIZED IN WRITING BY  COMMSCOPE, INC.</small>	<small>TITLE</small> <b>END COVER KIT 2X2  (INSTALLATION DRAWING)</b>	
	<small>ALL DIMS AND TOLERANCES ARE INCHES UNLESS OTHERWISE SPECIFIED</small> .xx:±N/A .xxx:±N/A ANGULAR:±N/A	<small>C</small> DRAWING NUMBER <b>1011466_ADC</b>
DO NOT SCALE DRAWING	ENGR: J. BRANDT DWN: J. BRANDT	SHT. 1 OF 1

**COMMSCOPE, INC.**



**DIMENSIONS IN INCHES  
THIRD ANGLE PROJECTION**