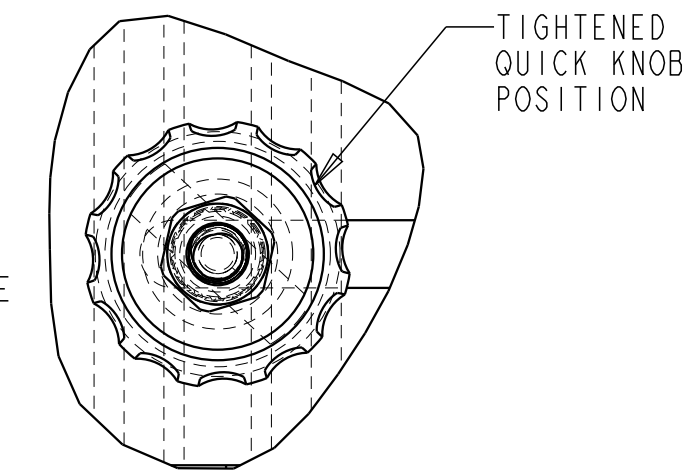
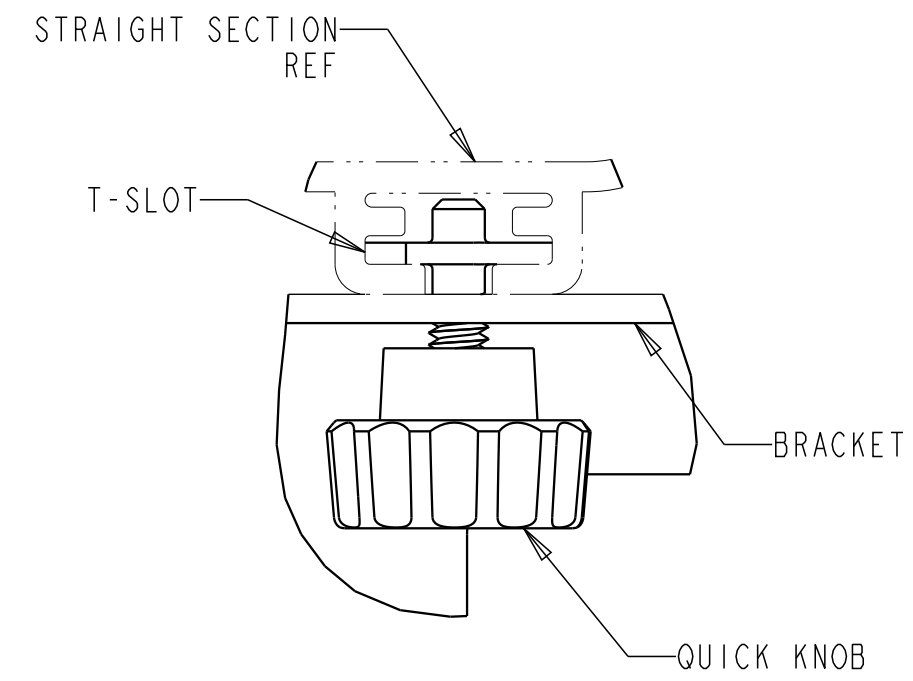
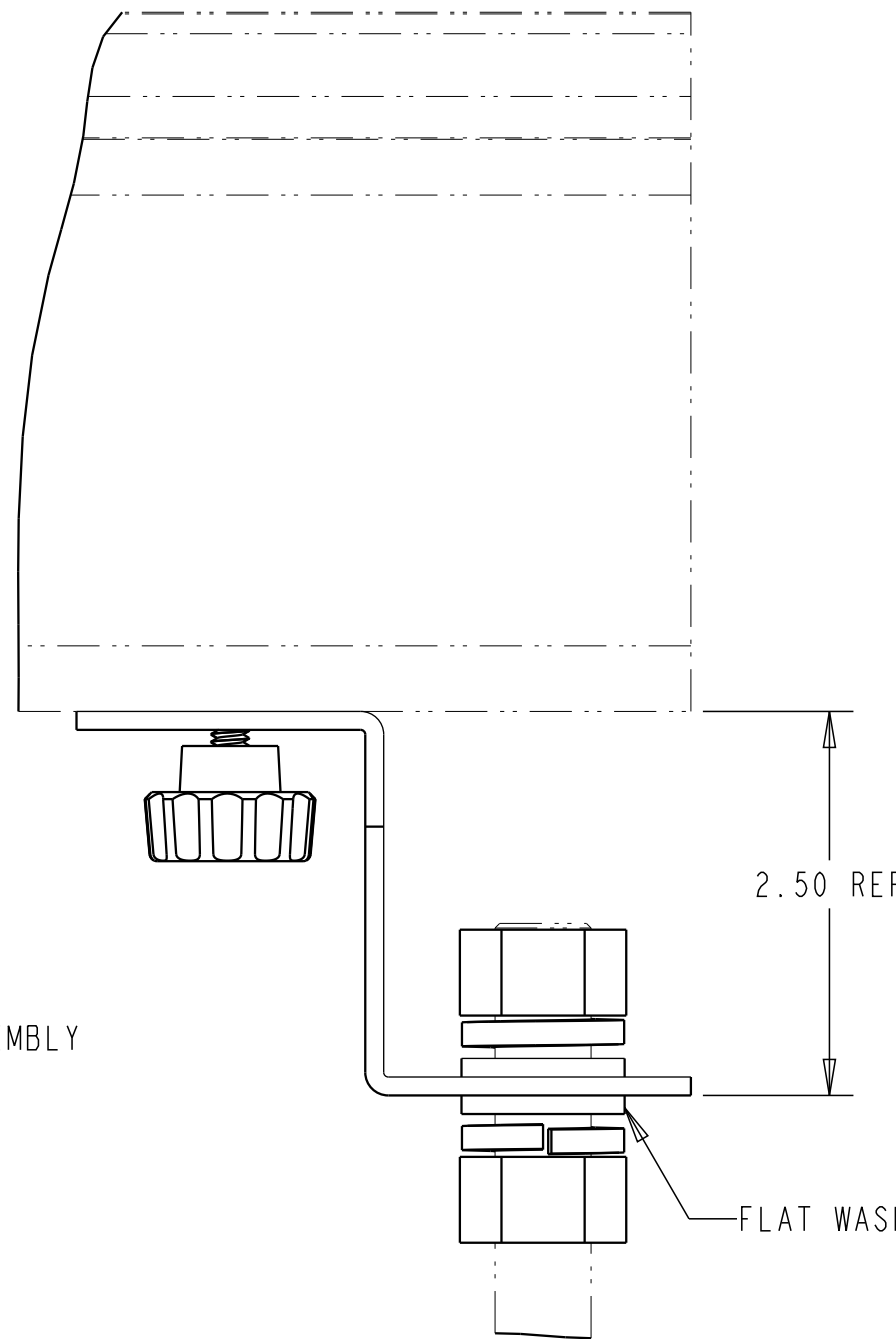
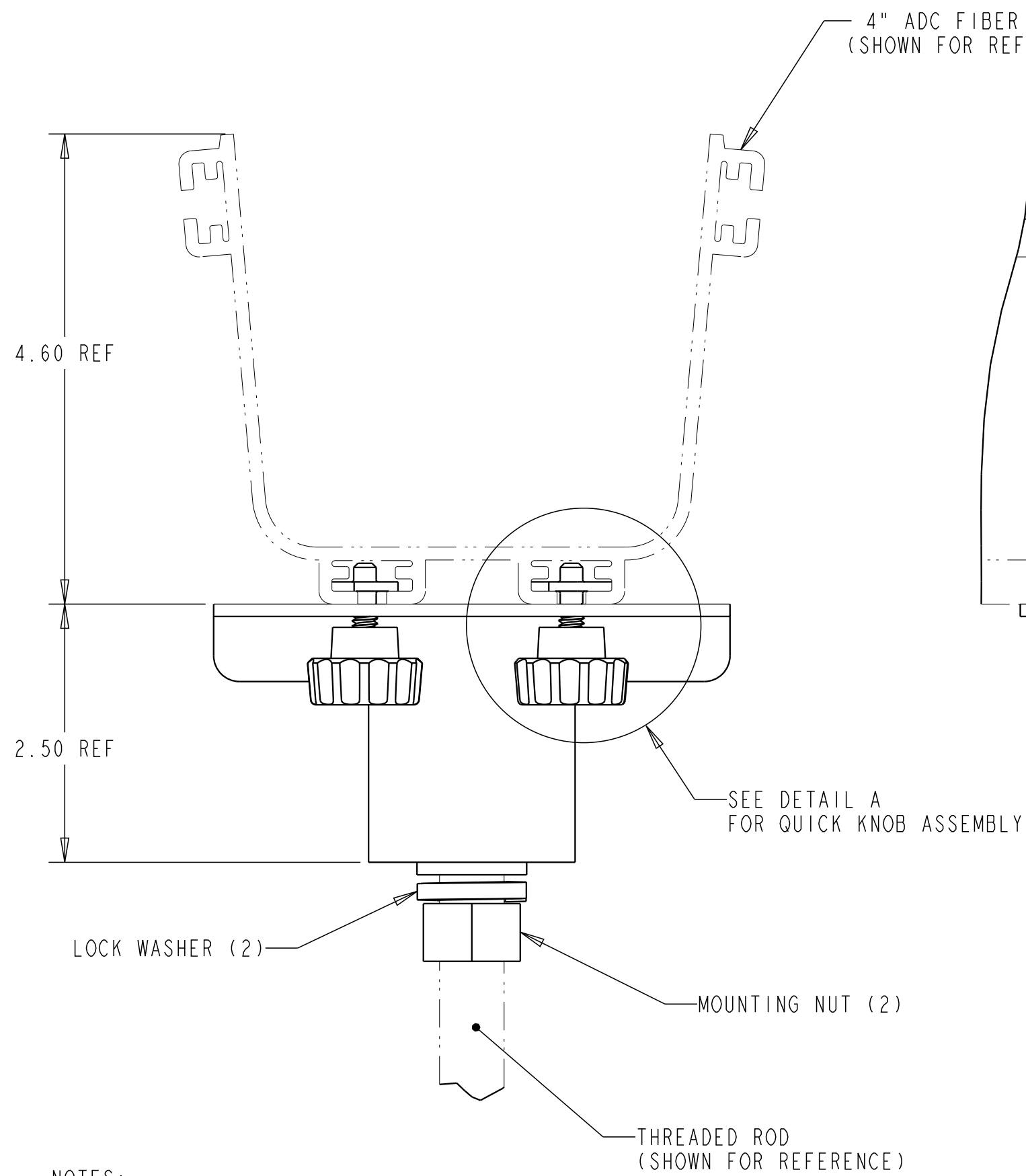


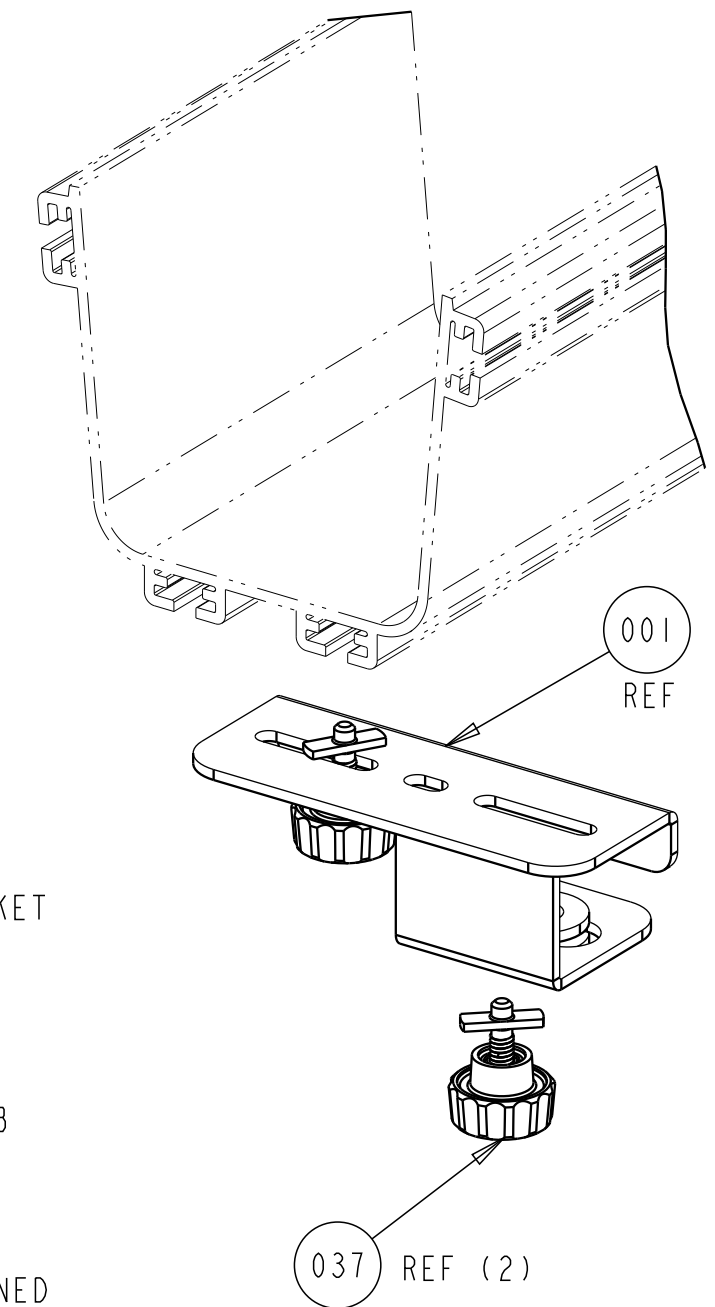
REV	MCO	DWN	DATE
B	20132598	JCS	24-MAR-03
C	40030119MCO	VFV	19-MAY-16

KEY

- COMPONENTS INCLUDED IN KIT.
- COMPONENTS NOT INCLUDED IN KIT.



DETAIL A
QUICK KNOB ASSEMBLY
SCALE 1.250



NOTES:

1. KIT INCLUDES THE FOLLOWING:

- (1) MOUNTING BRACKET
- (2) HEX NUT
- (2) SPLIT LOCK WASHER
- (2) ASSEMBLED QUICK KNOB
- (2) 1/4 - 20 JUNCTION MOUNT SCREW
- (2) FLAT WASHER

2. QUICK KNOB INSTALLATION INSTRUCTIONS:

INSERT QUICK KNOB THROUGH BRACKET, ROTATE 90°, AND INTO T-SLOT IN FGS STRAIGHT SECTION. ROTATE QUICK KNOB COUNTER CLOCKWISE SUCH THAT THE FLANGES EXTEND INTO T-SLOT. TIGHTEN KNOB. SEE DETAIL A.

3. SEE DETAIL B FOR JUNCTION MOUNTING OPTION. USE 1/4 INCH SCREWS INCLUDED WITH KIT.

- 4 FLAT WASHER IN THE KIT QUANTITY 2

4	FGS-HTUB-20MM	MOUNTING T-BRACKET 20mm ROD
	FGS-HTUB-16MM	MOUNTING T-BRACKET 16mm ROD
4	FGS-HTUB-14MM	MOUNTING T-BRACKET 14mm ROD
	FGS-HTUB-12MM	MOUNTING T-BRACKET 12mm ROD
4	FGS-HTUB-10MM	MOUNTING T-BRACKET 10mm ROD
	FGS-HTUB-5/8	MOUNTING T-BRACKET 5/8" ROD
	FGS-HTUB-1/2	MOUNTING T-BRACKET 1/2" ROD
	CATALOG NUMBER	DESCRIPTION

© 2016 COMMSCOPE, INC. CONFIDENTIAL
NOTICE: THESE DRAWINGS AND SPECIFICATIONS ARE THE PROPRIETARY PROPERTY OF COMMSCOPE, INC. AND MAY BE USED ONLY FOR THE SPECIFIC PURPOSE AUTHORIZED IN WRITING BY COMMSCOPE, INC.

ALL DIMS AND TOLERANCES .XX:±N/A
ARE INCHES UNLESS .XXX:±N/A
OTHERWISE SPECIFIED ANGULAR:±N/A

COMMSCOPE, INC.

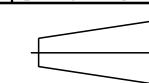
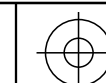
DO NOT SCALE DRAWING

ENGR: DEREK DERKS
DWN: CRAIG ZELASKO

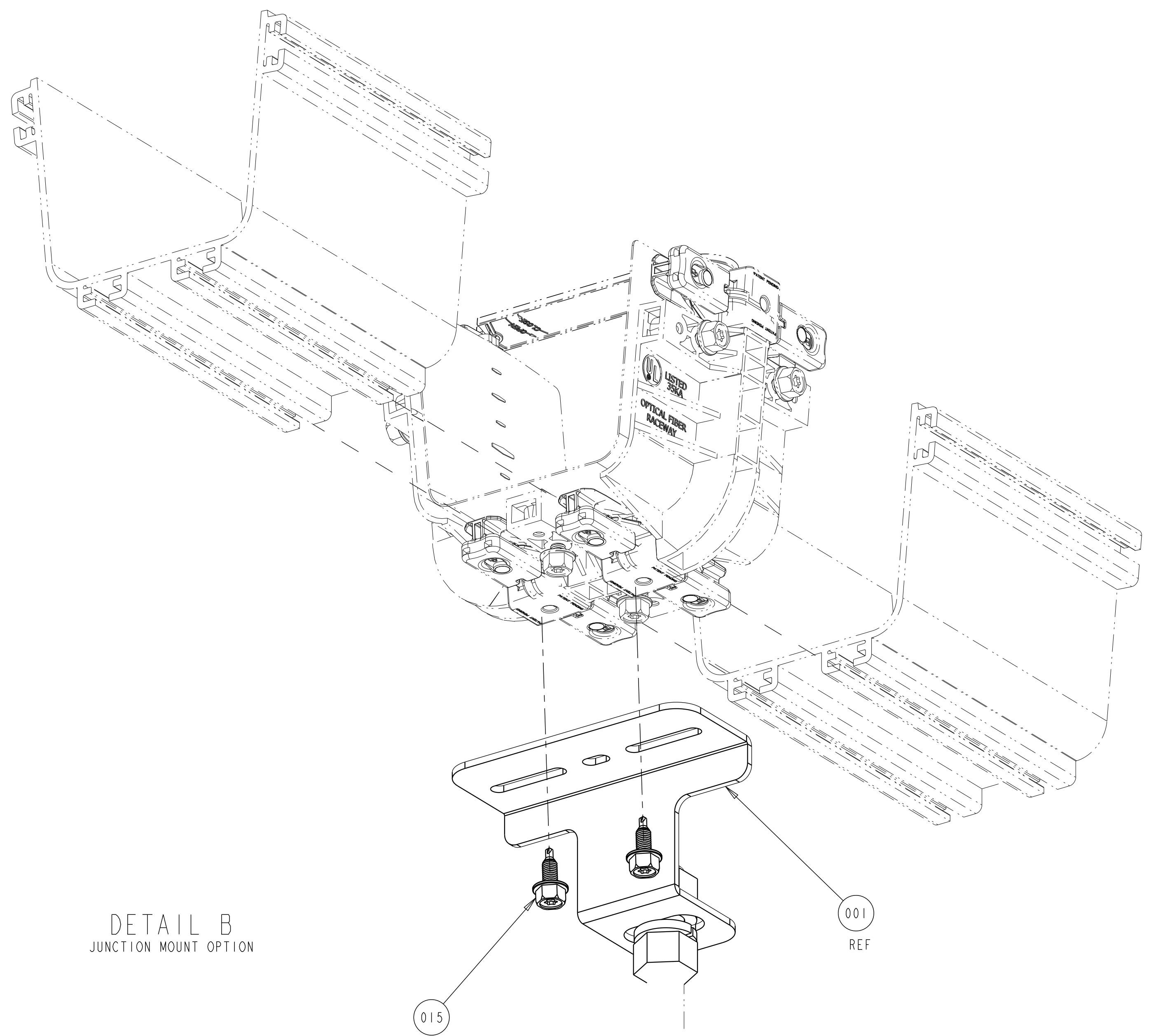
TITLE SUPPORT BRACKET
INSTALLATION DRAWING

C SIZE DRAWING NUMBER
1174944_ADC

SHT. 1 OF 2



DIMENSIONS IN INCHES
THIRD ANGLE PROJECTION



DETAIL B
JUNCTION MOUNT OPTION

015
REF (2)

001
REF

COMMSCOPE, INC.

© 2016 COMMSCOPE, INC. CONFIDENTIAL
 NOTICE: THESE DRAWINGS AND SPECIFICATIONS
 ARE THE PROPRIETARY PROPERTY OF
 COMMSCOPE, INC. AND MAY BE USED ONLY FOR THE
 SPECIFIC PURPOSE AUTHORIZED IN WRITING BY
 COMMSCOPE, INC.
 ALL DIMS AND TOLERANCES .XX:±N/A
 ARE INCHES UNLESS .XXX:±N/A
 OTHERWISE SPECIFIED ANGULAR:±N/A

TITLE		SUPPORT BRACKET INSTALLATION DRAWING	
C SIZE	DRAWING NUMBER	C REV	
	1174944_ADC		
DO NOT SCALE DRAWING		ENGR: CHARLES CAZETT DWN: CHRISTINE WIDNESS	SHT. 2 OF 2



**DIMENSIONS IN INCHES
THIRD ANGLE PROJECTION**