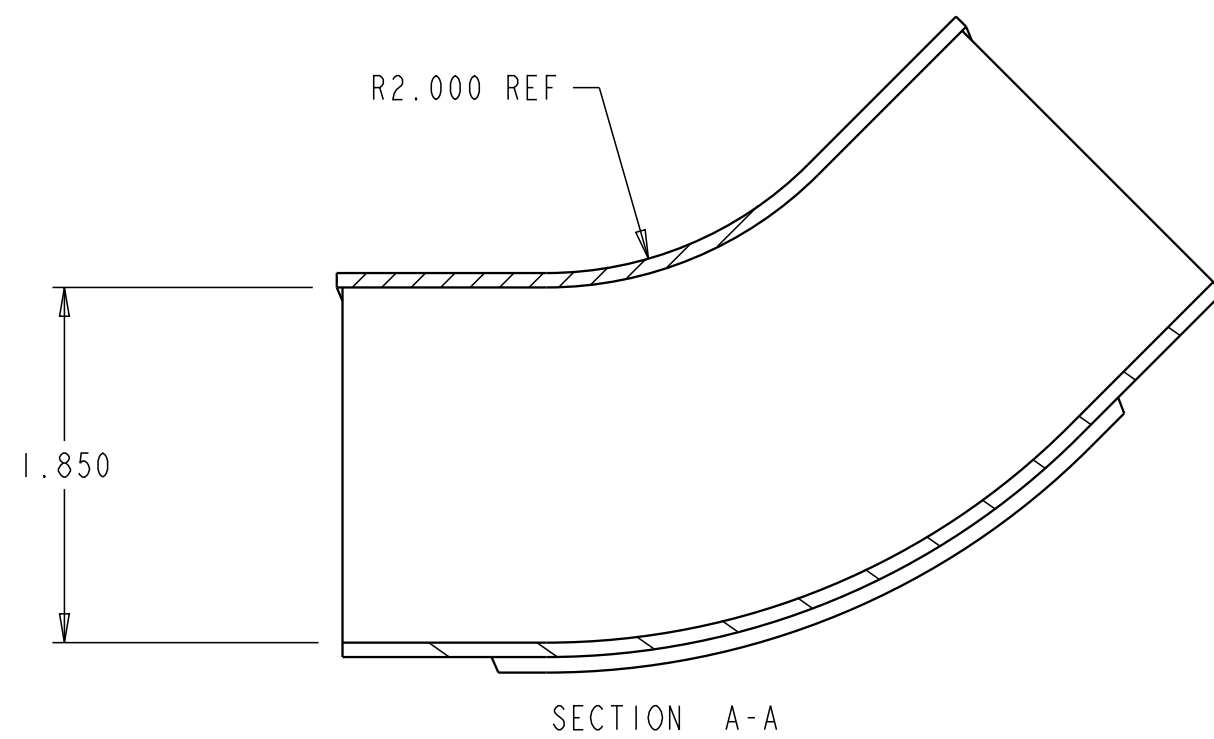
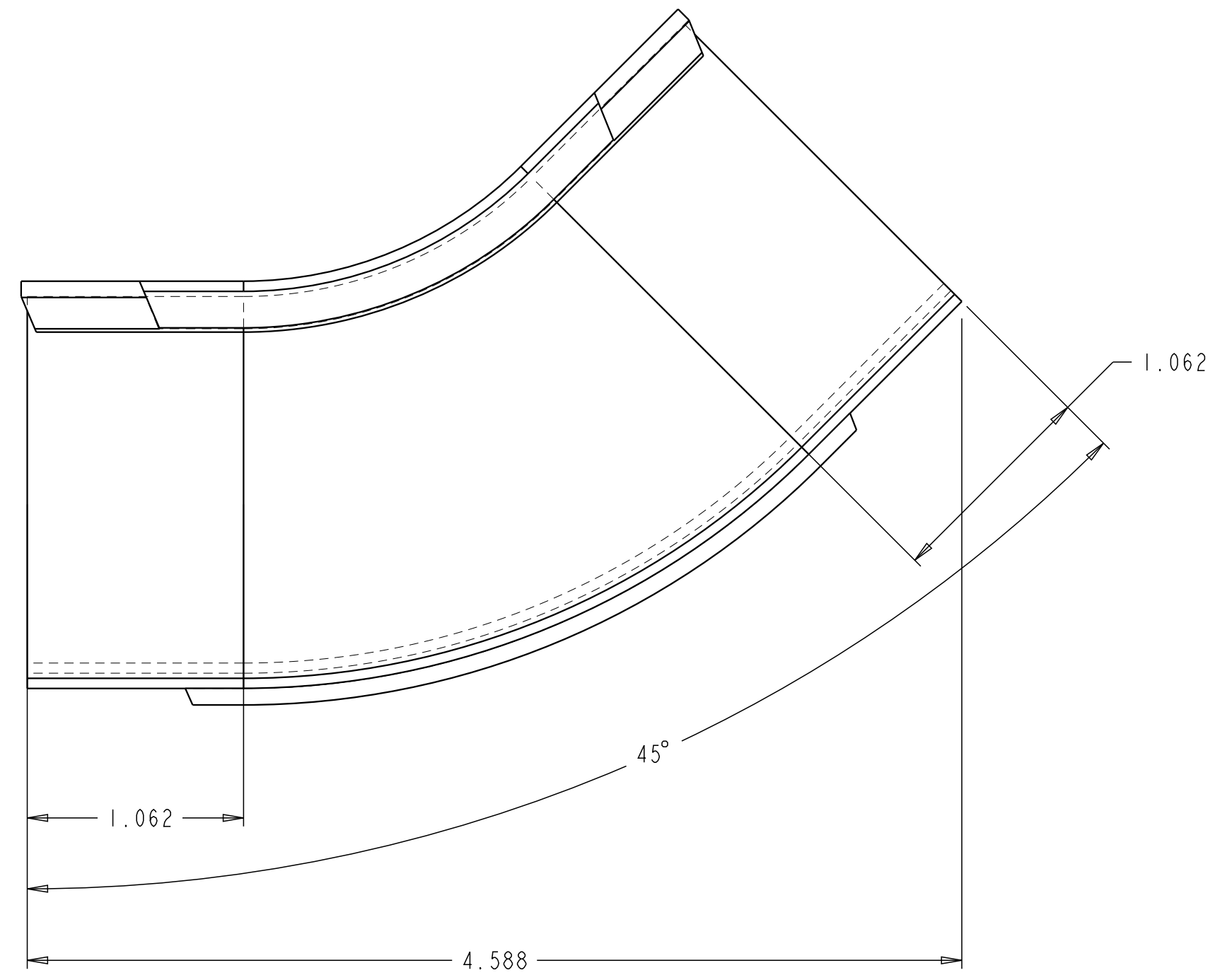
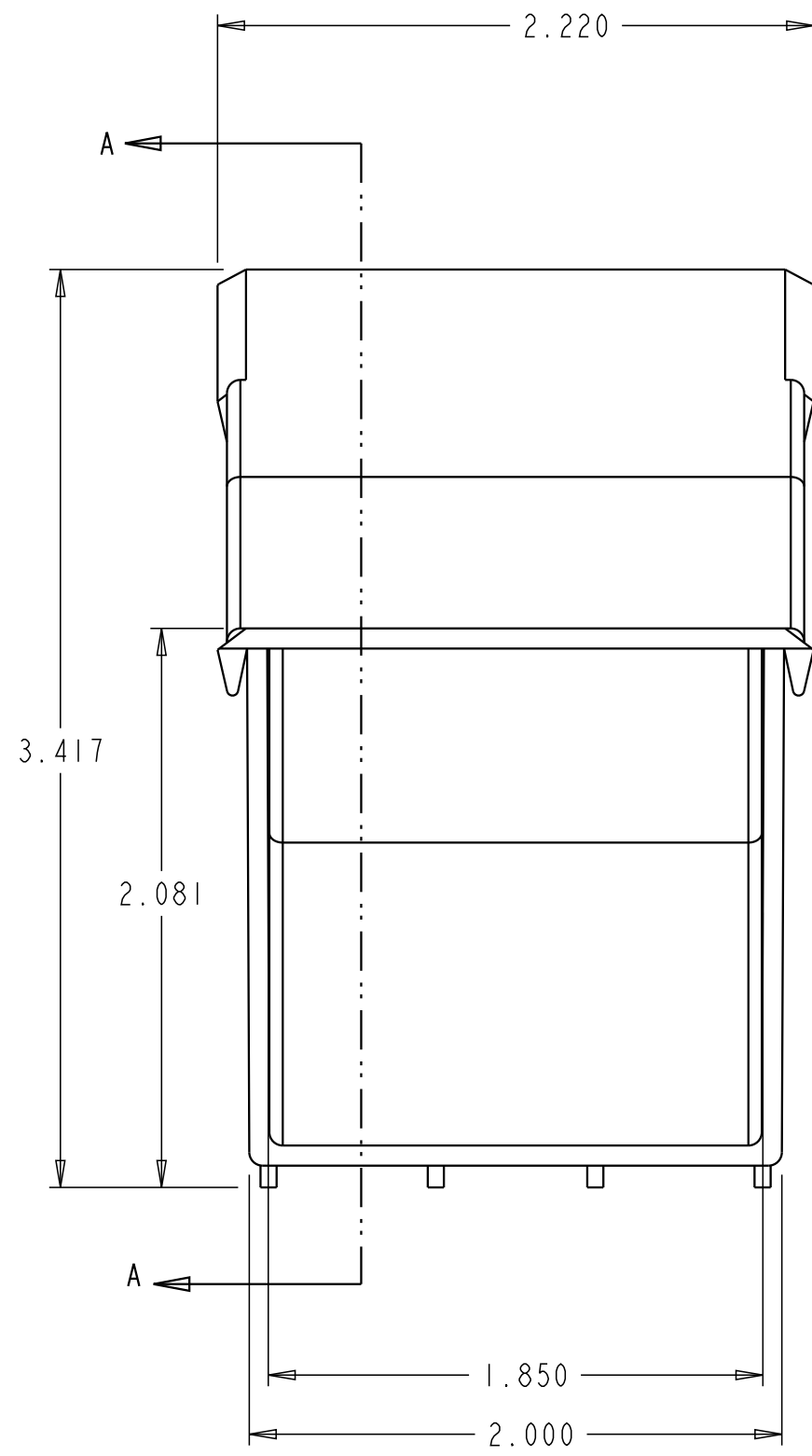


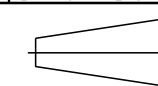
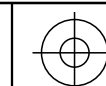
REV.	MCO	DWN	DATE
C	20239114	AED	02-MAY-08
D	40032067MCO	OAVL	11-JUL-16



FGSB-MU4A-C	BLACK
FGSG-MU4A-C	GRAY
FGS-MU4A-C	YELLOW
CATALOG NUMBER	COLOR

<small>© 2016 COMMSCOPE, INC. CONFIDENTIAL NOTICE: THESE DRAWINGS AND SPECIFICATIONS ARE THE PROPRIETARY PROPERTY OF COMMSCOPE, INC. AND MAY BE USED ONLY FOR THE SPECIFIC PURPOSE AUTHORIZED IN WRITING BY COMMSCOPE, INC.</small>	TITLE FIBERGUIDES 45° COVERED UP ELBOW INSTALLATION DRAWING	
	ALL DIMS AND TOLERANCES .XX:±REF ARE INCHES UNLESS .XXX:±REF OTHERWISE SPECIFIED ANGULAR:±REF	C SIZE DRAWING NUMBER 4-29000-3008
DO NOT SCALE DRAWING	ENGR: R. HENNEBERGER DWN: D. CARPENTER	SHT. 1 OF 1

COMMSCOPE, INC.



DIMENSIONS IN INCHES
THIRD ANGLE PROJECTION