

8

7

6

5

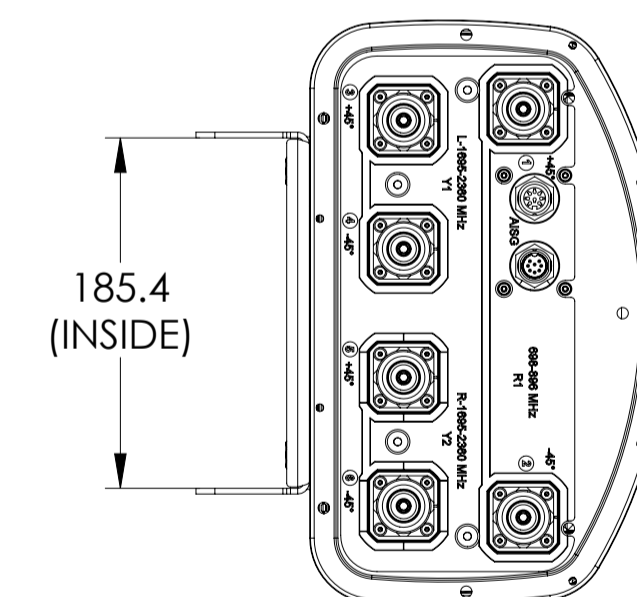
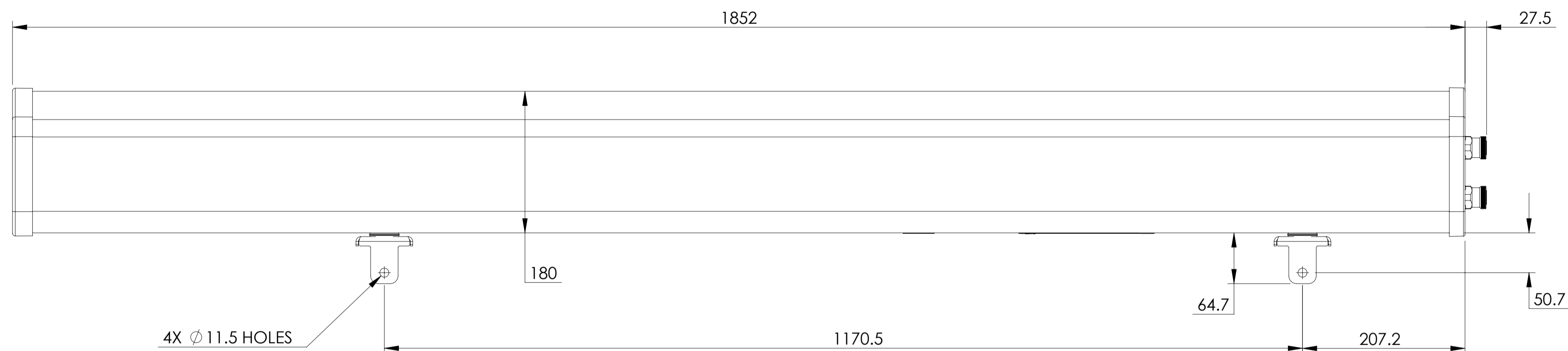
4

3

2

1

REVISIONS			
REV	DESCRIPTION	DATE	APPROVED
A	RELEASE TO PRODUCTION	24JUL13	JLS GJM JCV
E	ECR 800006971: UPDATE DRAWING WITH LATEST MODEL.	28FEB15 HWW	EB/GD
F	ECR 800007099: UPDATE DRAWING WITH LATEST MODEL.	23MAR15 YMH	S.LIU/JIHE
G	ECR 800008550: UPDATE DRAWING WITH LATEST MODEL.	24JUN15 YMH	S.LIU/JIHE
H	ECR 40159970CMO: UPDATE DRAWING WITH LATEST MODEL.	09FEB23 RY	PL.TANG/HANSEN.W



SBNHH-1D65B
 SBNHH-1D65B.TMO
 SBNHH-1D65B-SR

MATERIAL N/A	DENSITY: N/A MASS: N/A	UNLESS OTHERWISE SPECIFIED DIMENSIONS ARE IN MILLIMETERS INTERPRET PER ISO STANDARDS HANDBOOK, TECHNICAL DRAWINGS, VOLUMES 1 & 2, THIRD EDITION (2002)	WESTCHESTER, IL. 60154 U.S.A.	
FINISH N/A	TOLERANCES 0 PLACE X± 1 PLACE .X± 2 PLACE .XX± ANGLES ± ALL SURFACES ✓	THIRD ANGLE PROJECTION		
		PRODUCT DRAWING		
DRAWN BY JLS 10MAY13 ECN 40159970CMO		SIZE A1	CAGE CODE 84147	DOCUMENT NO. SBNHH-1D65B-L
NOTICE: These drawings and specifications are the proprietary property of ANDREW CORPORATION and may be used only for the specific purpose authorized in writing by Andrew.		AUTH. GROUP BSA	MODEL	DRAWING
		VERSION 12	STATUS RE	REVISION N
		VERSION 07	STATUS RE	REVISION H
				SHEET 1 OF 1

8

7

6

5

4

3

2

1