

RF-PM86



Non-Penetrating Parapet Roof Mount, 2-3/8 in OD x 86 in adjustable pipe

Product Classification

Product Type Rooftop mount

General Specifications

Mounting Non-penetrating

Pipe, quantity 1

Dimensions

Height 2,184.4 mm | 86 in

Width 914.4 mm | 36 in

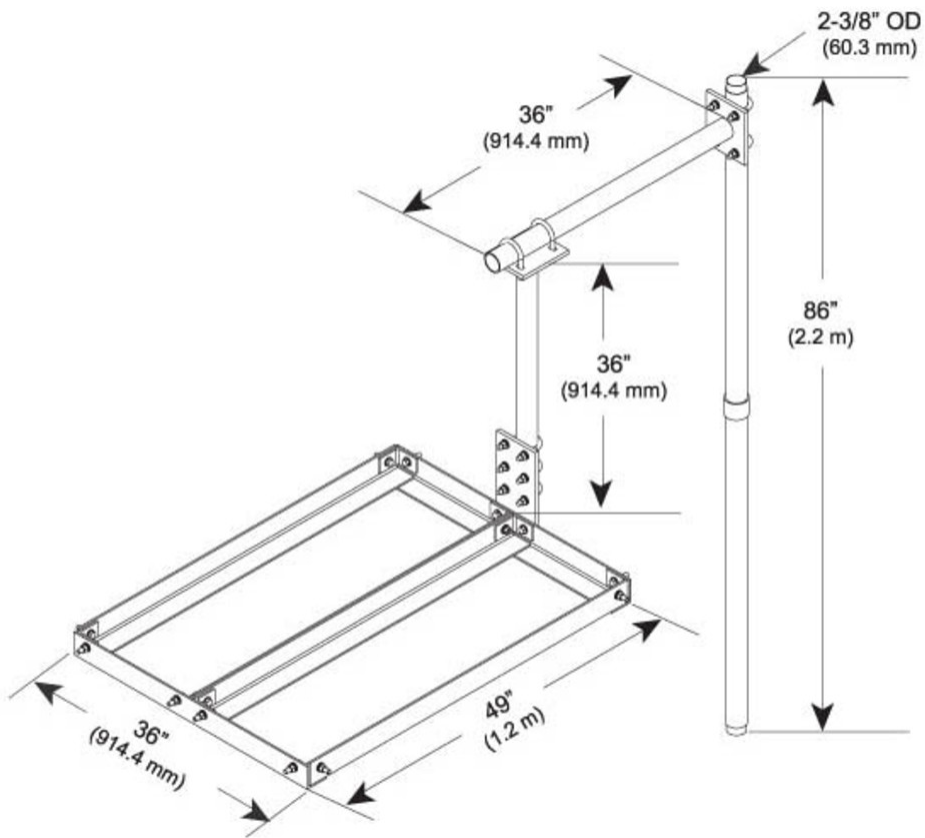
Length 1.25 m | 4.1 ft

Pipe Length 2,184.4 mm | 86 in

Pipe Outer Diameter 60.96 mm | 2.4 in

RF-PM86

Outline Drawing



Material Specifications

Material Type Aluminum

Mechanical Specifications

Wind Rating For Specifications, please contact steelproducts@commscope.com or call 800-255-1479

Packaging and Weights

Included Hardware | Mount

Packaging quantity 1

Weight, net 33 kg | 72.752 lb

Regulatory Compliance/Certifications

Agency **Classification**

RF-PM86

CHINA-ROHS	Below maximum concentration value
ISO 9001:2015	Designed, manufactured and/or distributed under this quality management system
REACH-SVHC	Compliant as per SVHC revision on www.commscope.com/ProductCompliance
ROHS	Compliant
UK-ROHS	Compliant



* Footnotes

Wind Rating BWS—Base Wind Speed; FBC—Florida Building Code