

# TP-G238-96

---



Universal Tripod Mount, 2-3/8 in OD x 96 in pipe

## Product Classification

**Product Type** Tripod mount

## General Specifications

**Mounting** Surfaces

**Note** One 6 ft microwave antenna using 4-1/2 in pipe mast

**Pipe, quantity** 1

## Dimensions

**Height** 2,438.4 mm | 96 in

**Width** 1524 mm | 60 in

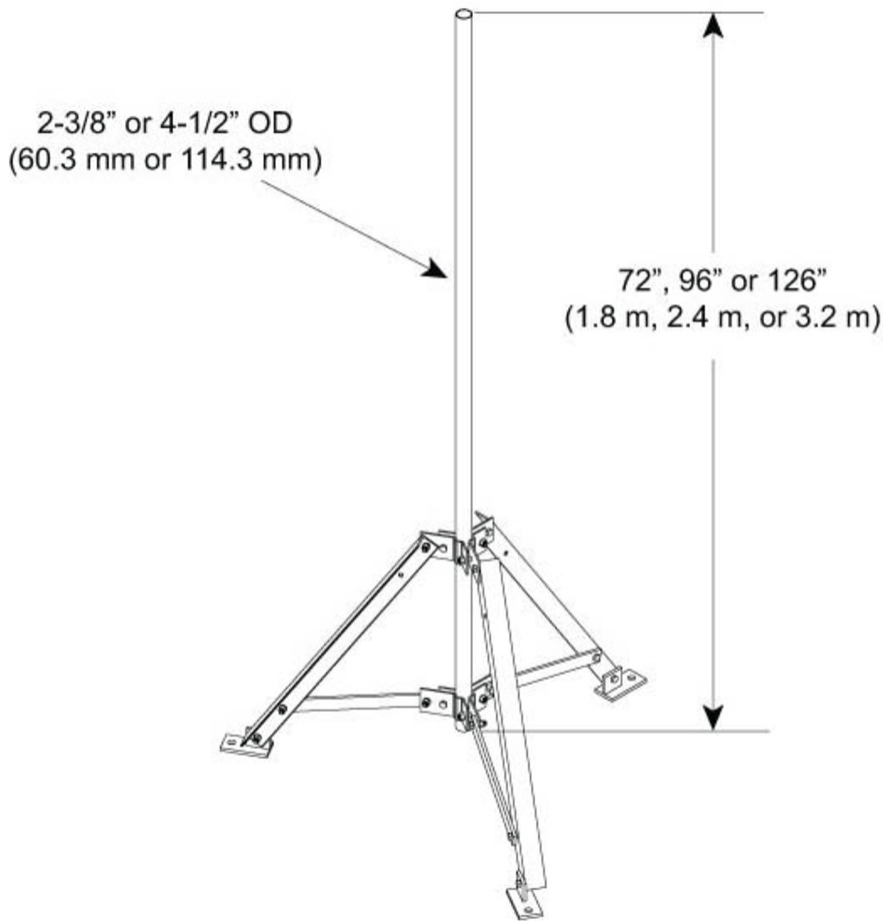
**Length** 1.524 m | 5 ft

**Pipe Length** 2,438.4 mm | 96 in

**Pipe Outer Diameter** 60.96 mm | 2.4 in

# TP-G238-96

## Outline Drawing



## Material Specifications

**Material Type** Hot dip galvanized steel

## Mechanical Specifications

**Wind Rating** 85 mph (BWS) at 100 ft AGL using Exposure C per UBC

**Wind Rating Test Method** TIA/EIA-222

## Packaging and Weights

**Included** Mount, with or without pipe

**Packaging quantity** 1

# TP-G238-96

---

**Weight, net** 64.9 kg | 143.08 lb

## Regulatory Compliance/Certifications

| <b>Agency</b> | <b>Classification</b>  |
|---------------|--|
| ISO 9001:2015 | Designed, manufactured and/or distributed under this quality management system |

## Included Products

- MT-651-96 – Plain End Pipe, 2-3/8 in OD x 96 in .120" A500C 46Ksi
- TP-G238-B – Universal Tripod Mount, base only, pipe not included

## \* Footnotes

**Wind Rating** BWS—Base Wind Speed; FBC—Florida Building Code

# MT-651-96

---



Plain End Pipe, 2-3/8 in OD x 96 in .120" A500C 46Ksi

## Product Classification

**Product Type** Plain end pipe

## General Specifications

**Pipe, quantity** 1

## Dimensions

**Height** 60.96 mm | 2.4 in  
**Width** 60.96 mm | 2.4 in  
**Length** 2,438.4 mm | 96 in  
**Pipe Length** 2,438.4 mm | 96 in  
**Pipe Outer Diameter** 60.96 mm | 2.4 in  
**Material Thickness** 3.048 mm | 0.12 in

## Material Specifications

**Material Type** A500 | Hot dip galvanized steel  
**Material Grade** C  
**Material Strength** 46 KSI

## Packaging and Weights

**Included** Pipe  
**Packaging quantity** 1  
**Weight, net** 10 kg | 22.046 lb

## Regulatory Compliance/Certifications

| Agency        | Classification   |
|---------------|--|
| CHINA-ROHS    | Above maximum concentration value  |
| ISO 9001:2015 | Designed, manufactured and/or distributed under this quality management system |

# MT-651-96

---

|         |                    |
|---------|--------------------|
| ROHS    | Compliant/Exempted |
| UK-ROHS | Compliant/Exempted |



# TP-G238-B

---



Universal Tripod Mount, base only, pipe not included

## Product Classification

**Product Type** Tripod mount

## General Specifications

**Mounting** Surfaces

**Note** One 6 ft microwave antenna using 4-1/2 in pipe mast

**Pipe, quantity** 0

## Dimensions

**Height** 838.2 mm | 33 in

**Width** 1524 mm | 60 in

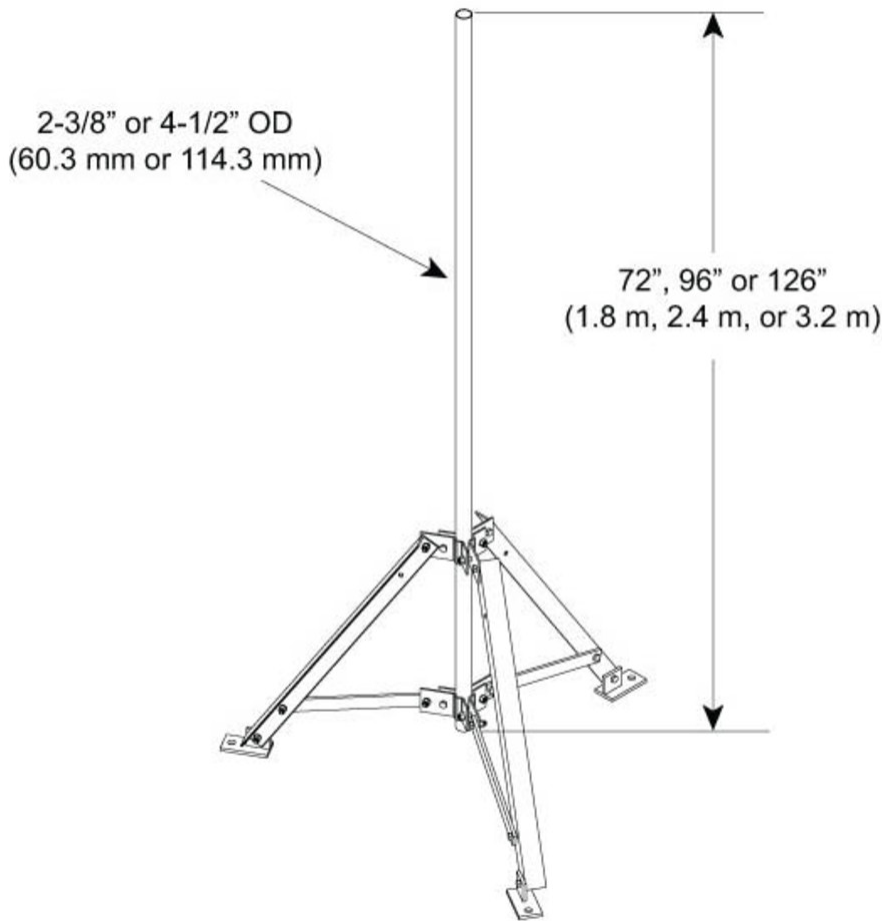
**Length** 1.524 m | 5 ft

**Pipe Length** 0 mm | 0 in

**Pipe Outer Diameter** 60.96 mm | 2.4 in

# TP-G238-B

## Outline Drawing



## Material Specifications

**Material Type** Hot dip galvanized steel

## Mechanical Specifications

**Wind Rating** 85 mph (BWS) at 100 ft AGL using Exposure C per UBC

**Wind Rating Test Method** TIA/EIA-222

## Packaging and Weights

**Included** Mount, with or without pipe

**Packaging quantity** 1

# TP-G238-B

---

**Weight, net** 51.9 kg | 114.42 lb

## Regulatory Compliance/Certifications

| <b>Agency</b> | <b>Classification</b>  |
|---------------|--|
| ISO 9001:2015 | Designed, manufactured and/or distributed under this quality management system |

### \* Footnotes

**Wind Rating** BWS—Base Wind Speed; FBC—Florida Building Code