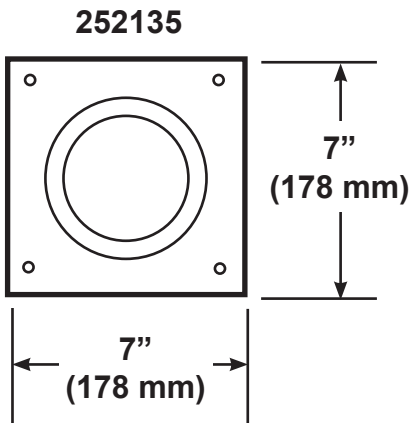


Wall/Roof Feed-through Plates
for HELIAX® Cables

Bulletin 237571 Revision G Page 1 of 2

4" (102 mm) Ports

Part #	Style	Ports	Wall Opening Size, in (mm)		Overall Size, in. (mm)	
			Width	Height	Width	Height
252135	1X1	1	4" (102 mm)	4" (102 mm)	7" (178 mm)	7" (178 mm)
252134	1X1	1	4" (102 mm)	4" (102 mm)	5.5" (140 mm)	5.5" (140 mm)
204673-2A	1X2	2	10" (254 mm)	4" (102 mm)	15.5" (394 mm)	9.5" (241 mm)
204673-3	1X3	3	15" (381 mm)	4" (102 mm)	20" (508 mm)	9.5" (241 mm)
204673-4	1X4	4	20.5" (521 mm)	4" (102 mm)	25.5" (648 mm)	9.5" (241 mm)
252137	2X3	6	15" (381 mm)	9.5" (241 mm)	23" (584 mm)	17.5" (445 mm)
204673-8	2X4	8	20.5" (521 mm)	9.5" (241 mm)	25.5" (648 mm)	17.5" (445 mm)
252139	3X4	12	20.5" (521 mm)	15" (381 mm)	25.5" (648 mm)	25.5" (648 mm)
204673-20	4X5	20	26" (660 mm)	20.5" (521 mm)	31" (787 mm)	28.5" (724 mm)
204673-24	4X6	24	31.5" (521 mm)	20.5" (521 mm)	39.5" (1003 mm)	31" (787 mm)



Snap-in Entry Port Cap, 4" (102 mm)
Part Number: [CAP-4](#)



ENTRY-PANEL-INSERTS-SERIES
[Product link](#)



ENTRY-PANEL-KIT-SERIES
[Product link](#)



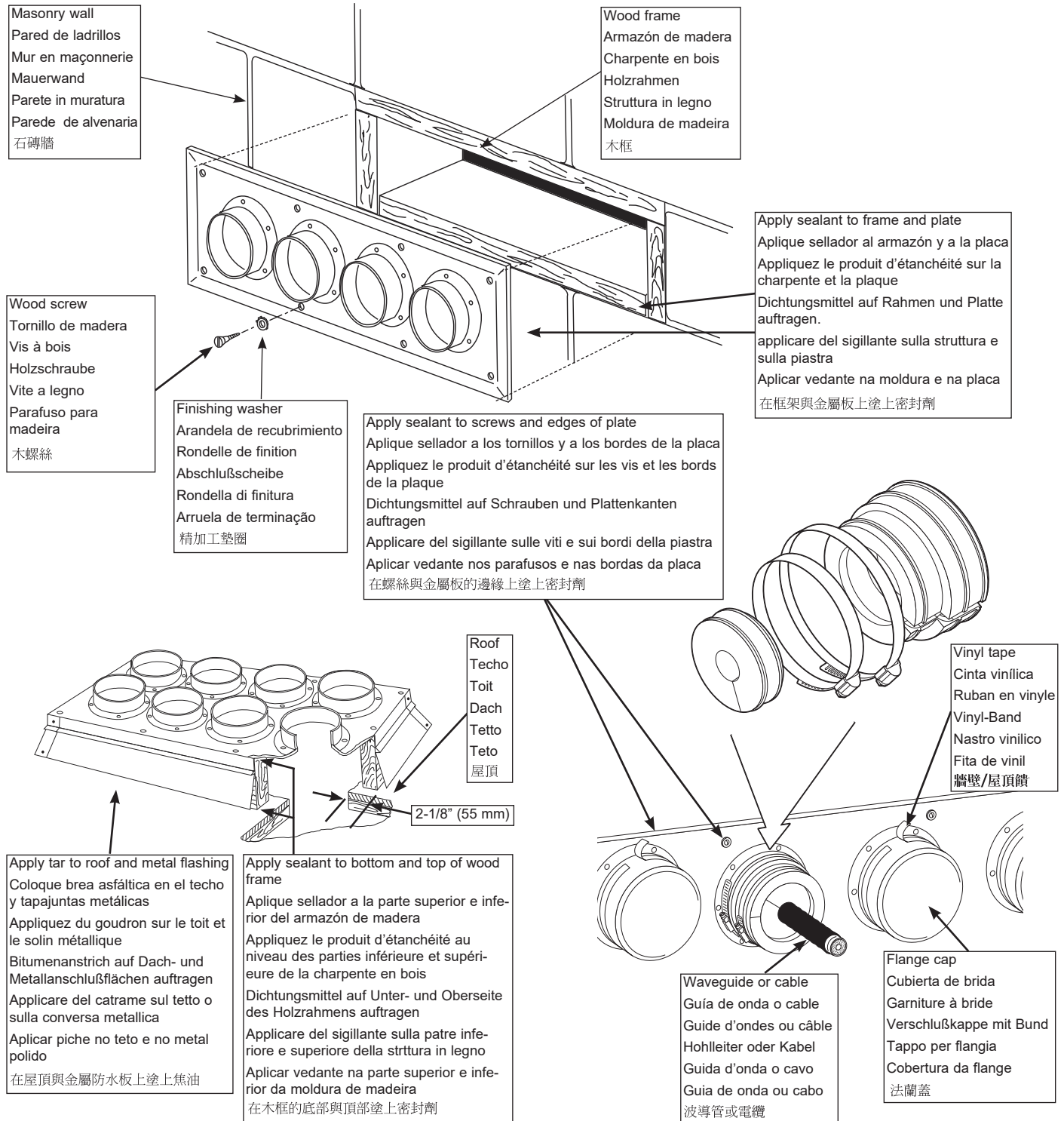
SEC-SERIES-ENTRY-PANELS
[Product link](#)



Plastic screw anchor for masonry, metal, or plastic wall: requires 5/16"x1-3/8" (8x35 mm) hole
 La fijación de tornillos de plástico para paredes de ladrillos, metálicas o plásticas: requiere un orificio de 5/16"x1-3/8" (8x35 mm)
 Cheville d'ancrage en plastique pour murs en maçonnerie, métal ou plastique : orifice de 5/16"x1-3/8" (8x35 mm) nécessaire
 Kunststoffschraubenanker für Mauer-, Metall- oder Kunststoffwände: Bohrloch 8x35 erforderlich
 Le viti di ancoraggio in plastica per pareti in muratura, metallo o plastica richiedono fori da 5/16"x1-3/8" (8x35 mm)
 Parafuso plástico de ancoragem para paredes de alvenaria, plástico ou metal: requer um furo de 5/16"x1-3/8" (8x35 mm)
 用於石磚、金屬或塑膠牆的塑膠螺形地錨：要求孔的大
 小為 5/16 英寸 x 1-3/8 英寸 (8 x 35 公釐)

Wall/Roof Feed-through Plates for HELIAX® Cables

Bulletin 237571 Revision G Page 2 of 2



CommScope

3642 E US Highway 70, Claremont, NC 28610 USA
(828) 324-2200 (800) 982-1708
www.commscope.com

Technical Support

+1 888 297 6433, Option 3 (Toll Free US and Canada)
+1 828 323 4220, Option 3 (local)
<https://www.commscope.com/wisupport> (open a ticket)

Notice: CommScope disclaims any liability or responsibility for the results of improper or unsafe installation, inspection, maintenance, or removal practices.

Aviso: CommScope no acepta ninguna obligación ni responsabilidad como resultado de prácticas incorrectas o peligrosas de instalación, inspección, mantenimiento o retiro.

Avis: CommScope décline toute responsabilité pour les conséquences de procédures d'installation, d'inspection, d'entretien ou de retrait incorrectes ou dangereuses.

Hinweis: CommScope lehnt jede Haftung oder Verantwortung für Schäden ab, die aufgrund unsachgemäßer Installation, Überprüfung, Wartung oder Demontage auftreten.

Atenção: A CommScope abdica do direito de toda responsabilidade pelos resultados de práticas inadequadas e sem segurança de instalação, inspeção, manutenção ou remoção.

Avvertenza: CommScope declina eventuali responsabilità derivanti dall'esecuzione di procedure di installazione, ispezione, manutenzione e smontaggio improprie o poco sicure.

注意: CommScope 公司申明對於不恰當或不安全的安裝、檢驗、維修或拆卸操作所導致的後果不負任何義務和責任