

4

3

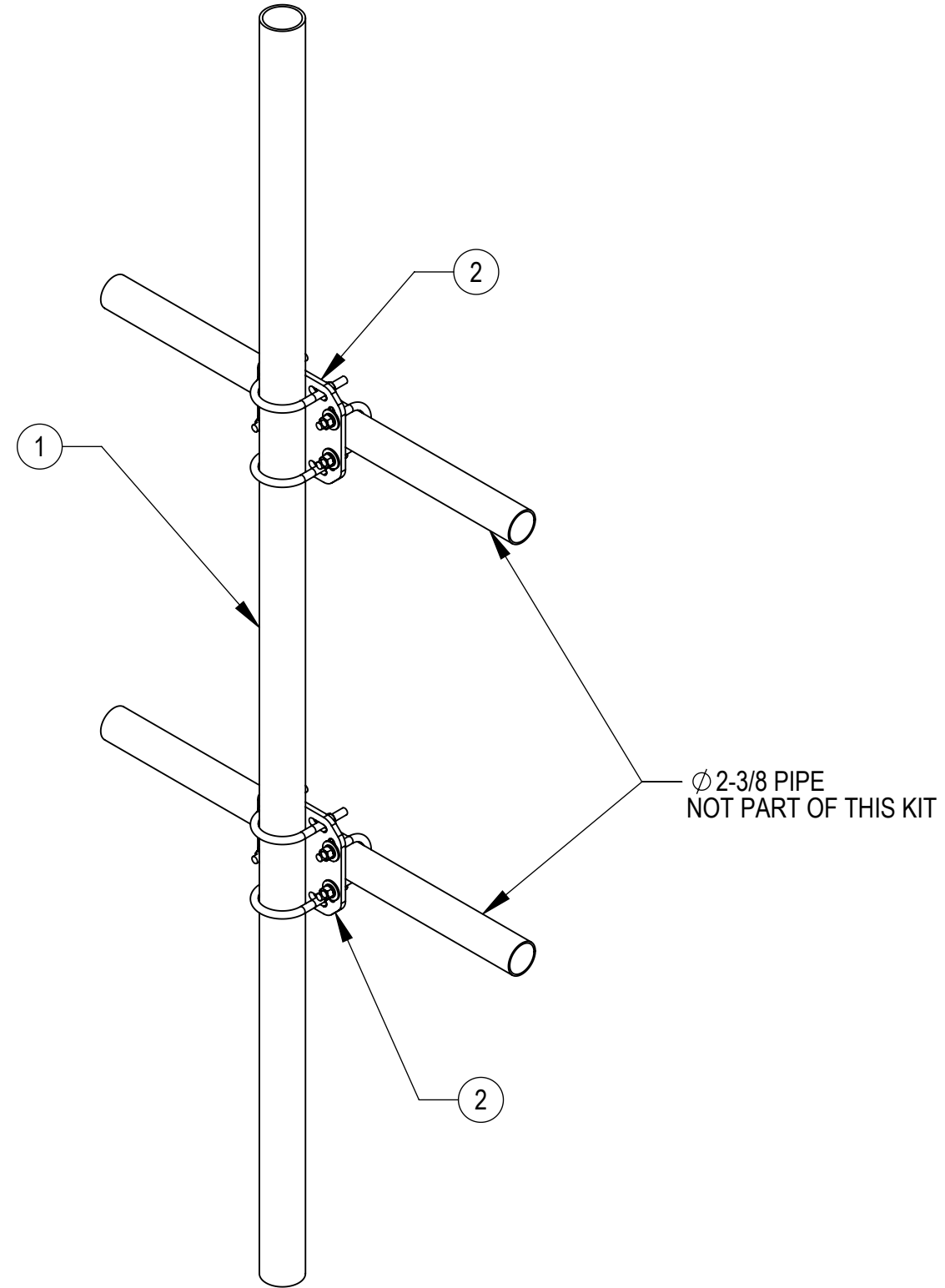
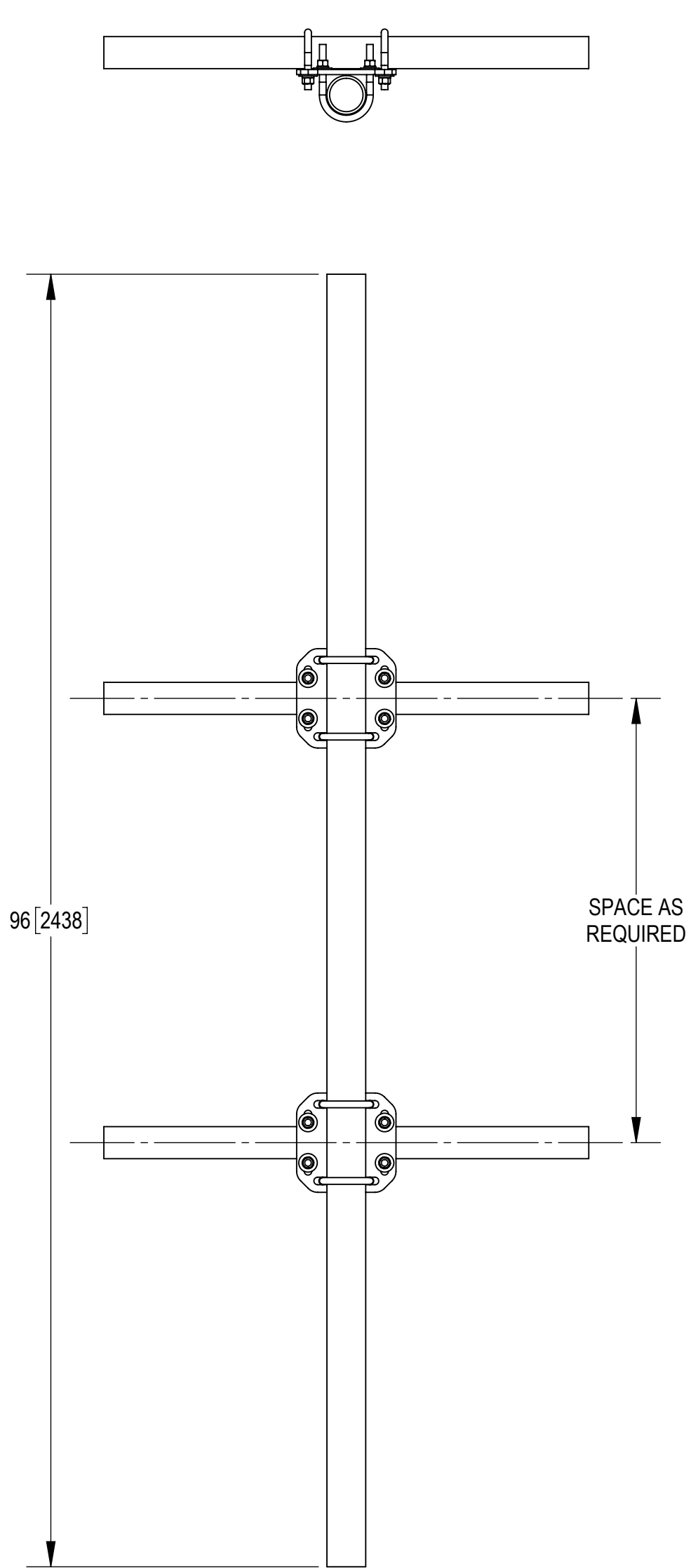
2

1

NOTES:

- 1. GENERAL
 - 1.1 ALL METRIC DIMENSIONS ARE IN BRACKETS
 - 1.2 MARK PART WITH IDENTIFICATION NUMBER
- 2. DESIGN NOTES
 - 2.1 FOR LOADING SEE ENGINEERING SPEC SHEET
- 3. MANUFACTURING/SPECIAL REQUIREMENTS
- 4. TEST
- 5. PACKAGING
 - 5.1 PACKAGING SHALL MEET COMMSCOPE REQUIREMENTS PER DOCUMENT IS-PL-3005

| REVISIONS | | | | |
|-----------|-------|-----------------|-----|-----------|
| REV. | ECN | DESCRIPTION | BY | DATE |
| A | 12678 | INITIAL RELEASE | RJC | 5/21/2021 |



| | | | | | | | | | | |
|---|-------------|--------------|------------|-------------|---|-------------------------|--------|-------------------------|--|-----------------|
| COMMSCOPE, INC. OF NORTH CAROLINA | | | | | | | | | | |
| TOLERANCES | | | | | SAP MATERIAL MASTER | | | | | |
| 1 PLACE .X ± | | | SEE NOTE 1 | | 3 PLACE .XXX ± | | | SF-PK-278-DSHKIT | | |
| 2 PLACE .XX ± | | ANGLES ± | | | | | | | | |
| FINISH GALV A123 | | | | | MATERIAL A1011/A1018 | | | | | |
| UNLESS OTHERWISE SPECIFIED DIMENSIONS ARE IN INCHES INTERPRET PER ANSI Y 14.5M-1994 | CE | RJC | NAME | DATE | KIT, SF 96" ANTENNA PIPE W/ MOUNTING HDW | | | | | |
| | RW | BCAMPBELLCON | | 07/01/2021 | | | | | | |
| | AD | BCROSS | | 07/01/2021 | | | | | | |
| | RE | BCROSS | | 07/01/2021 | | | | | | |
| | ECN 12678PC | | | | SCALE | DOCUMENT NO. | | | | |
| | | | | 1:10 | | SF-PK-278-DSHKIT | | | | |
| SIZE | Auth Group | INSL | MODEL | | | DRAWING | | | | SHEET 1 OF 1 |
| C | | | VERSION | STATUS | REVISION | VERSION | STATUS | REVISION | | |
| | | | 00 | RE | A | 00 | RE | A | | |

| ITEM NO. | PART NUMBER | DESCRIPTION | QTY. |
|----------|-------------|--|------|
| 1 | MT54696 | Ø 2.875" O.D. X 96 SCH40 PIPE | 1 |
| 2 | XP-2025 | CROSSOVER PLATE KIT, 2-3/8 OD X 2-7/8 OD | 2 |

| | | |
|--------------|----------|---------------------|
| DENSITY | | lbs/in ³ |
| MASS | 79.541 | lbs |
| VOLUME | 280.105 | in ³ |
| SURFACE AREA | 3125.538 | in ² |
| HEIGHT | | |
| LENGTH | | |
| WIDTH | | |

4

3

2

1