

FDH4000-CLOSURE

Base Product



FDH 4000, Fiber Distribution Hub, Closure style

- Thermoplastic construction provides UV stabilization, flame retardancy, and chemical & impact resistance
- Provides air/water tight seal ensuring protection from flooding and fungus
- Unsurpassed reliability makes it ideal for aerial and below grade applications
- Supports diverse Plug-and-Play splitter and xWDM module Configurations

All-weather solution. Anywhere installation.

When deployed below grade, the sealed FDH 4000 closure can reduce permit and labor challenges. An additional benefit is that, unlike traditional FDH cabinets, this closure can withstand severe storms and flooding—providing an allweather solution that ensures network uptime in the most critical situations. The FDH 4000 closure can be installed practically anywhere—its compact size overcomes space challenges in crowded hand holes and vaults as well as on poles or hanging from a strand. Furthermore, in deployments where maintaining the historical character of a site is critical, the small size and pleasing aesthetics of the FDH 4000 closure make it a solution that delivers excellent results when needed the most.

Secured, safe, easy deployment

Aesthetically pleasing and small enough to conceal from view, the FDH 4000 closure is less prone to vandalism—ideal for places where securing network equipment is a concern. Considerably lighter than cabinet configurations, the unit puts less strain on the technicians handling it and requires less equipment and much smaller field crews to install. To protect crucial network components, the FDH 4000 closure brings together the most advanced technology from the inside and outside plant. It's a compact solution that offers the high density required by today's applications, along with rugged environmental protection.

Product Classification

| | |
|------------------------------|---|
| Regional Availability | Asia Australia/New Zealand EMEA Latin America North America |
| Product Type | Fiber distribution closure |
| Product Series | FDH 4000 |

General Specifications

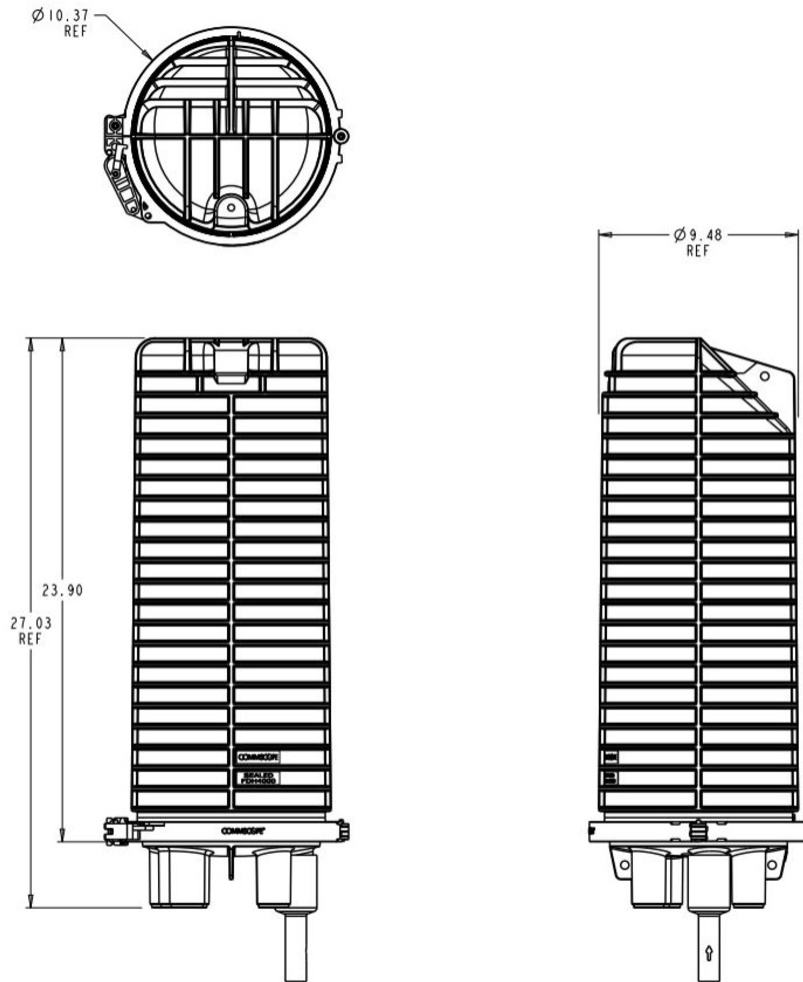
| | |
|-----------------|------------------------|
| Color | Black |
| Mounting | Handhole Pole Wall |

Dimensions

| | |
|-----------------------|------------------|
| Cable Length | 30.48 m 100 ft |
| Enclosure Size | Small |

Dimension Drawing

FDH4000-CLOSURE



Port Configuration

Configuration

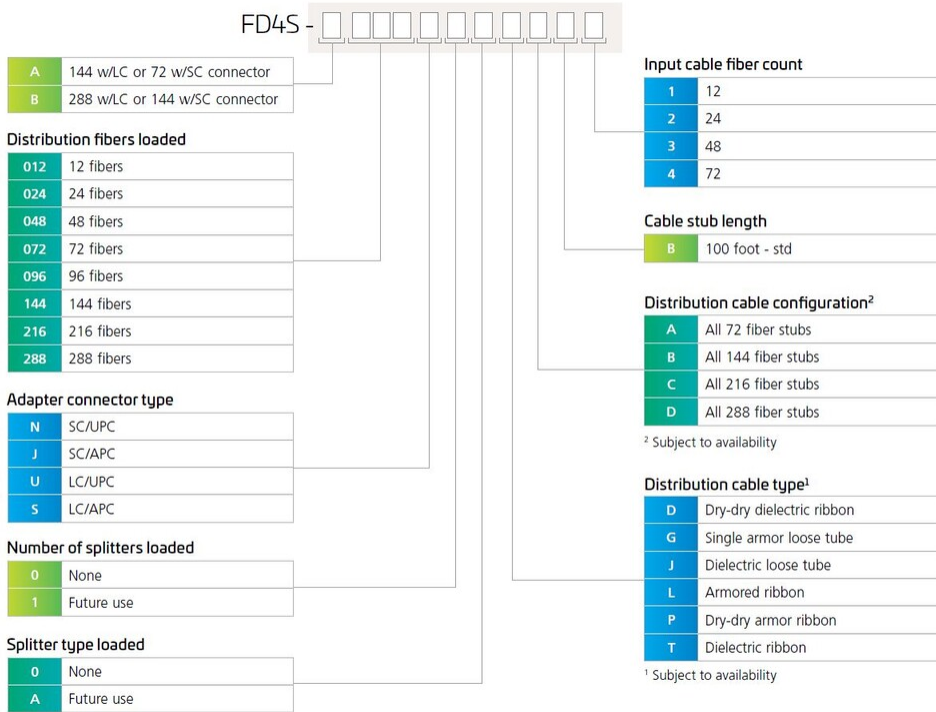
| | A-size | B-size |
|--|------------------|------------------|
| Distribution port count | 72 SC/144 LC | 144 SC/288 LC |
| Height | 28 in (72 cm) | 32 in (81.1 cm) |
| Width (diameter) | 9.5 in (24 cm) | 9.5 in (24 cm) |
| Enclosure weight (without pedestal, cables, splitters) | 30 lbs (13.6 kg) | 35 lbs (15.9 kg) |
| Splitter capacity | 7 | 9 |
| Splitter modules included | 0 | 0 |
| Configuration | Below grade | Below grade |
| Access | Removable dome | Removable dome |
| Parking capacity | 32 SC/48 LC | 32 SC/48 LC |

** configurable

| | A-size | B-size |
|-----------------------|---------------------|---------------------|
| Feeder fiber count | 12-72 | 12-72 |
| F1 fiber terminations | 12-72 | 12-72 |
| Pass-throughs | ** | ** |
| Cable ports | 3 | 3 |
| Cable clamps | 1 | 1 |
| Enclosure rating | IP68 GR 771 | IP68 GR 771 |
| FDH performance | GR-3121, GR-3125 | GR-3121, GR-3125 |
| Standard color | Black | Black |

FDH4000-CLOSURE

Ordering Tree



Environmental Specifications

Environmental Space Above ground | Below ground

Qualification Standards IEC 60529, IP68 | Telcordia GR-3121-CORE

Packaging and Weights

Packaging quantity 1

Weight, without cable 15.876 kg | 35 lb