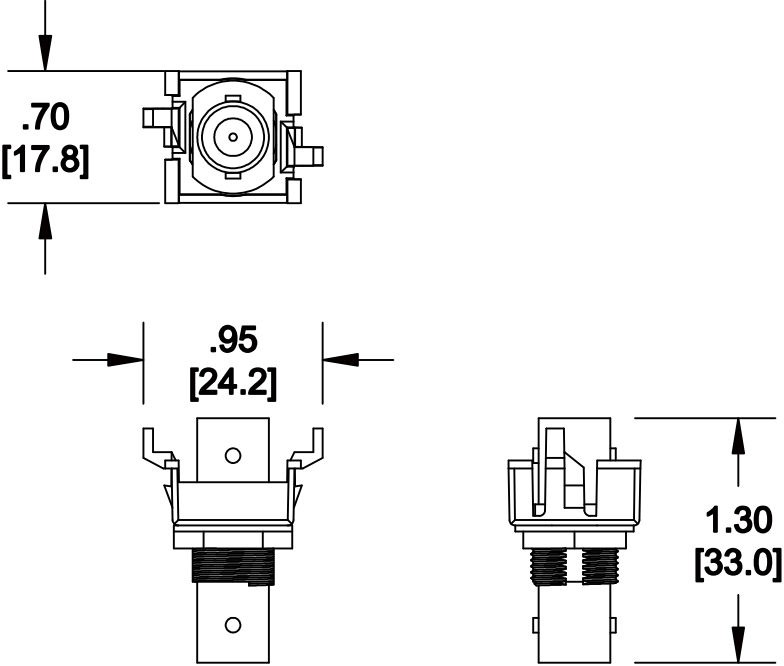


MATERIAL ID	DESCRIPTION
108009424	M81 BNC-B COUPLER 50 OHM

**NOTES:**

1. SEE COMMSCOPE CATALOG FOR PART NUMBER SUFFIXES TO INDICATE COLOR/PKG.
2. SEE COMMSCOPE CATALOG FOR COMPLETE LIST OF PARTS RELATED TO THE USE OF THIS PRODUCT.
3. DIMENSIONS IN PARENTHESES ARE IN METRIC.
4. PART INCLUDES:  
(1) ASSEMBLY, M81 BNC-B COUPLER



M81 BNC-B COUPLER

**COMMSCOPE, INC** OF NORTH CAROLINA

REV	DATE	ECR	DESCRIPTION	APPROVED BY	DATE	DWG NO
1	06/07/11		INITIAL ISSUE		06/07/2011	108009424