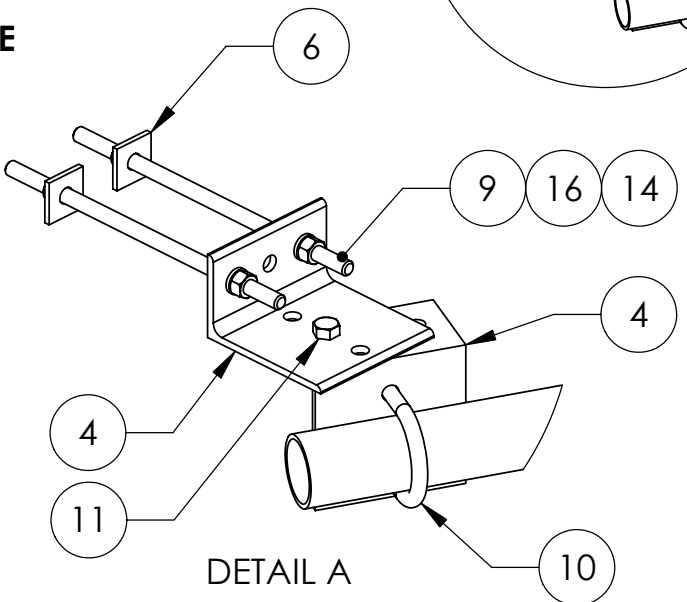
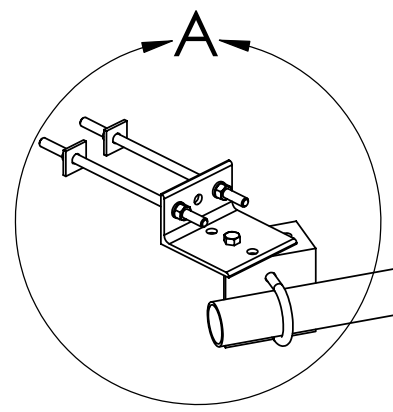
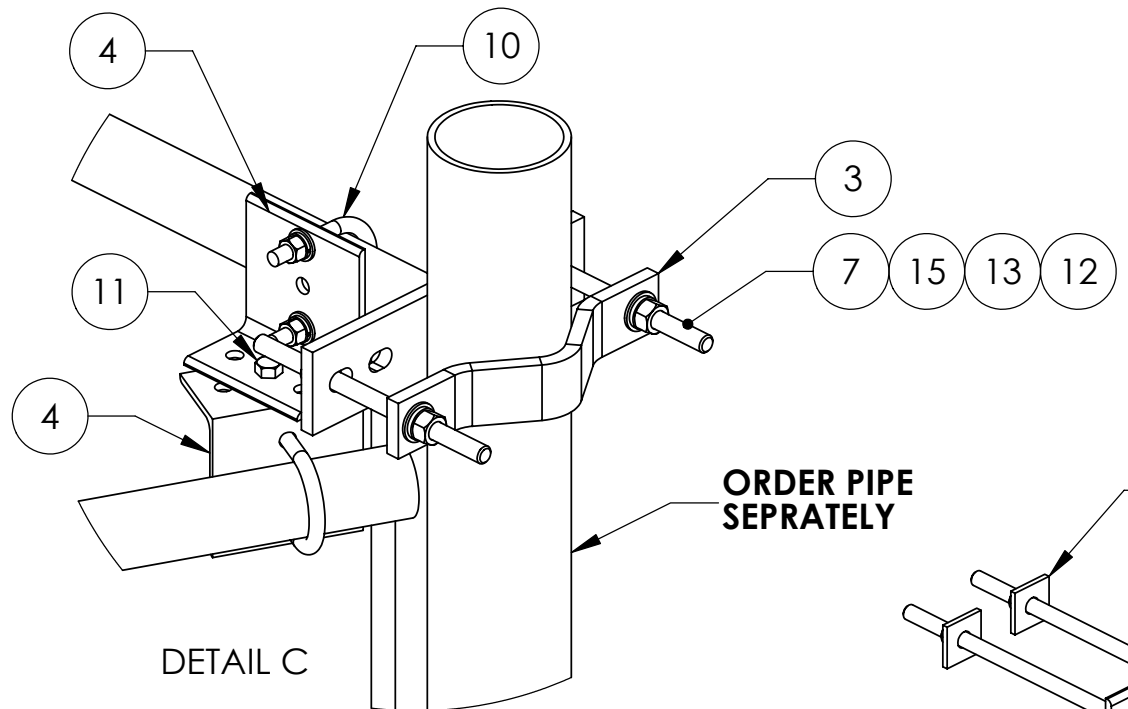
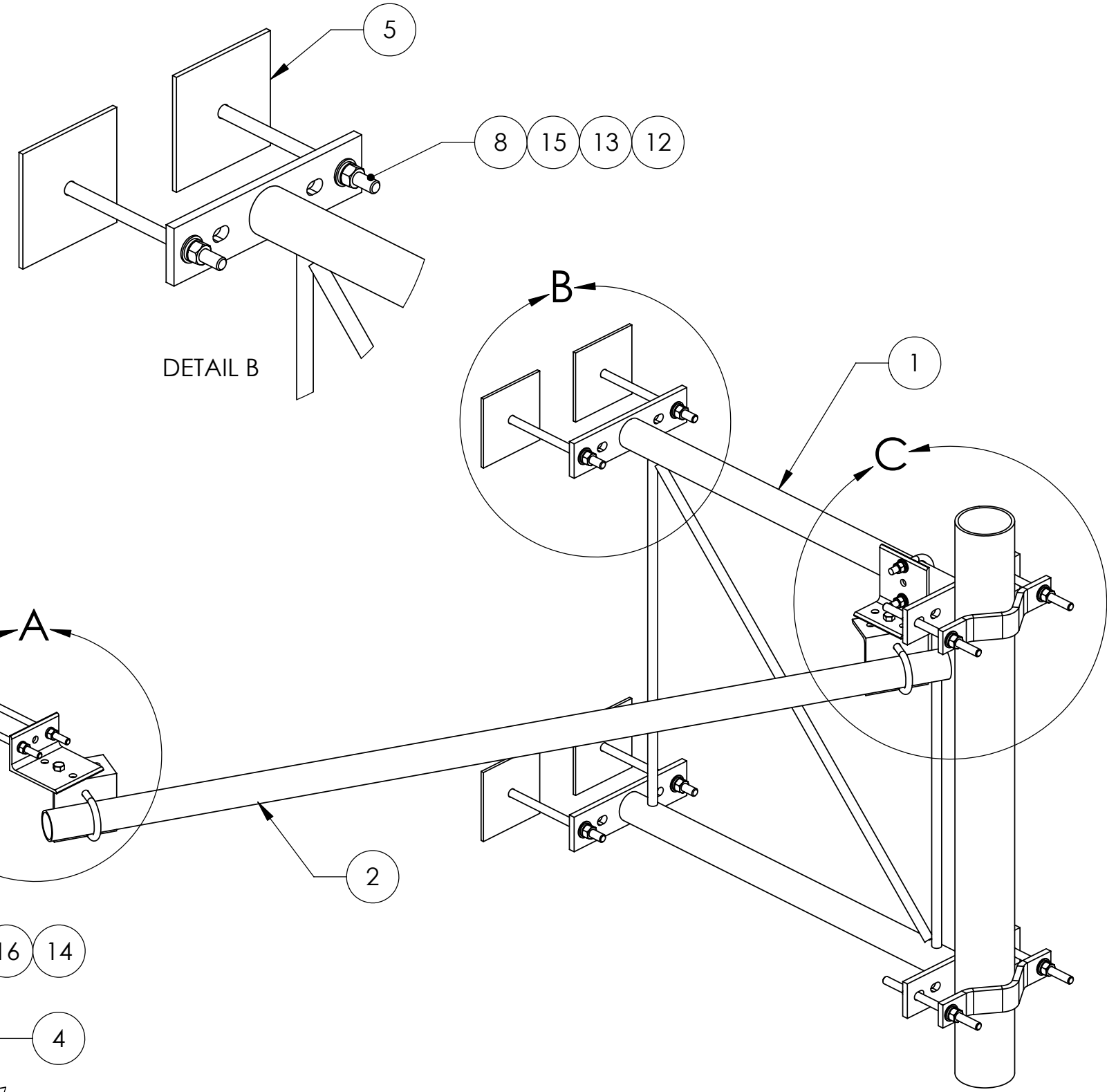


ITEM	PART NUMBER	DESCRIPTION	QTY.	WEIGHT
1	DM300.01	36" DISH WALL MOUNT	1	52.47 LBS
2	MT-651	PLAIN END PIPE 2-3/8" OD X 72"	1	22.00 LBS
3	MCP10	MEDIUM CLAMP HALF	2	3.39 LBS
4	XA2020.01	CROSS OVER ANGLE	4	2.65 LBS
5	BP-06	6" X 6" BACKING PLATE	4	2.53 LBS
6	MT-388	SQUARE WASHER, 1 1/2" X 1 1/2" W/ 9/16" HOLE	2	0.11 LBS
7	MT-381-10	5/8" X 10" THREADED ROD	4	0.79 LBS
8	MT-381	5/8" X 12" THREADED ROD	4	1.04 LBS
9	MT-379	1/2" X 12" GALV. THREADED ROD	2	0.67 LBS
10	GUB-4240	1/2" X 2-1/2" X 4" GALV U-BOLT KIT	3	0.57 LBS
11	GB-04125	1/2" X 1-1/4" GALV BOLT KIT	2	0.22 LBS
12	GWF-05	5/8" GALV FLAT WASHER	12	0.02 LBS
13	GWL-05	5/8" GALV LOCK WASHER	8	0.02 LBS
14	GWL-04	1/2" GALV LOCK WASHER	2	0.01 LBS
15	GN-05	5/8" GALV HEX NUT	16	0.08 LBS
16	GN-04	1/2" GALV HEX NUT	4	0.06 LBS
17	MT-280	5/8" X 6" WEDGE ANCHOR	4	
18	MT-271	1/2" X 3-3/4" WEDGE ANCHOR	2	

REVISIONS				
REV.	ZONE	DESCRIPTION	BY	DATE
C		REDRAWN IN SOLIDWORKS	AW	08/31/06



NOTES:
 1. CONFIGURATION SHOWN FOR HOLLOW WALL MOUNTING.
 2. ITEM 17 AND 18 FOR SOLID WALL MOUNTING.

<small>These drawings and specifications are the proprietary property of ANDREW CORPORATION and may be used only for the specific purpose authorized in writing by Andrew Corporation.</small> <small>ALL DIMENSIONS ARE IN INCHES U.O.S. TOLERANCES UNLESS OTHERWISE SPECIFIED:</small> .X = ± .06 ANGLES ± 2' .XX = ± .03 FRACTIONS ± 1/32 .XXX = ± .010 <small>REMOVE BURRS AND BREAK EDGES .005</small> DO NOT SCALE THIS PRINT	DRAWN BY: AW	SHEET: 1 of 1	PART NUMBER: DM-300
	CHECKED BY: TP	SCALE: NTS	DESCRIPTION: 36" DISH STAND-OFF WALL MOUNT
	DATE: 08/31/06	MATERIAL: A36	DRAWING TYPE: ASSEMBLY DRAWING
	REVISION: C	FINISH: GALV A123	WEIGHT: 114.84 LBS