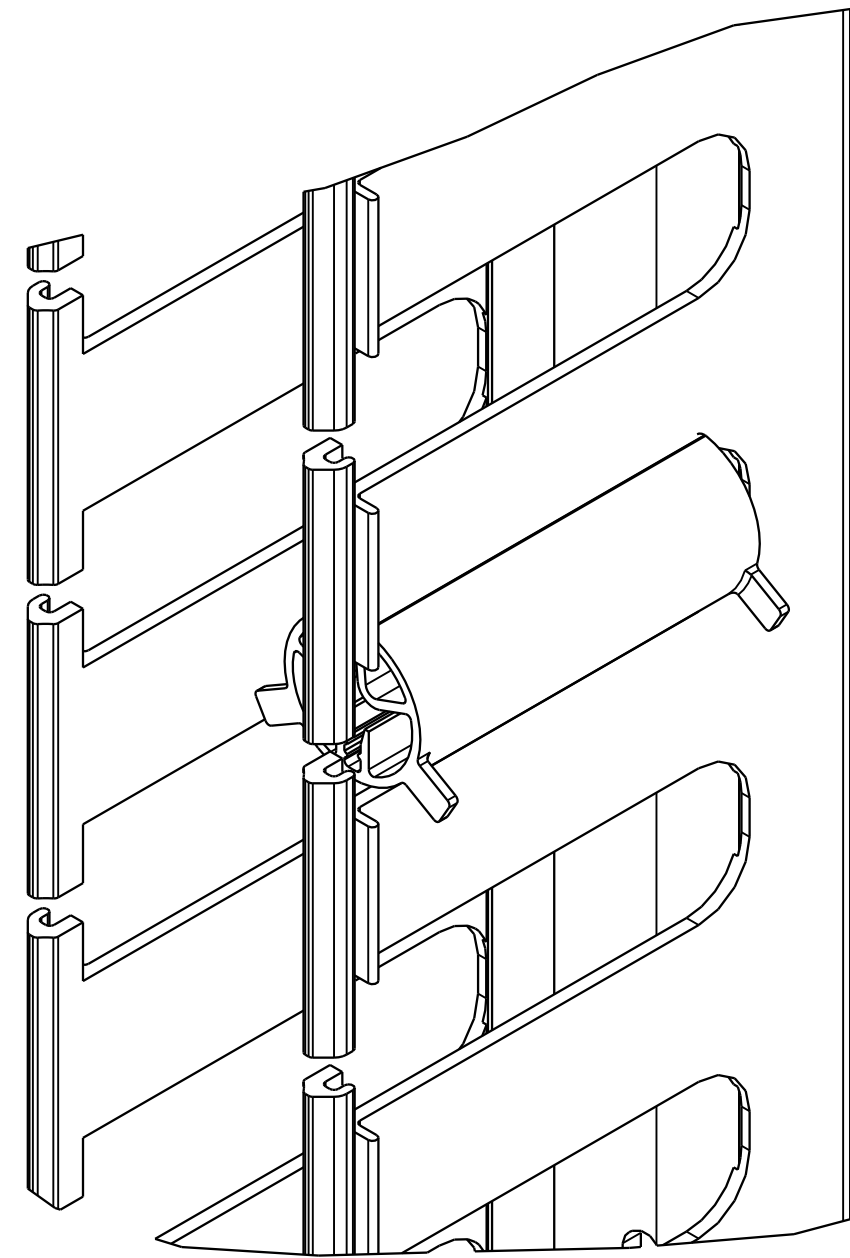
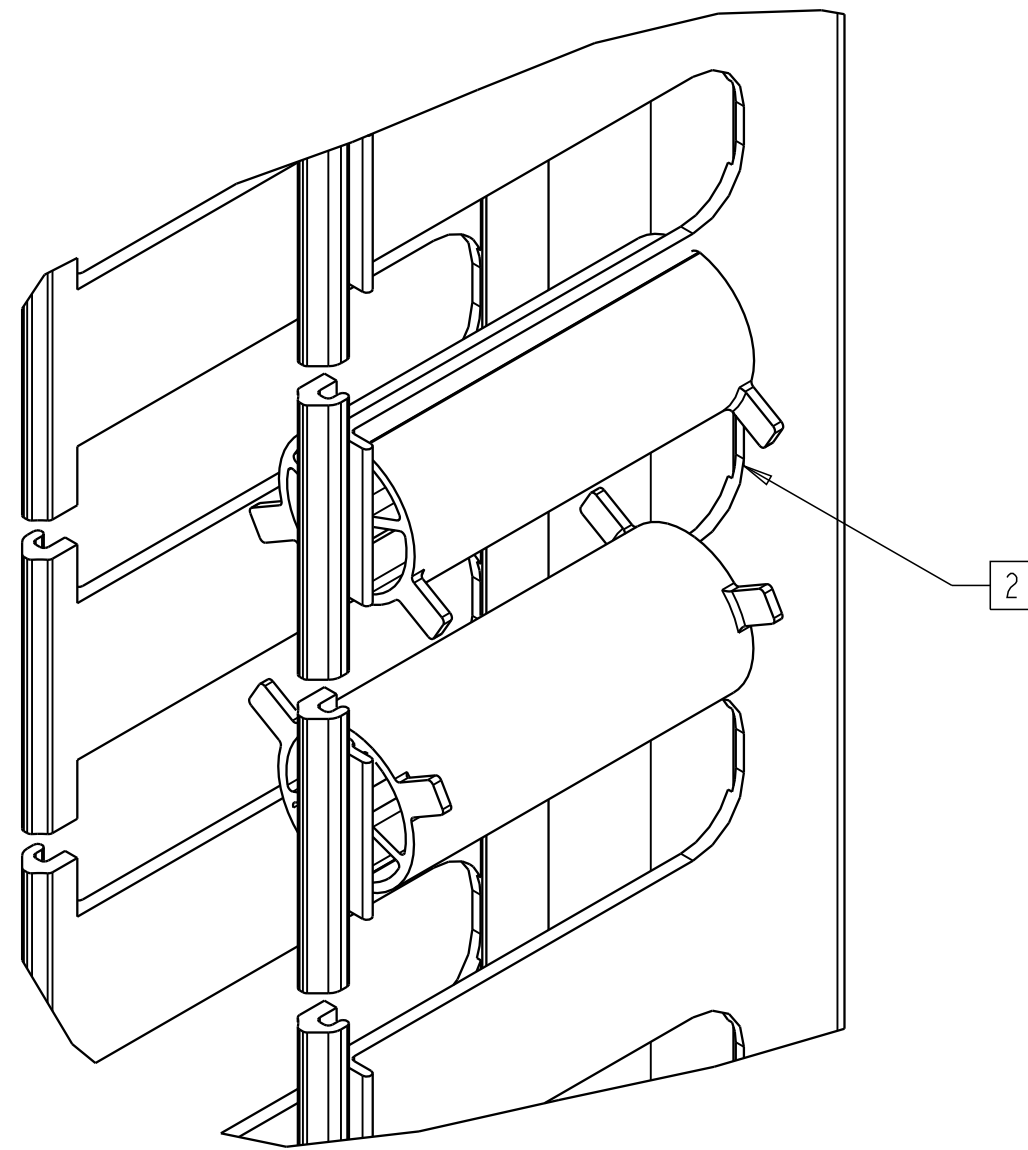


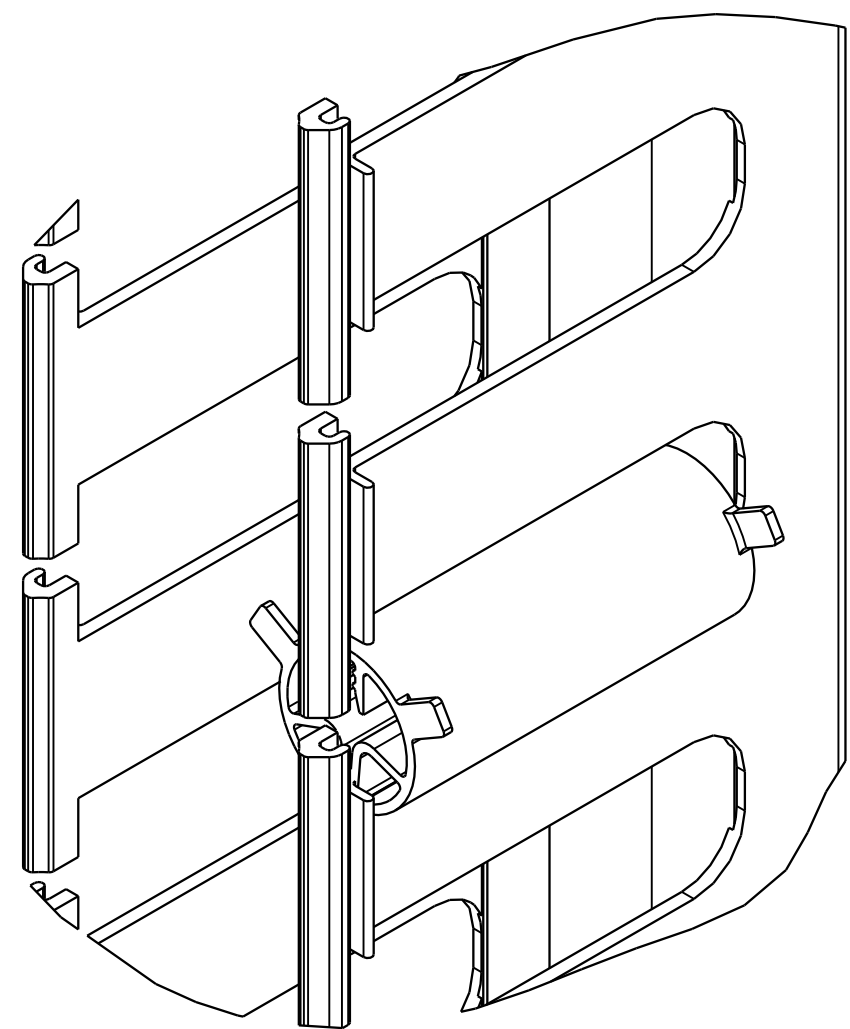
REV	MCO	DWN	DATE
C	40010183MCO	OAVL	17-NOV-14
D	8000018631	OAVL	29-DEC-16



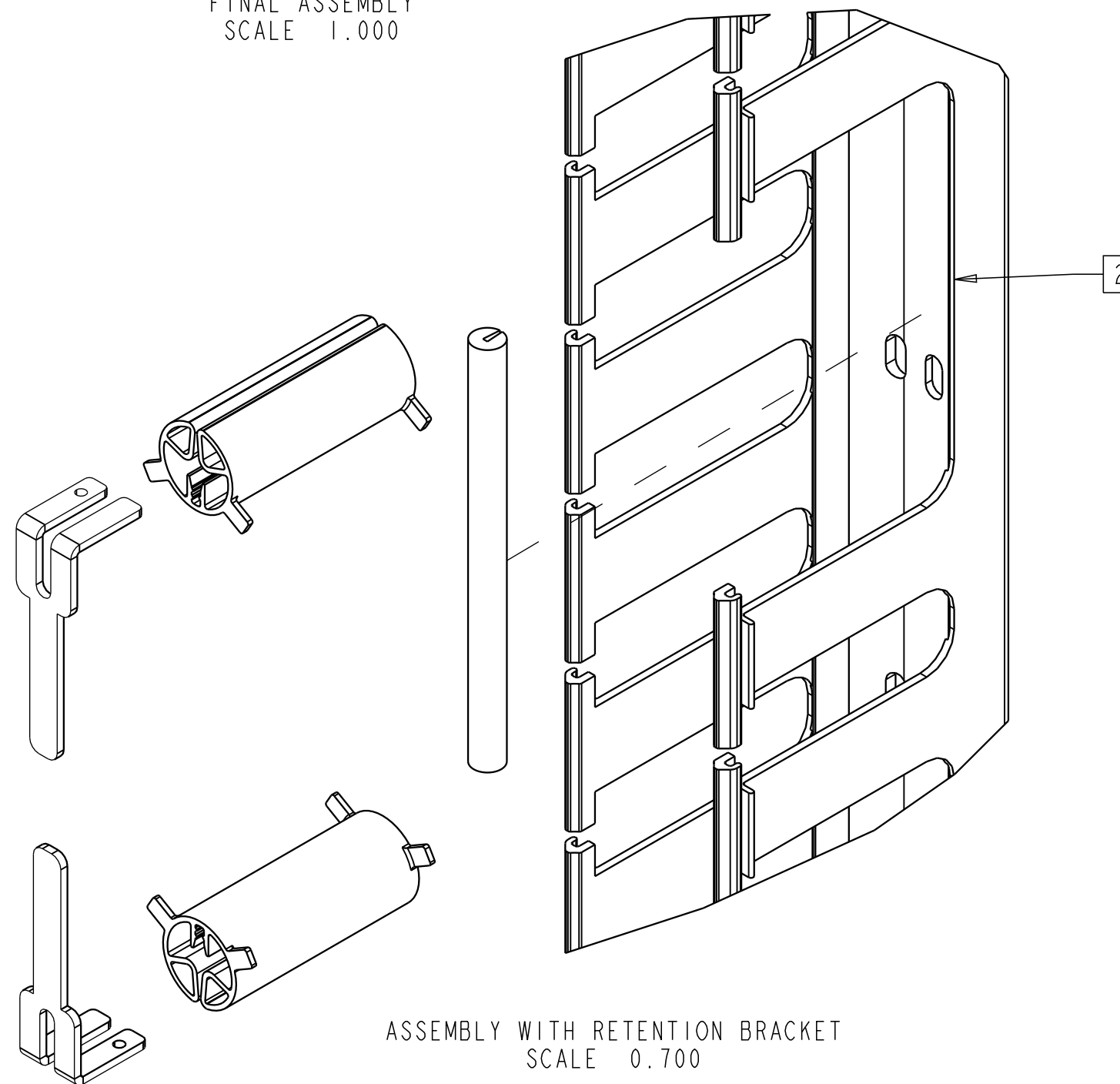
TOP POSITION
ASSEMBLY
SCALE 1.000



FINAL ASSEMBLY
SCALE 1.000



BOTTOM POSITION
ASSEMBLY
SCALE 1.000



ASSEMBLY WITH RETENTION BRACKET
SCALE 0.700

NOTES:

1. SNAP IN THE RADIUS LIMITER INTO THE VFSGS FINGER, TOP OR BOTTOM POSITION.
2. SNAP GROMMET INCLUDED WITH THE KIT, TO PROTECT FIBER FROM SHARP EDGES.

LIST OF KIT MATERIALS

ITEM	DESCRIPTION ITEM	QTY
001	RADIUS LIMITER, LOW PROFILE	2
002	GROMMET BLACK 3/8 DIA, MATERIAL SBR	1FT
003	RETENTION BRK, LOW PROFILE	2

COMMSCOPE, INC.

© 2016 COMMSCOPE, INC. CONFIDENTIAL NOTICE: THESE DRAWINGS AND SPECIFICATIONS ARE THE PROPRIETARY PROPERTY OF COMMSCOPE, INC. AND MAY BE USED ONLY FOR THE SPECIFIC PURPOSE AUTHORIZED IN WRITING BY COMMSCOPE, INC.		TITLE FGS RADIUS LIMITER KIT INSTALLATION DRW	
ALL DIMS AND TOLERANCES ARE INCHES UNLESS OTHERWISE SPECIFIED	.XX:±REF .XXX:±REF ANGULAR:±REF	C SIZE	DRAWING NUMBER 300001772512
DO NOT SCALE DRAWING		ENGR: ERIK ESTRADA DWN: ERIK ESTRADA	D REV
		SHT. 1 OF 1	

DIMENSIONS IN INCHES
THIRD ANGLE PROJECTION