

4

3

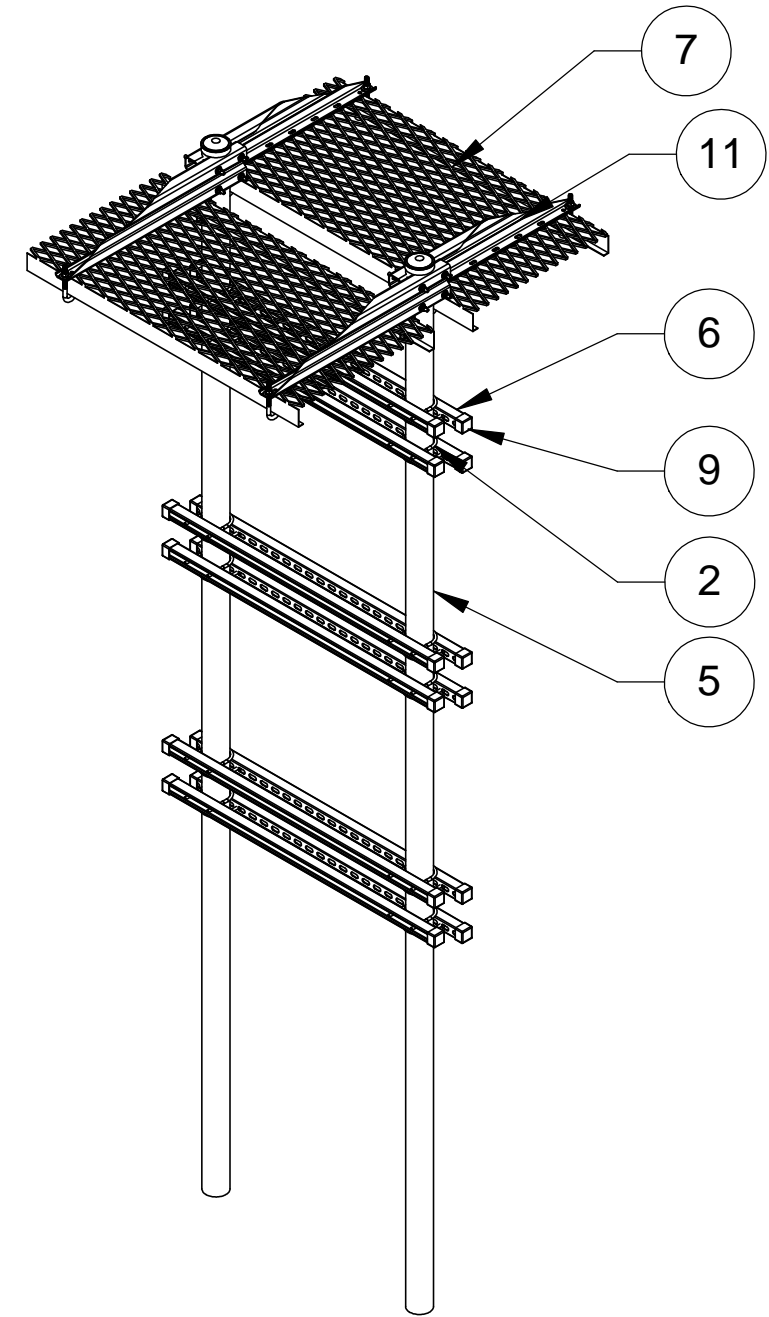
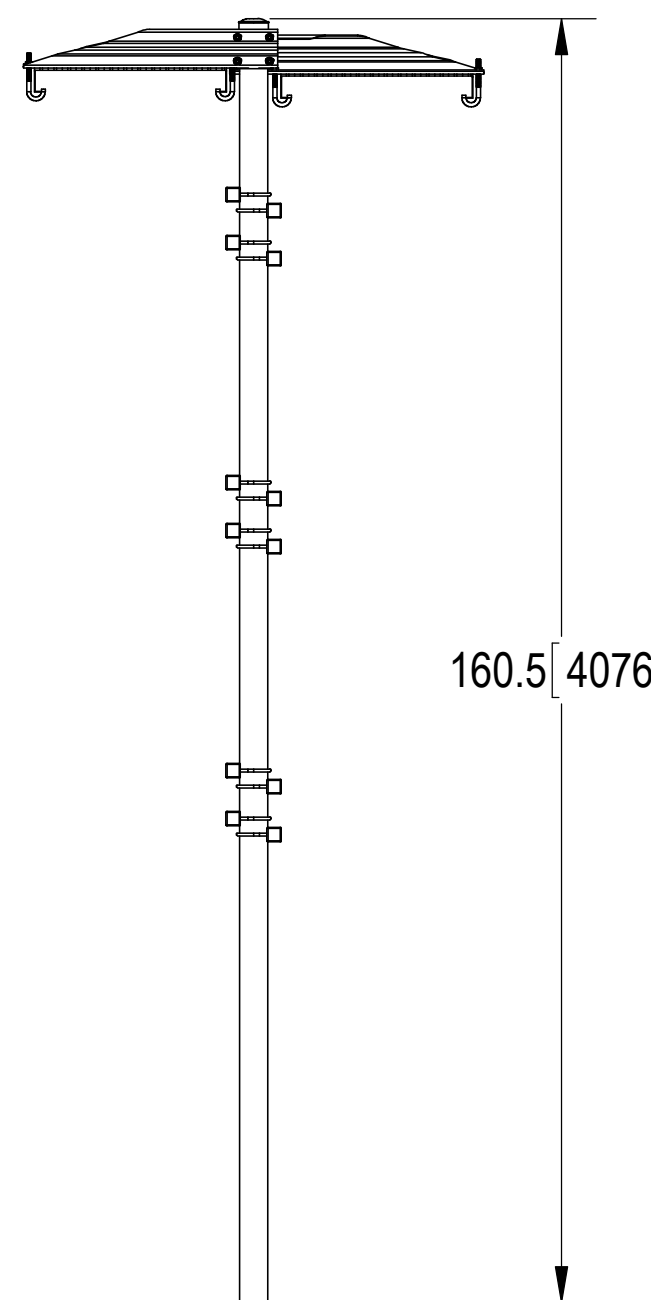
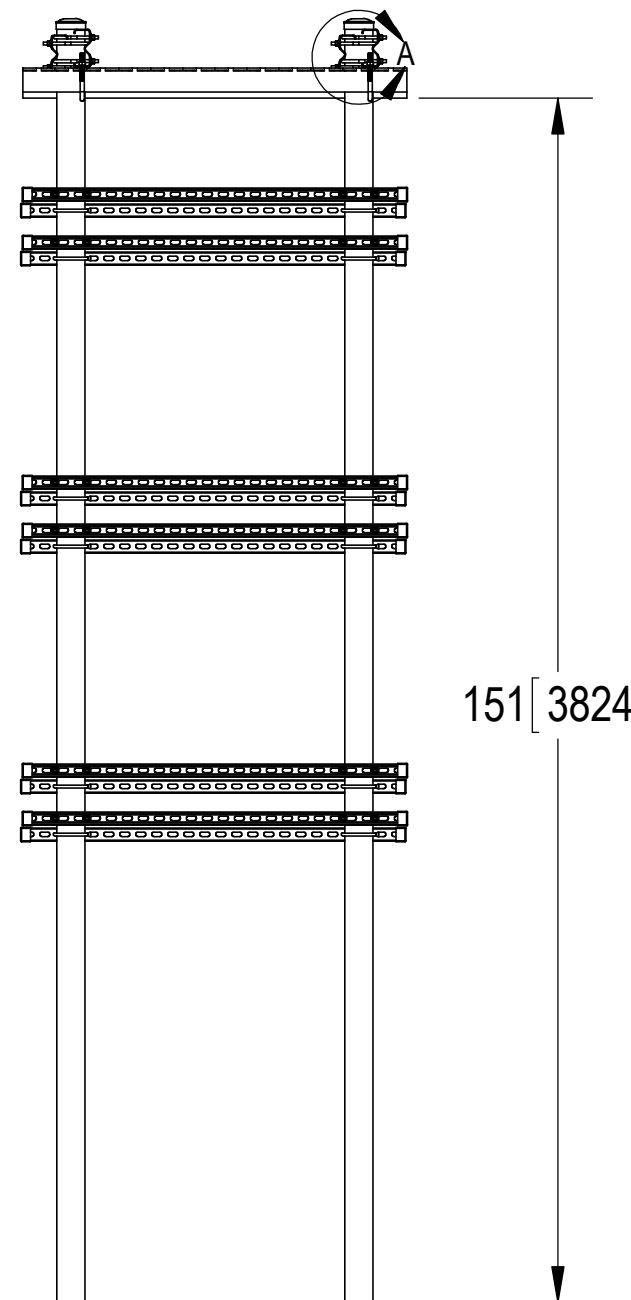
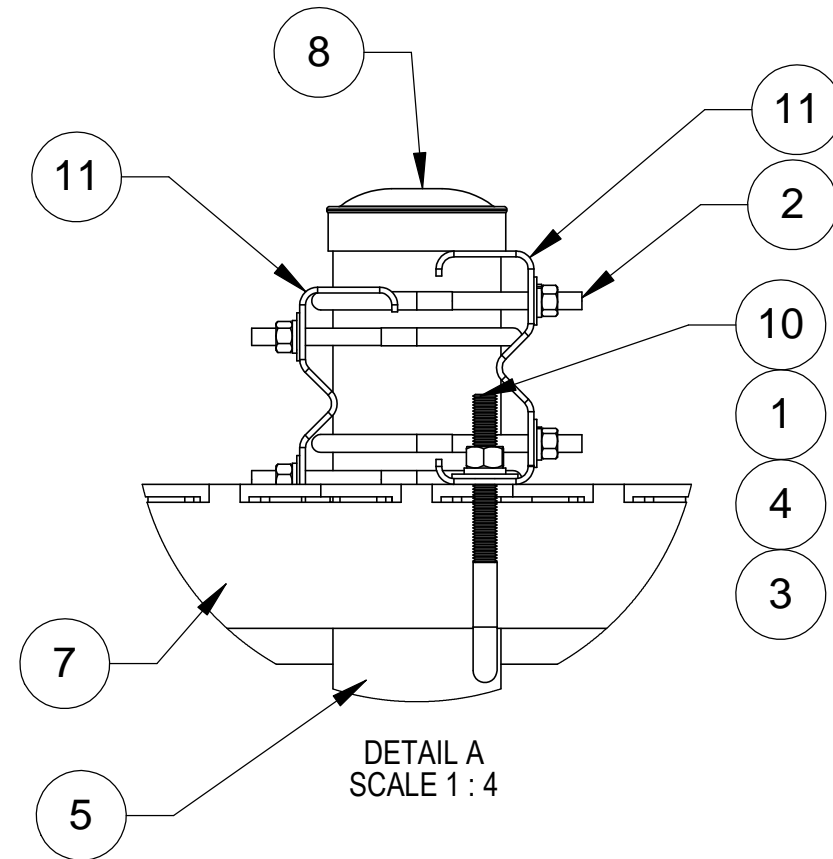
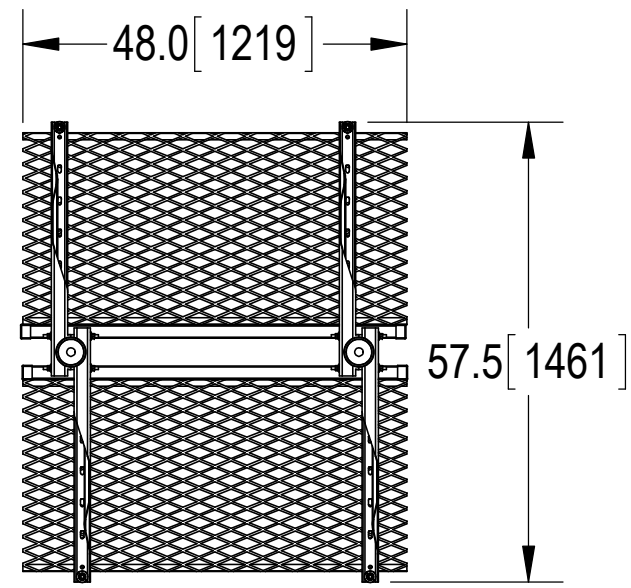
2

1

NOTES:

1.0 ALL METRIC DIMENSIONS ARE IN BRACKETS.

REVISIONS				
REV.	ECN	DESCRIPTION	BY	DATE
A	8000028694	INITIAL RELEASE	MRC	03/01/18



ITEM	PART NO.	DESCRIPTION	QTY.	WEIGHT	NOTE NO.
1	GN-04	1/2" GALV HEX NUT	8	0.04 LBS	
2	GUB-3355	3/8" X 3-5/8" X 5-1/4" GALV U-BOLT	32	0.40 LBS	
3	GWF-04	1/2" GALV FLAT WASHER	8	0.03 LBS	
4	GWL-04	1/2" GALV LOCK WASHER	8	0.01 LBS	
5	MF130165	3-1/2" O.D. X 160" L SCH 40 PIPE	2	78.64 LBS	
6	MT50448	1-5/8" SQ. SUPPORT RAIL 48" LONG	12	7.26 LBS	
7	MTC329120	SAFTEY GRATING 24"X48"	2	32.01 LBS	
8	PC-034	Ø 3 1/2" PIPE CAP	2	0.54 LBS	
9	PTCR01	END CAP	24	0.05 LBS	
10	WBJB6	1/2" J-BOLT	8	0.41 LBS	
11	WBLB24308	24" WAVEGUIDE BRIDGE SUPPORT BRACKET	4	7.14 LBS	

COMMSCOPE, INC. OF NORTH CAROLINA

TOLERANCES		SAP MATERIAL MASTER	
0 PLACE X ± .25	2 PLACE .XX ± .06	MTC401548HC	
1 PLACE .X ± .12	ANGLES ± 2°		
FINISH		MATERIAL	
GALV A123		A500, A568, A1011	
<small>UNLESS OTHERWISE SPECIFIED DIMENSIONS ARE IN MILLIMETERS INTERPRET PER ISO STANDARDS HANDBOOK TECHNICAL DRAWINGS VOLUMES 1 & 2, THIRD EDITION (2002)</small>		NAME	DATE
		CE MRC	11/20/17
<small>DENSITY 0.28 lbs/in³ MASS 358.32 lbs VOLUME 1283.10 in³ SURFACE AREA in²</small>		H-FRAME, 2 POSTS, 12 UNISTRUTS, COVERED	
		SCALE	DOCUMENT NO.
		1:24	MTC401548HC
SIZE	WORK AREA	MODEL	DRAWING
C		VERSION	STATUS
		REVISION	REVISION
			A
			SHEET 1 OF 1

4

3

2

1