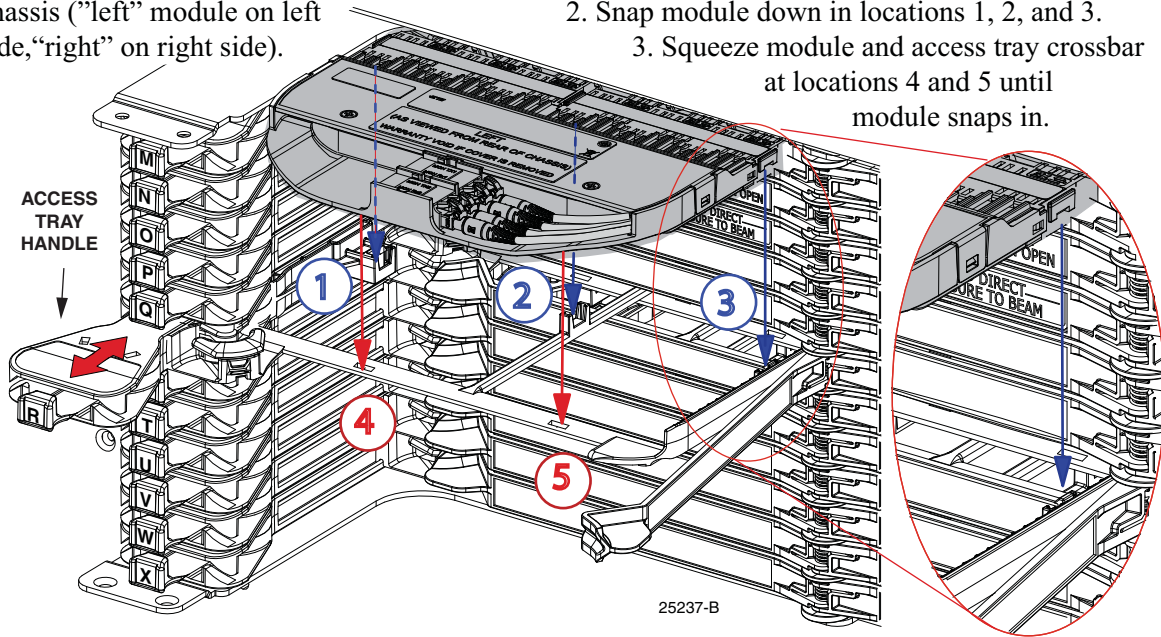


### NG4access ODF Platform Value Added Module (VAM)

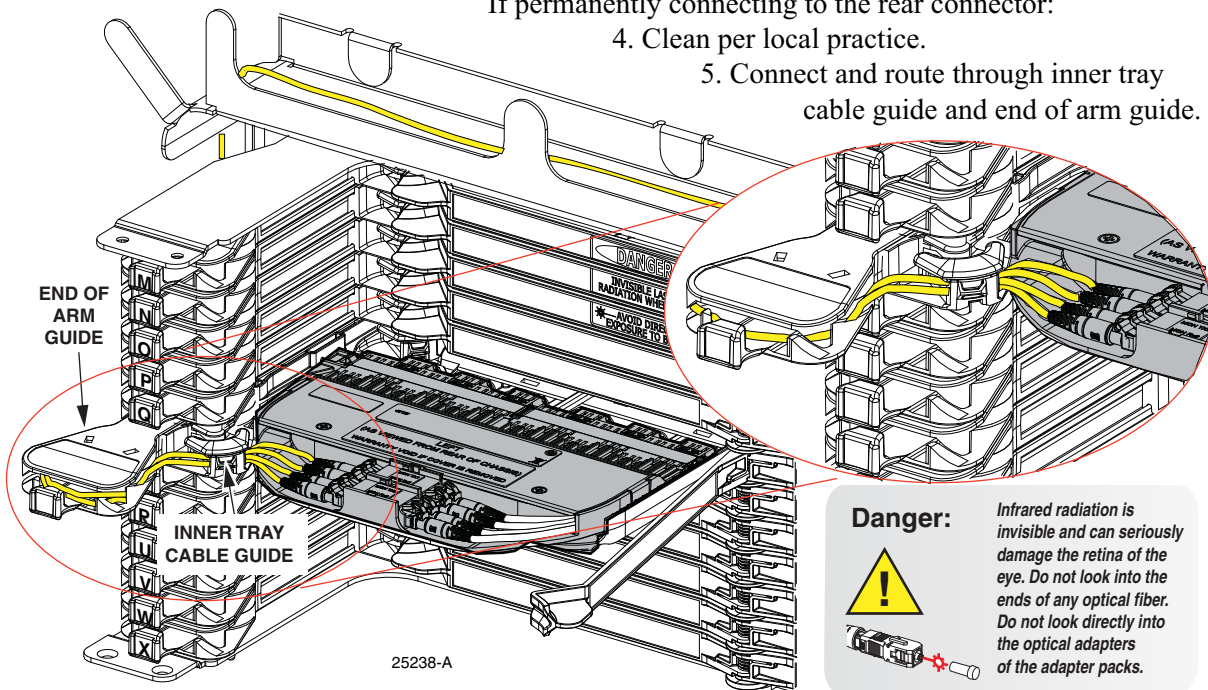
Install module from rear of universal chassis ("left" module on left side, "right" on right side).

1. Pull out access tray handle.
2. Snap module down in locations 1, 2, and 3.
3. Squeeze module and access tray crossbar at locations 4 and 5 until module snaps in.



If permanently connecting to the rear connector:

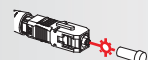
4. Clean per local practice.
5. Connect and route through inner tray cable guide and end of arm guide.



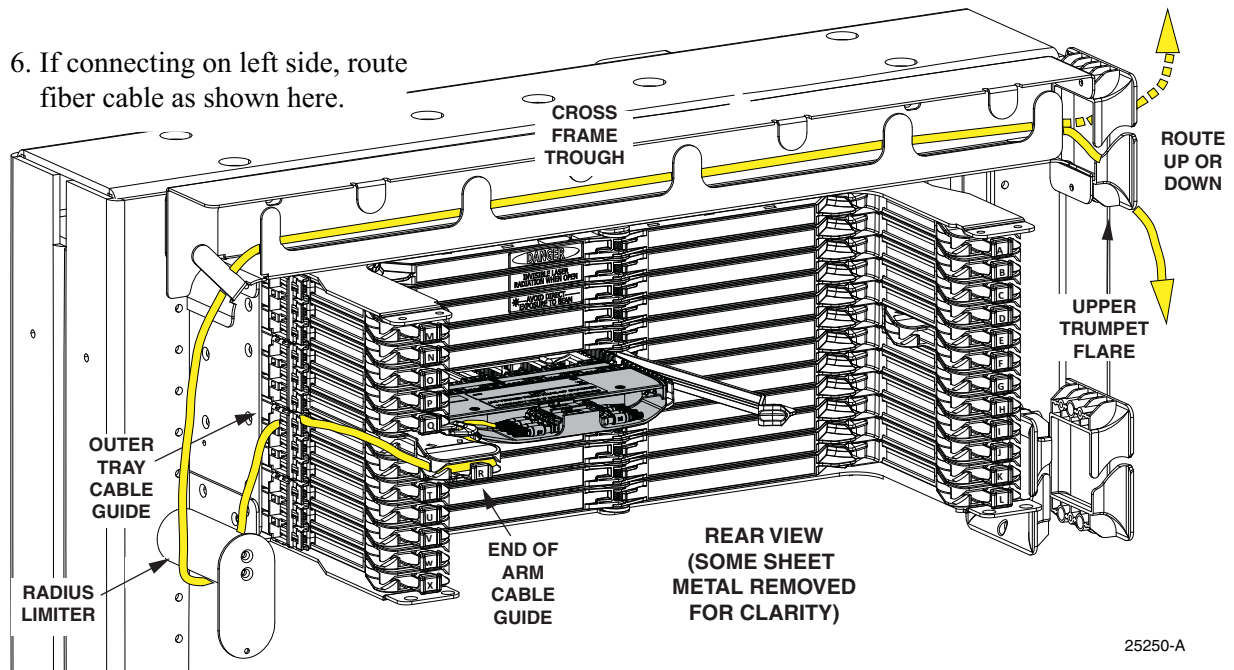
**Danger:**



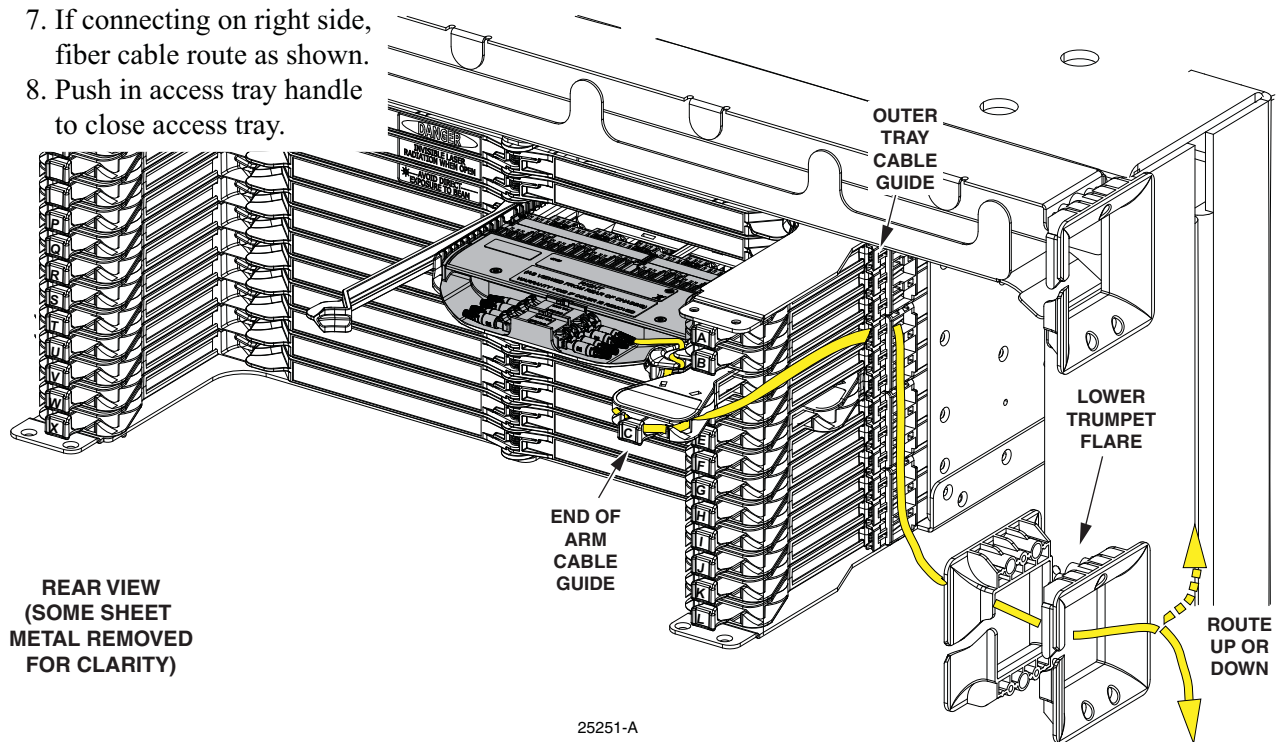
*Infrared radiation is invisible and can seriously damage the retina of the eye. Do not look into the ends of any optical fiber. Do not look directly into the optical adapters of the adapter packs.*



6. If connecting on left side, route fiber cable as shown here.



7. If connecting on right side, fiber cable route as shown.  
8. Push in access tray handle to close access tray.



## Technical Support or Product Information

<http://www.commscope.com/SupportCenter/TechnicalSupport.aspx>