

# E14F15P24

---



Ultra Compact Single Quadplexer 1400-1800/2100/2300-2600 /3400-3800 MHz, All ports DC bypass, with 4.3-10 connectors

- New Combining Solution to introduce 5G, 3.5GHz band
- Industry leading PIM performance
- Suitable for feeders cables reduction
- New 4.3-10 connectors for improved PIM performance and size reduction
- dc/AISG pass-through on all frequency ports
- Single configuration

## Product Classification

**Product Type** Quadplexer

## General Specifications

**Color** Gray

**Modularity** 1-Single

**Mounting** Pole | Wall

**Mounting Pipe Hardware** Band clamps (2)

**RF Connector Interface** 4.3-10 Female

**RF Connector Interface Body Style** Medium neck

## Dimensions

**Height** 45 mm | 1.772 in

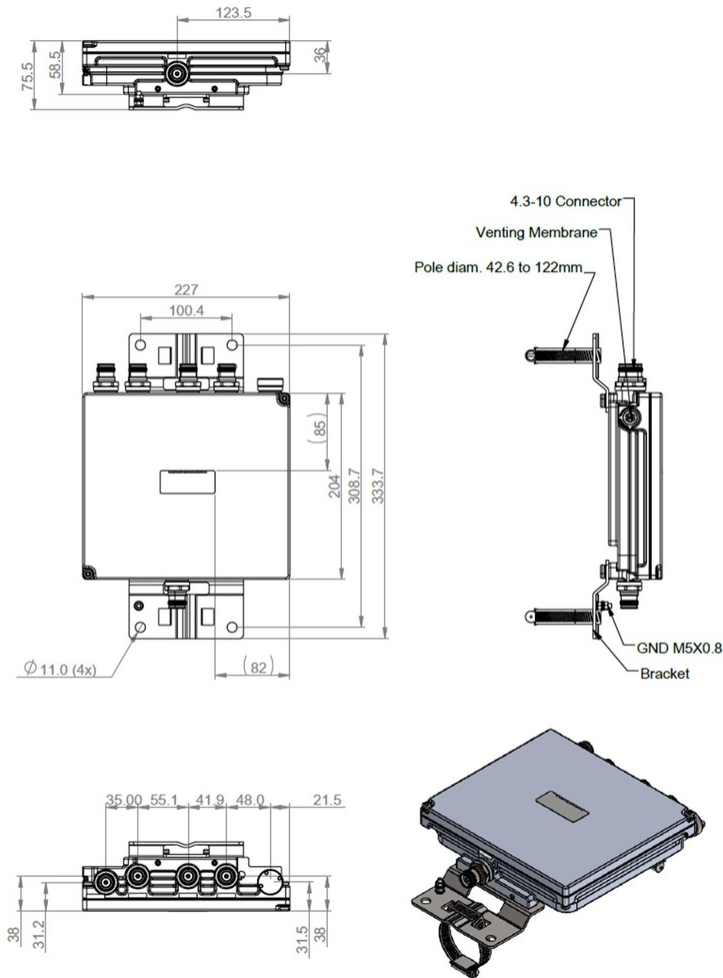
**Width** 230 mm | 9.055 in

**Depth** 200 mm | 7.874 in

**Mounting Pipe Diameter Range** 42.6–122 mm

## Outline Drawing

# E14F15P24



## Electrical Specifications

<b>Impedance</b>	50 ohm
<b>License Band, Band Pass</b>	APT 700   CEL 850   CEL 900   DCS 1800   EDD 800   IMT 2100   IMT 2600   LMR 800   LMR 900   SDL 1400   TDD 2300   TDD 2600   TDD 3500

## Electrical Specifications, dc Power/Alarm

<b>dc/AISG Pass-through Method</b>	Factory set
<b>dc/AISG Pass-through Path</b>	Branch 1   Branch 2   Branch 3   Branch 4
<b>dc/AISG Pass-through, combiner</b>	Branch 1   Branch 2   Branch 3   Branch 4
<b>dc/AISG Pass-through, demultiplexer</b>	Branch 1   Branch 2   Branch 3   Branch 4
<b>Lightning Surge Current</b>	5 kA
<b>Lightning Surge Current Waveform</b>	8/20 waveform

# E14F15P24

## Electrical Specifications, AISG

<b>AISG Carrier</b>	2176 KHz ± 100 ppm
<b>Insertion Loss, maximum</b>	0.5 dB
<b>Return Loss, minimum</b>	18 dB

## Electrical Specifications

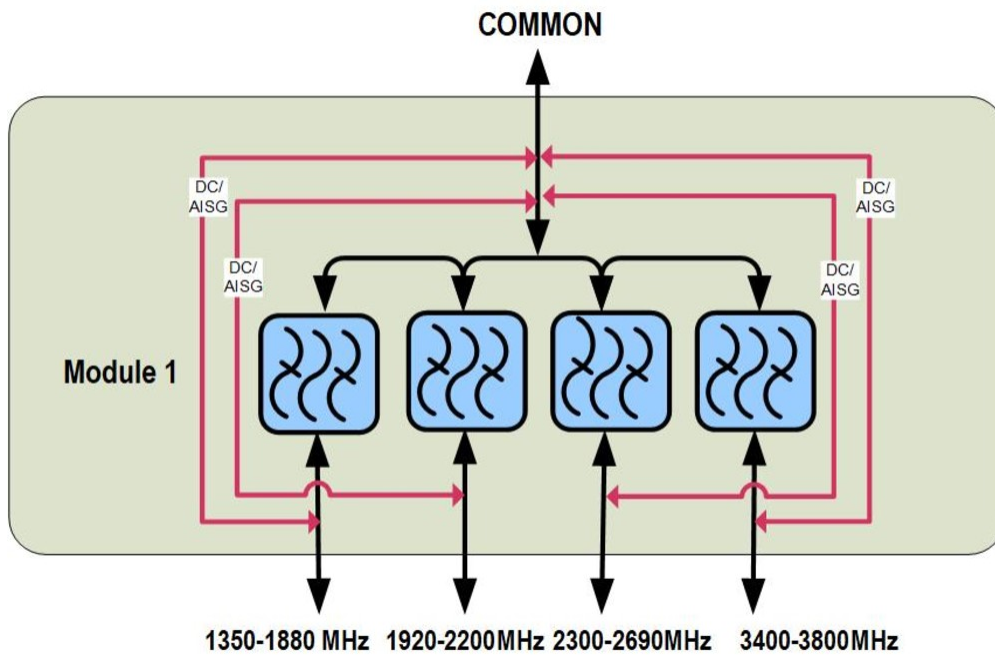
<b>Sub-module</b>	<b>1   2</b>	<b>1   2</b>	<b>1   2</b>	<b>1   2</b>
<b>Branch</b>	1	2	3	4
<b>Port Designation</b>	PORT 1 1350-1880MHz	PORT 2 1920-2170MHz	PORT 3 2300-2690MHz	PORT 4 3400-3800MHz
<b>License Band</b>	SDL 1400, Band Pass DCS 1800, Band Pass	IMT 2100, Band Pass	TDD 2300, Band Pass IMT 2600, Band Pass TDD 2600, Band Pass	TDD 3500, Band Pass

## Electrical Specifications, Band Pass

<b>Frequency Range, MHz</b>	<b>1350–1525 1710–1880</b>	<b>1920–2170</b>	<b>2300–2690</b>	<b>3400–3800</b>
<b>Insertion Loss, maximum, dB</b>	0.5	0.5	0.4	0.3
<b>Return Loss, minimum, dB</b>	18	18	18	18
<b>Isolation, minimum, dB</b>	50	50	50	50
<b>Input Power, RMS, maximum, W</b>	100	100	100	100
<b>Input Power, PEP, maximum, W</b>	1000	1000	1000	1000
<b>3rd Order PIM, maximum, dBc</b>	-161	-161	-161	-161
<b>3rd Order PIM Test Method</b>	Two +43 dBm carriers	Two +43 dBm carriers	Two +43 dBm carriers	Two +43 dBm carriers

## Block Diagram

# E14F15P24



## Mechanical Specifications

**Wind Speed, maximum** 241 km/h | 149.75 mph

## Environmental Specifications

**Operating Temperature** -40 °C to +65 °C (-40 °F to +149 °F)

**Relative Humidity** 15%–100%

**Corrosion Test Method** IEC 60068-2-11, 30 days

**Ingress Protection Test Method** IEC 60529:2001, IP67

**Vibration Test Method** IEC 60068-2-6

## Packaging and Weights

**Included** Mounting hardware

**Volume** 2.3 L

**Weight, net** 2.6 kg | 5.732 lb