

860636329

~~Revision N / Jul 2023~~ **Revision P / March 2024**

commscope.com

Discrete Distribution Module Panels (DDM)

General

The CommScope® discrete distribution module (DDM) panels are available in a 24- or 48-port, straight, angled or recessed angled configuration.

The panel consists of a rack mounted base unit, rear cable management hardware, and labels for port numbering. Each panel mounts in a 19-inch (483mm) equipment rack with universal hole spacing.

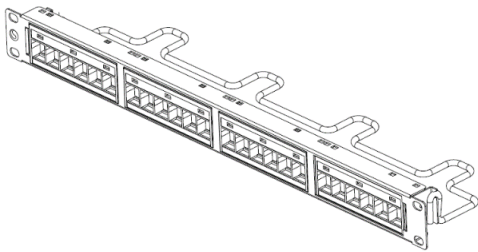
Ordering information is listed below:

Material ID	Part No.	Description
760237040	CPP-UDDM-SL-1U-24	CommScope Discrete Distribution Module Panel, SL, UTP, 1U, 24 port
760237041	CPP-UDDM-SL-2U-48	CommScope Discrete Distribution Module Panel, SL, UTP, 2U, 48 port
760237042	CPPA-UDDM-SL-1U-24	CommScope Angled Discrete Distribution Module Panel, SL, UTP, 1U, 24 port
760237043	CPPA-UDDM-SL-2U-48	CommScope Angled Discrete Distribution Module Panel, SL, UTP, 2U, 48 port
760237044	CPPR-UDDM-SL-1U-24	CommScope Recessed Angled Discrete Distribution Module Panel, SL, UTP, 1U, 24 port
760237045	CPPR-UDDM-SL-2U-48	CommScope Recessed Angled Discrete Distribution Module Panel, SL, UTP, 2U, 48 port
760237046	CPP-SDDM-SL-1U-24	CommScope Discrete Distribution Module Panel, SL, STP, 1U, 24 port
760237047	CPP-SDDM-SL-2U-48	CommScope Discrete Distribution Module Panel, SL, STP, 2U, 48 port
760237048	CPPA-SDDM-SL-1U-24	CommScope Angled Discrete Distribution Module Panel, SL, STP, 1U, 24 port
760237049	CPPA-SDDM-SL-2U-48	CommScope Angled Discrete Distribution Module Panel, SL, STP, 2U, 48 port
760237050	CPPR-SDDM-SL-1U-24	CommScope Recessed Angled Discrete Distribution Module Panel, SL, STP, 1U, 24 port
760237051	CPPR-SDDM-SL-2U-48	CommScope Recessed Angled Discrete Distribution Module Panel, SL, STP, 2U, 48 port
760207274	CPP-UDDM-M-1U-24	CommScope Discrete Distribution Module Panel, M-series, UTP, 1U, 24 port
760207282	CPP-UDDM-M-2U-48	CommScope Discrete Distribution Module Panel, M-series, UTP, 2U, 48 port
760207290	CPPA-UDDM-M-1U-24	CommScope Angled Discrete Distribution Module Panel, M-series, UTP, 1U, 24 port
760207308	CPPA-UDDM-M-2U-48	CommScope Angled Discrete Distribution Module Panel, M-series, UTP, 2U, 48 port
760237052	CPP-UDDM-KJ-1U-24	CommScope Discrete Distribution Module Panel, KJ, UTP, 1U, 24 port
760237054	UNP-UDDM-SL-1U-48	Uniprise Discrete Distribution Module Panel, Cat6, UTP, 1U, 48 port
760237055	UNPA-UDDM-SL-1U-48	Uniprise Angled Discrete Distribution Module Panel, Cat6, UTP, 1U, 48 port
760237060	NPP-UDDM-SL-1U-48	NETCONNECT Discrete Distribution Module Panel, Cat6, UTP, 1U, 48 port
760237061	NPPA-UDDM-SL-1U-48	NETCONNECT Angled Discrete Distribution Module Panel, Cat6, UTP, 1U, 48 port
760237066	CPP-6A-SDDM-SL-1U-48	CommScope Discrete Distribution Module Panel, Cat 6A, STP, 1U, 48 port
760237067	CPP-6-SDDM-SL-1U-48	CommScope Discrete Distribution Module Panel, Cat 6, STP, 1U, 48 port

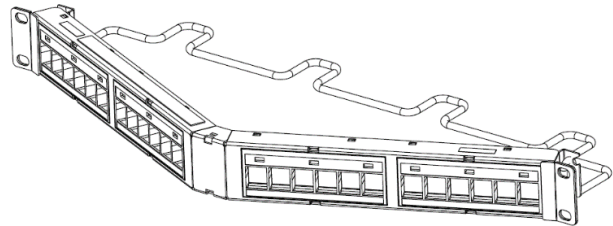


760241547	CPP-UDDM-KJ-2U-48	CommScope Discrete Distribution Module Panel, KJ, UTP, 2U, 48 port
760245529	CPPA-UDDM-M-1U-24-WH	CommScope Angled Discrete Distribution Module Panel, M-series, UTP, 1U, 24 port, White
760245530	CPPA-UDDM-M-2U-48-WH	CommScope Angled Discrete Distribution Module Panel, M-series, UTP, 2U, 48 port, White
760245531	CPP-UDDM-M-1U-24-WH	CommScope Discrete Distribution Module Panel, M-series, UTP, 1U, 24 port, White
760245532	CPP-UDDM-M-2U-48-WH	CommScope Discrete Distribution Module Panel, M-series, UTP, 2U, 48 port, White
760245361	CPPA-6A-SDDM-SL-1U-48	CommScope Discrete Angled Distribution Module Panel, Cat 6A, STP, 1U, 48 port
760256268	CPP-UDDM-E-SL-1U-48	CommScope Discrete Distribution Module Panel, Empty, SL, UTP, 1U, 48 port
760256545	CPPA-SDDM-SL-1U-24-WH	CommScope Angled Discrete Distribution Module Panel, SL, STP, 1U, 24 port, White
760256544	CPP-SDDM-SL-1U-24-WH	CommScope Discrete Distribution Module Panel, SL, STP, 1U, 24 port, White

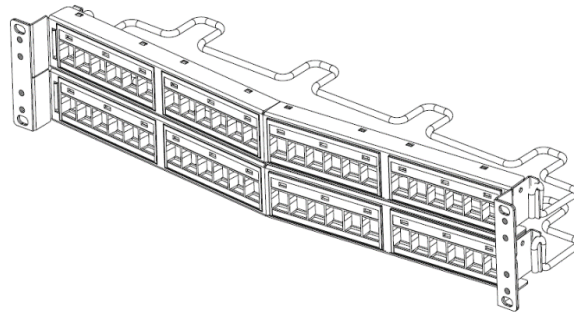
Note: sample product images shown below.



DDM Flat UTP Panel | CPP-UDDM-SL-1U-24



DDM Angled Panel | CPPA-UDDM-SL-1U-24



DDM Recessed Angled Panel | CPPR-UDDM-SL-2U-48

How to Contact Us

- To find out more about **CommScope®** products, visit us on the web at www.commscope.com/
- For technical assistance:
 - Within the United States, contact your local account representative or technical support at 1-800-344-0223. Outside the United States, contact your local account representative or **PartnerPRO™** Network Partner.
 - Within the United States, report any missing/damaged parts or any other issues to **CommScope** Customer Claims at 1-866-539-2795 or email to claims@commscope.com. Outside the United

States, contact your local account representative or **PartnerPRO** Network Partner.

Tools Required

- Phillips head screwdriver
- Flat blade screwdriver, max 2.9mm dia.

Parts List

Verify parts against parts list below:

Quantity						Description
24-Port Flat Panel	48-Port Flat Panel	24-Port Ang Panel	48-Port Ang Panel	24-Port R-Ang Panel	48-Port R-Ang Panel	
1	—	—	—	—	—	24-port flat panel
—	1	—	—	—	—	48-port flat panel
—	—	1	—	—	—	24-port angled panel
—	—	—	1	—	—	48-port angled panel
—	—	—	—	1	—	24-port recessed angled panel
—	—	—	—	—	1	48-port recessed angled panel
4	4	4	4	4	4	P12-24 x ½" mounting screws *
1	2	1	2	1	2	Label holder kit
1	2	1	2	1	2	Cable management bar
4	8	4	8	4	8	Hook-and-loop straps
2	4	2	4	2	4	Lock Nut **

WARNING – Important Safety Instructions

When using this product, the following basic safety precautions should be followed to reduce the risk of fire, electric shock, and injury to persons:

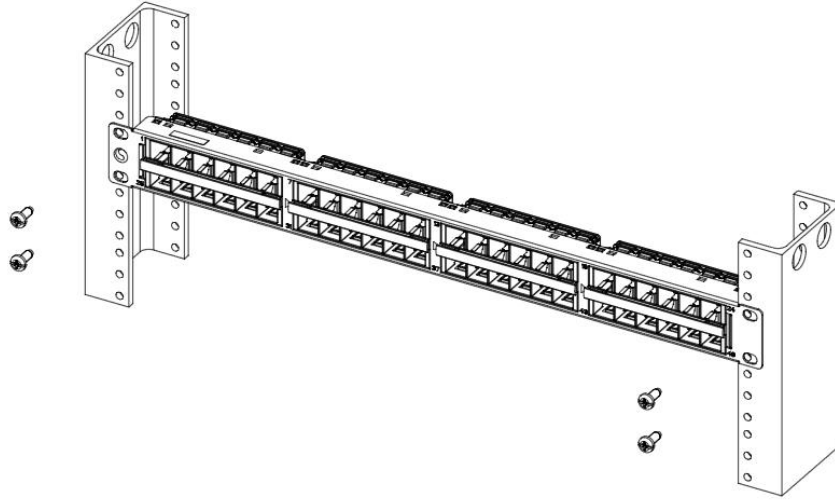
1. Never install communications wiring in wet locations unless it is designed for wet locations.
2. Never install this product during a lightning storm. There is a remote risk of electric shock.
3. Never touch uninsulated communication wiring or terminals unless the communication circuit has been disconnected at the network interface.
4. **Caution:** All wiring that connects to this equipment must meet applicable local and national building codes and network wiring standards for communication cable.

* Netconnect Panels do not include 12-24 mounting screws.

** Lock nut only included in shielded panels.

A. Installation of Panel

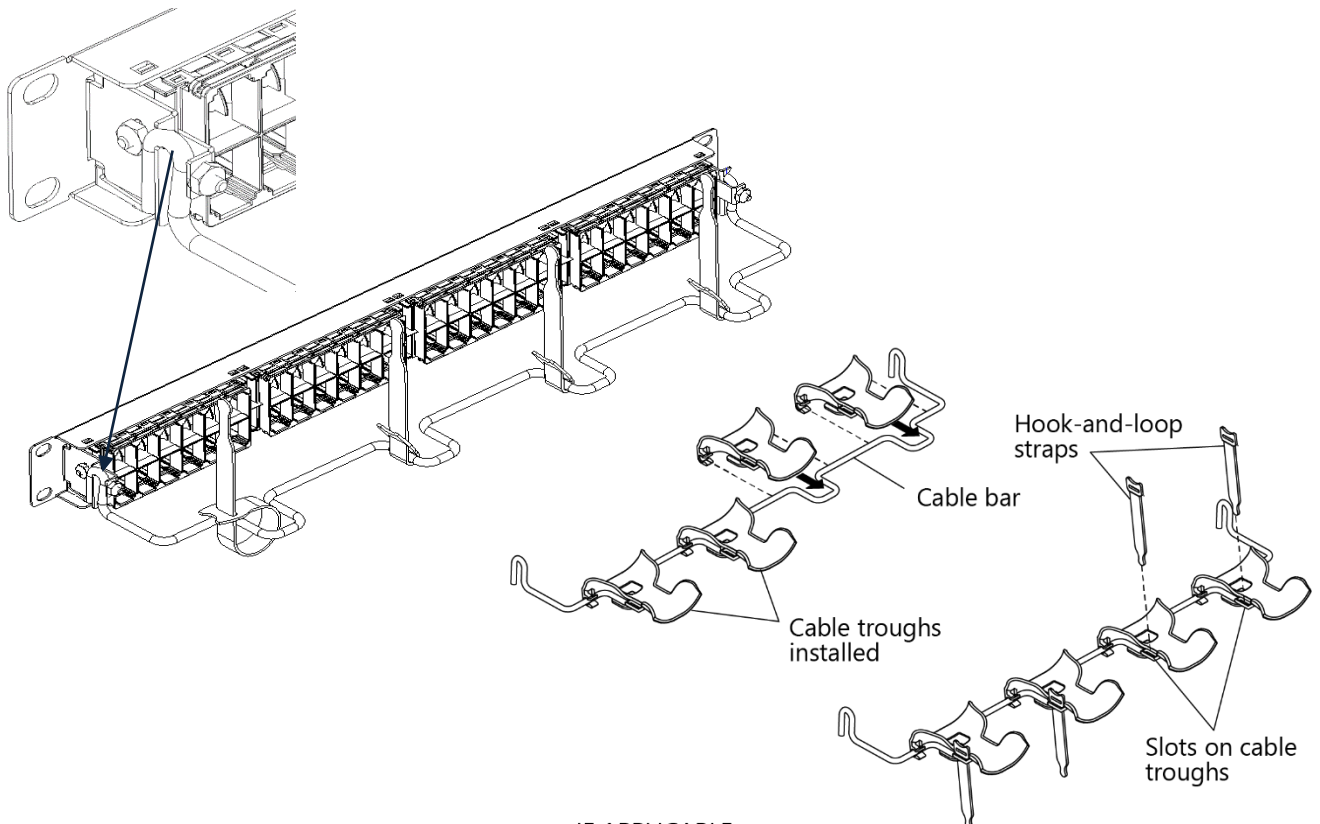
Step 1 – Mount Panel to Rack



1. Mount panel to rack.

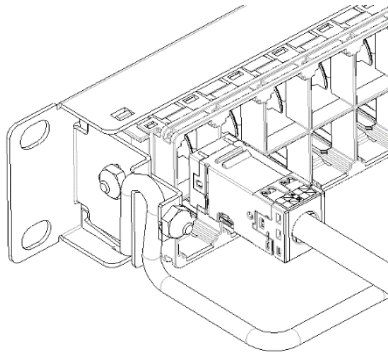
Step 2 – Assemble and Install Rear Cable Manager

1. Attach cable bar as shown and insert four hook-and-loop straps to cable bar.



IF APPLICABLE.
Attach the four cable troughs onto bar as shown and insert four
hook-and-loop straps into slots in cable troughs.
KIT 760253471 ORDERED SEPERATE

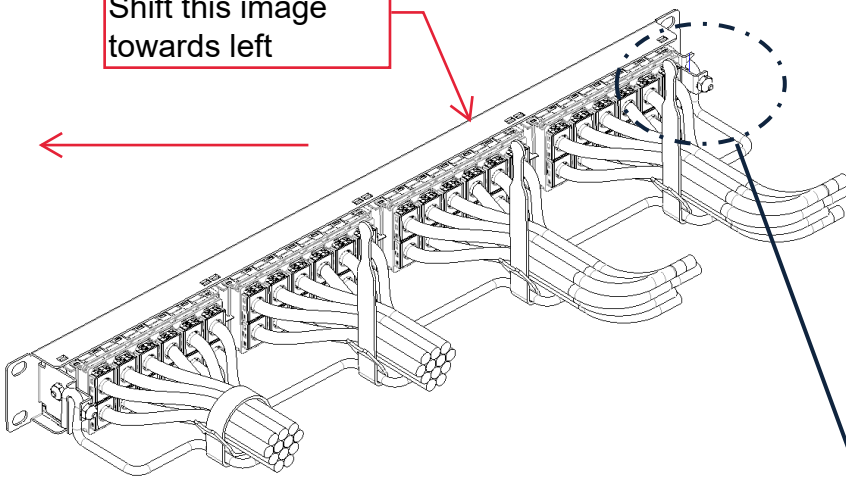
Step 3 – Populate Panel with Jacks and Connect Ground *



48-Port Panel

Shift this image towards left

Include 1U 48P Angled panel cable routing image similar to the one shown here for straight panel



Straight Panel

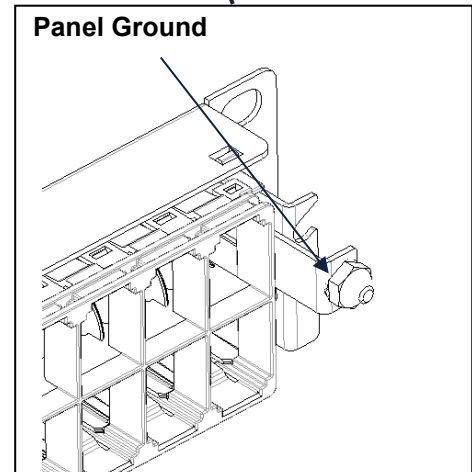
Angled Panel

1. Connect cables to jacks per instructions provided with the individual jacks.
2. Populate panel with jacks and route cabling as shown.

Note: Secure cables using the hook-and-loop straps provided.

3. * For shielded panels only, use one of two grounding lug connections provided on rear of panel and lock nut to ground the panel per approved local practices.

** For HD Angled Panel 760245361, use both ground lug connections provided on the rear of the panel and lock nut to ground the panel per approved local practices.



Step 4 – Attaching Information Labels

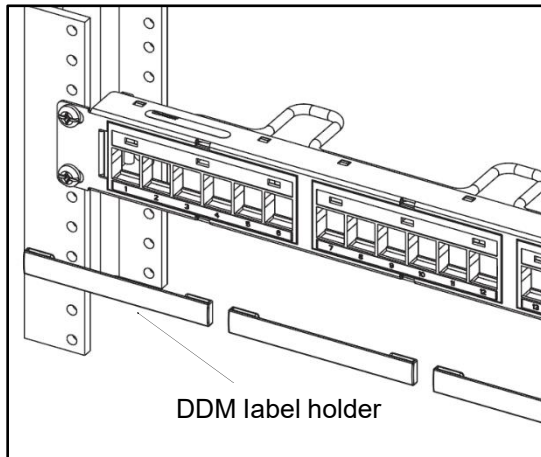


Figure 1

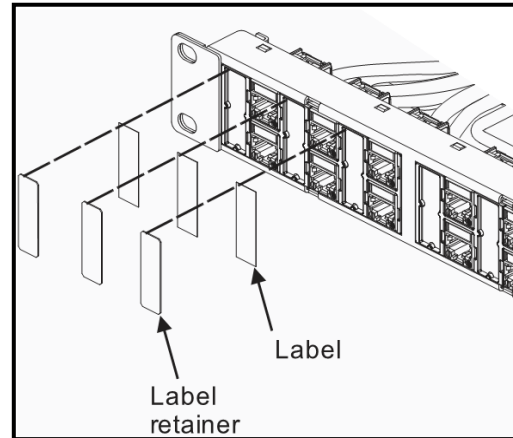
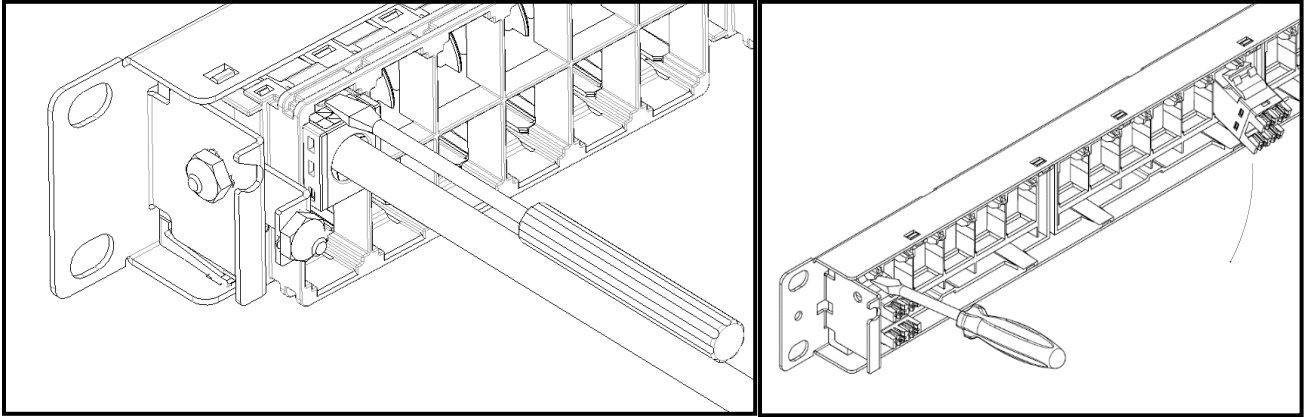


Figure 2

1. Enter information on the white information labels provided in label holder kits. Snap holders into panel modules and insert labels into label holders as shown in figure 1.
2. Print port designations on label sheets provided. Insert labels and label retainers as shown in figure 2.
3. To print a designation label, go to <http://www.commscope.com/Resources/Labeling-Templates> and scroll down to **Panels** and select the proper label template.

Note: Labeling website has two options for printing labels; letter size and A4 size.

B. To Remove a Jack from Panel



12 Port Jack Removal

6 Port Jack Removal

1. Insert a small, 2.9mm dia. max flat-blade screwdriver into the slot above the jack and rotate to release the latch.
2. Remove jack from rear of panel.
3. Note – cable management bar may need to be removed to enable access to the release slot on some jack positions.

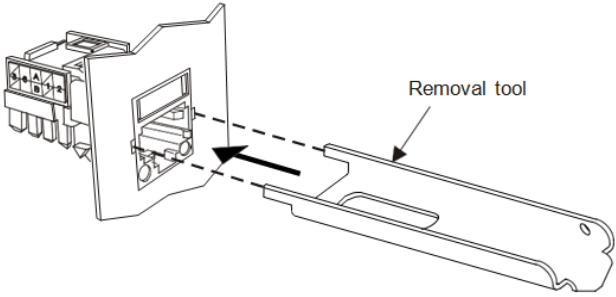
Jack Removal

1. To remove a jack for inspection or repair, insert prongs of removal tool into openings at sides of jack and press firmly.

Or

The jack wiring cap can also be used to remove a jack. Insert prongs of cap into openings at sides of jack and press firmly.

2. The jack can then be removed from the back.

The diagram shows a side view of a jack being removed from a panel. A removal tool is shown with its prongs inserted into the side openings of the jack. A dashed arrow points from the tool to the jack, and a solid arrow points from the jack to the panel, indicating the direction of removal. The tool is labeled "Removal tool".

M-Series Jack Removal

Trade-marks

All trademarks identified by ® or ™ are registered trademarks or trademarks, respectively, of CommScope, Inc. This document is for planning purposes only and is not intended to modify or supplement any specifications or warranties relating to CommScope products or services. CommScope is committed to the highest standards of business integrity and environmental sustainability, with a number of CommScope's facilities across the globe certified in accordance with international standards, including ISO 9001, TL 9000, and ISO 14001.

Further information regarding CommScope's commitment can be found at www.commscope.com/About-Us/Corporate-Responsibility-and-Sustainability.

Contact information

Visit our website or contact your local CommScope representative for more information.

For technical assistance, customer service, or to report any missing/damaged parts, visit us at:

<http://www.commscope.com/SupportCenter>

Or Contact PartnerPRO Network Partner <https://www.commscope.com/Partners/PartnerPRO-Network>

This product may be covered by one or more U.S. patents or their foreign equivalents.
For patents, see www.cs-pat.com