

4

3

2

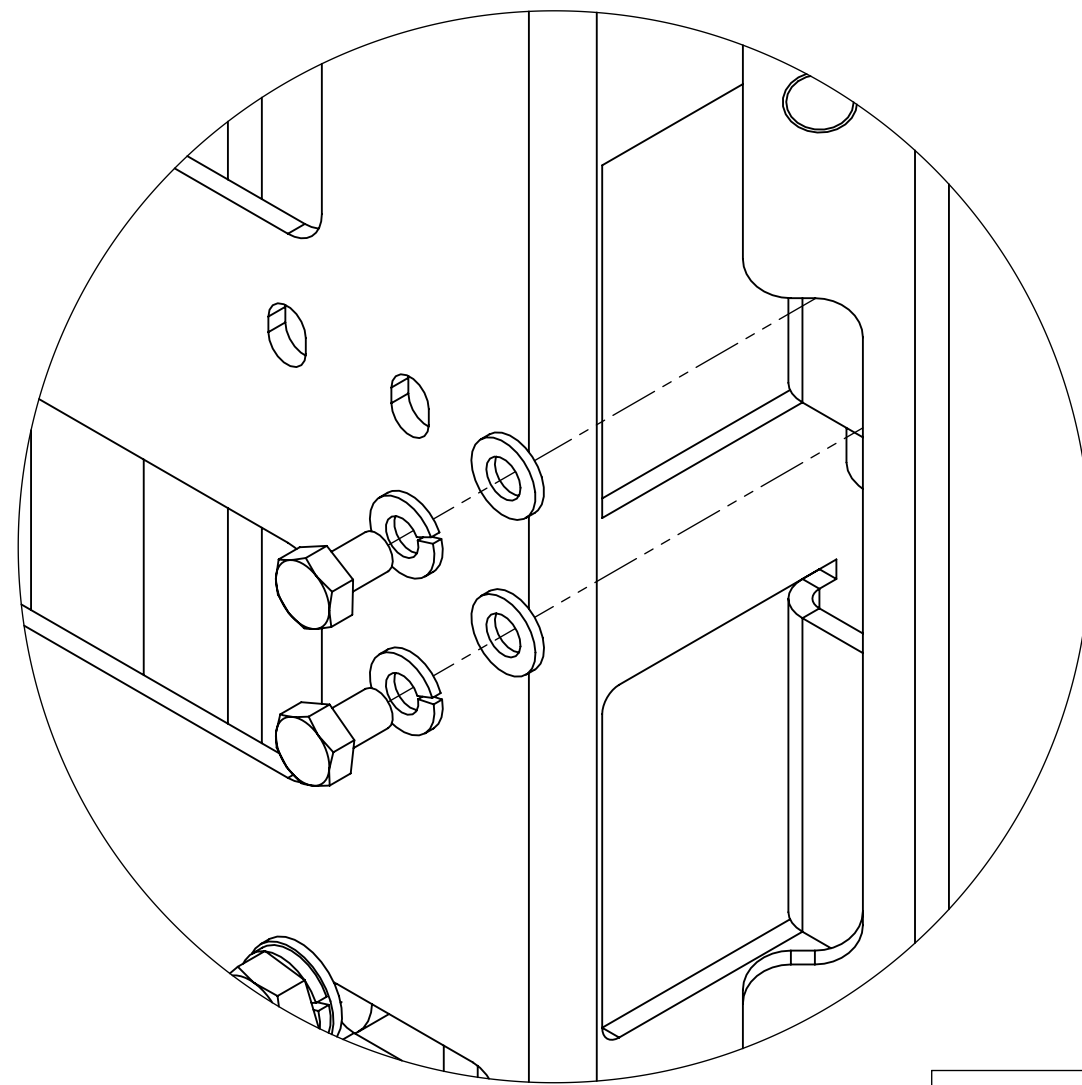
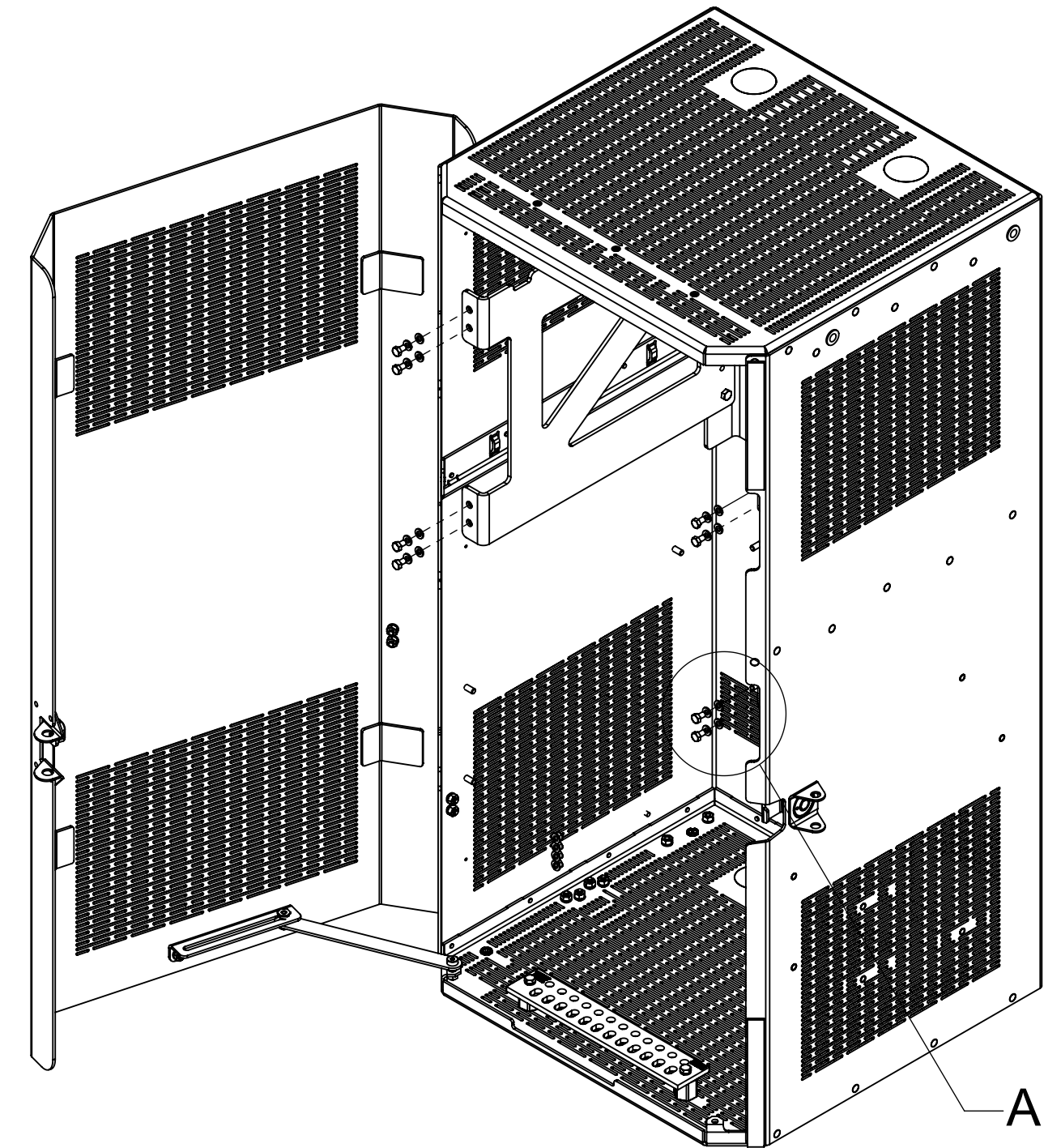
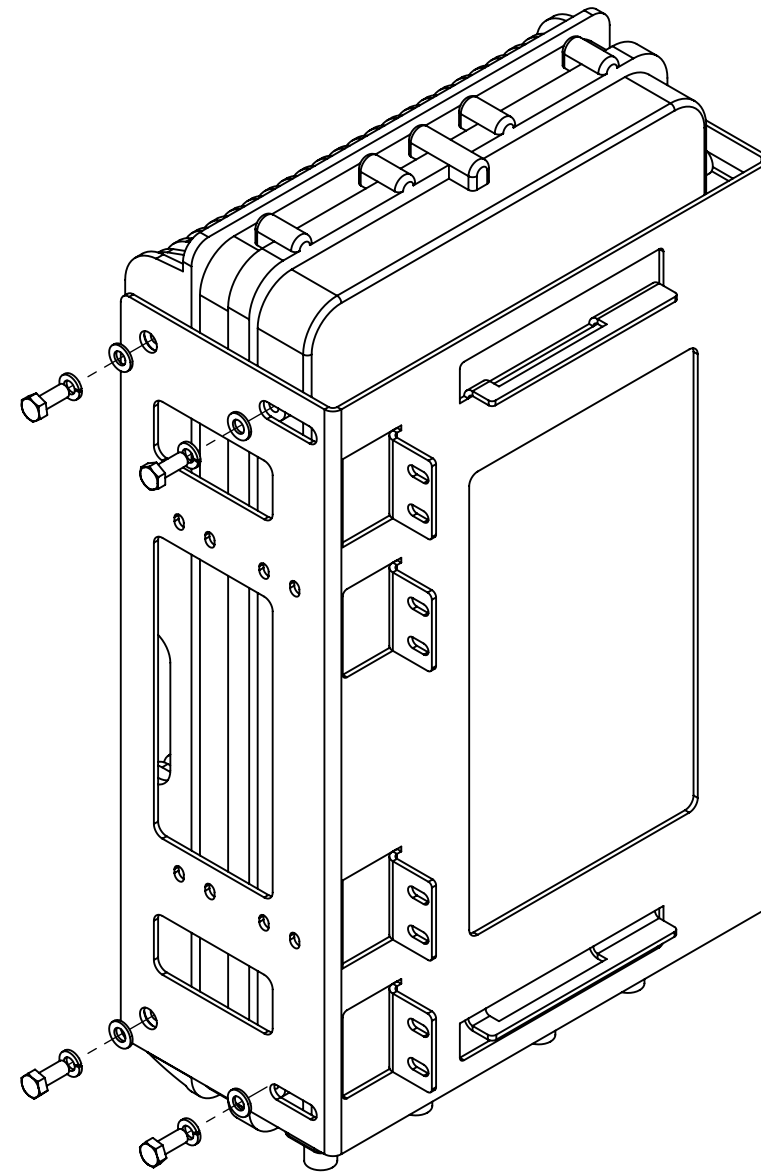
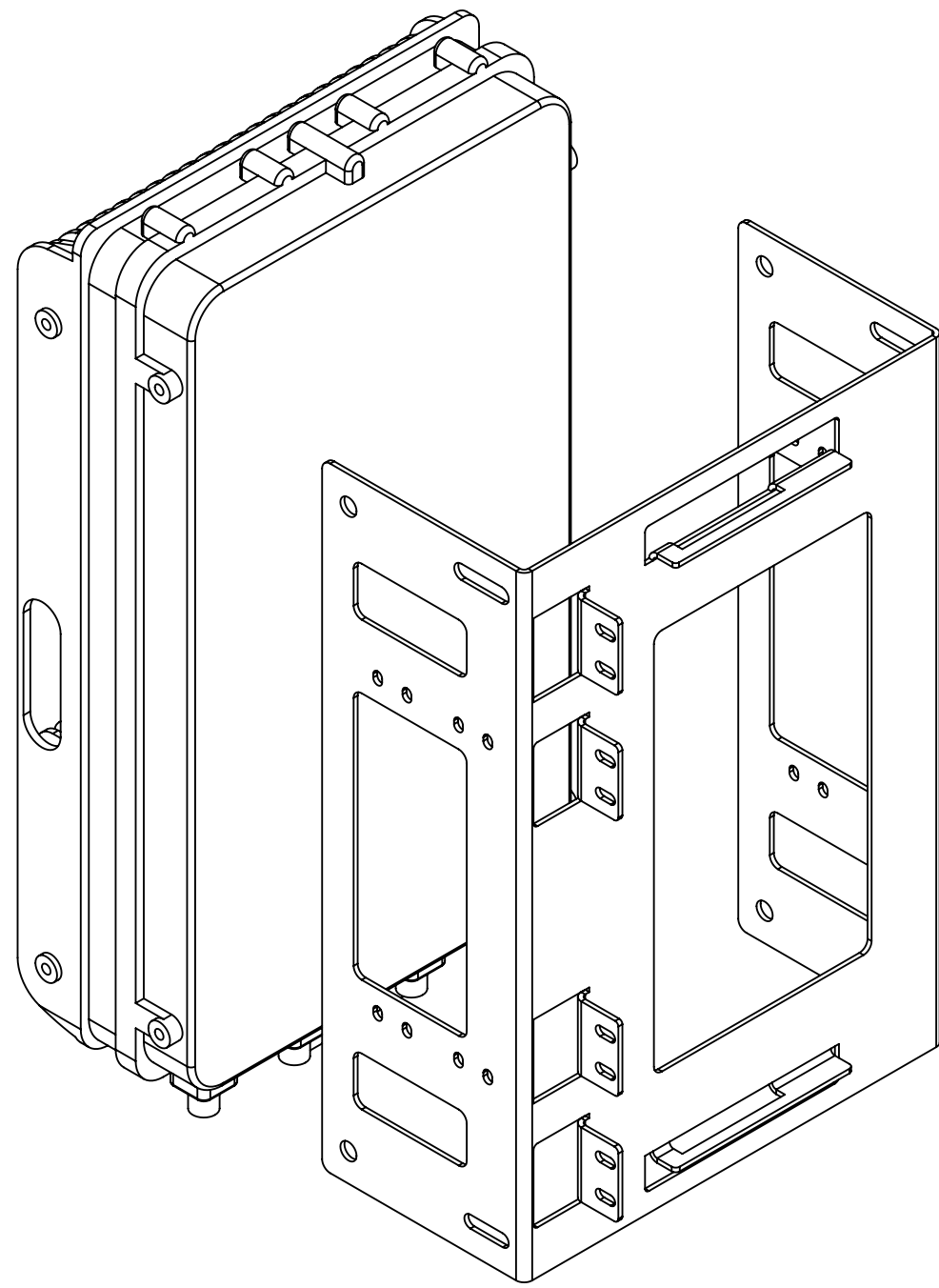
1

1. SLIDE THE DUAL BAND RADIO INSIDE THE MOUNTING BRACKET

2. SECURE THE RADIO AND BRACKET TOGETHER USING FOUR SETS OF M8 HEX BOLT, FLAT WASHER AND LOCK WASHER

3. HANG THIS ASSEMBLY TO THE EQUIPMENT MOUNT BRACKETS AND SECURE USING FOUR SETS OF M6 BOLT, FLAT WASHER AND LOCK WASHER

REVISIONS				
REV.	ECN	DESCRIPTION	BY	DATE
A	8000031204	INITIAL RELEASE	JP1130	9/17/2020
B	8000041061	ADDED SHEET 5 & 6	SF1043	7/15/2020



DETAIL A

DENSITY	lbs/in <sup>3</sup>
MASS	lbs
VOLUME	in <sup>3</sup>
SURFACE AREA	in <sup>2</sup>
HEIGHT	
LENGTH	
WIDTH	

COMMSCOPE, INC. OF NORTH CAROLINA									
TOLERANCES					SAP MATERIAL MASTER				
1 PLACE .X ±		3 PLACE .XXX ±			760237600N3KIT				
2 PLACE .XX ±		ANGLES ±							
FINISH					MATERIAL				
UNLESS OTHERWISE SPECIFIED DIMENSIONS ARE IN INCHES INTERPRET PER ANSI Y 14.5M-1994	NAME	DATE	TITLE						
	CE JP1130	09/17/2018	N3 MC RE ASSEMBLY INSTRUCTIONS						
	RW CB1074	07/28/2020							
	RV CB1074	07/28/2020							
	RE SF1043	07/28/2020							
ECN 008000041061	SCALE 1:7	DOCUMENT NO. 760237600N3KIT							
SIZE WORK AREA 24	MODEL			DRAWING					
C	VERSION 08	STATUS RE	REVISION F	VERSION 03	STATUS RE	REVISION B	SHEET 1 OF 6		

4

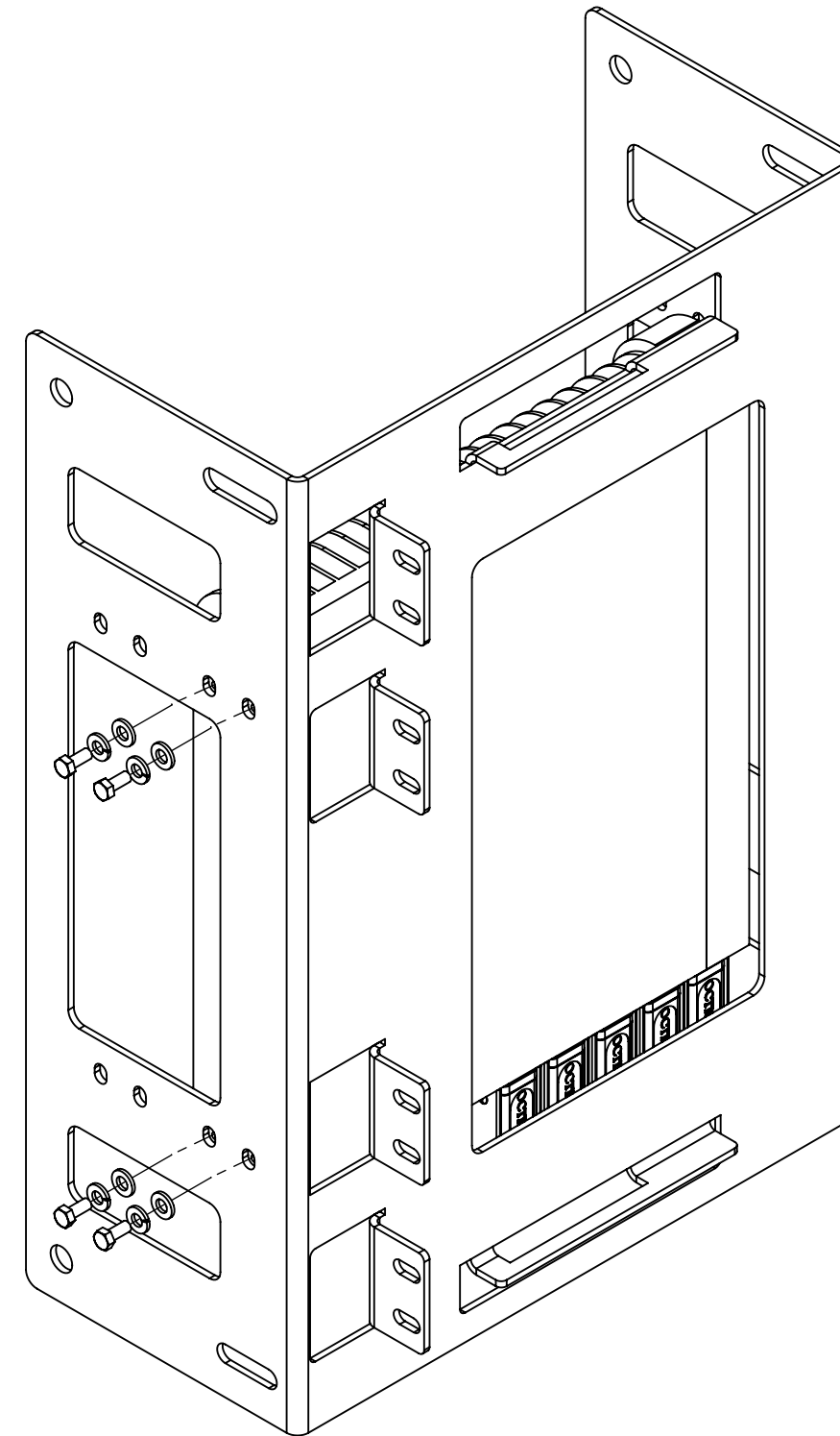
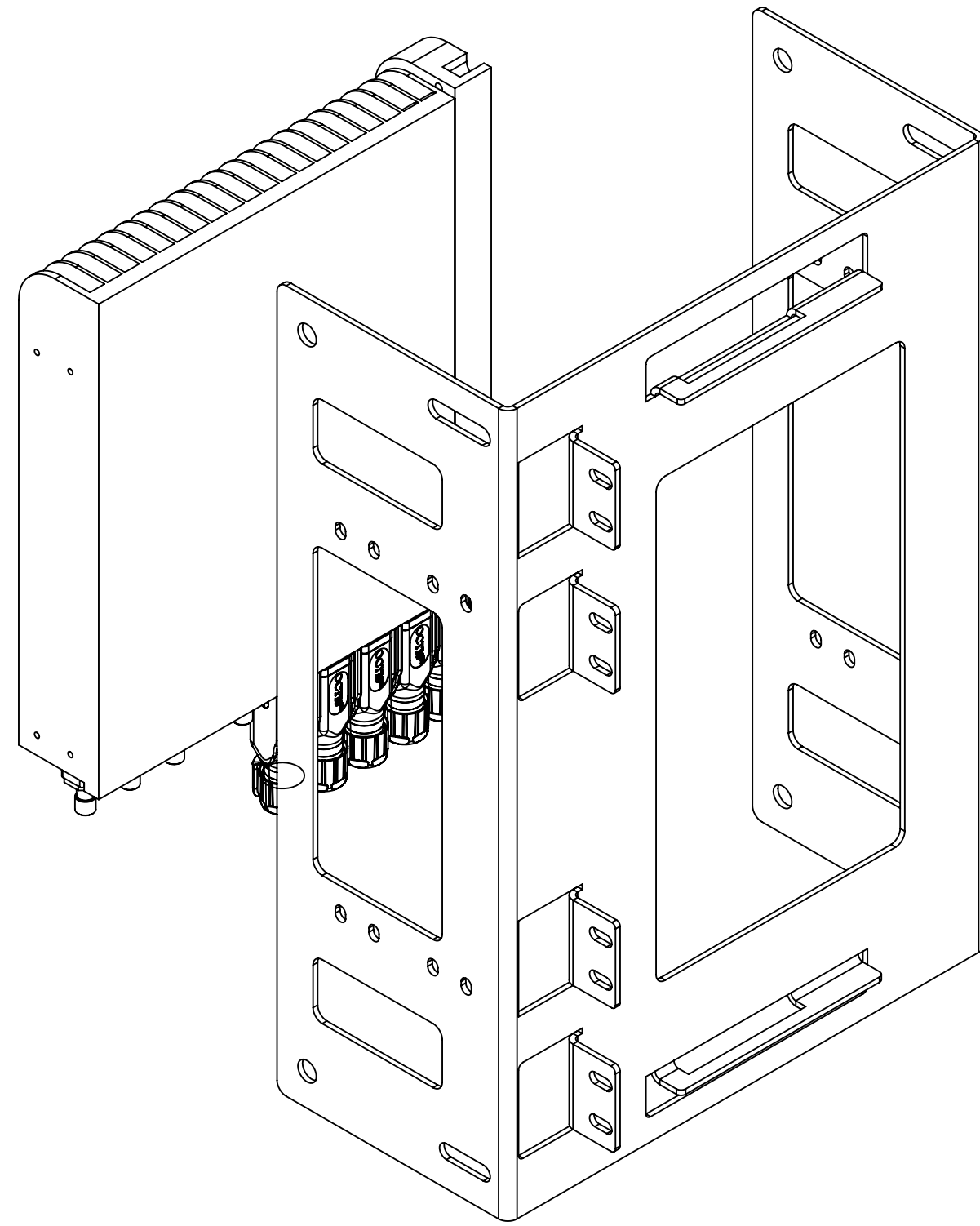
3


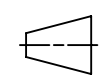
2

1

1. SLIDE THE AIRSCALE MICRO RADIO INSIDE THE MOUNTING BRACKET

2. SECURE THE RADIO AND BRACKET TOGETHER USING FOUR SETS OF M5 HEX BOLT, FLAT WASHER AND LOCK WASHER  
3. 2 X RADIOS MAYBE INSTALLED TO ONE BRACKET



COMMSCOPE, INC. OF NORTH CAROLINA				
TITLE N3 MC RE ASSEMBLY INSTRUCTIONS				
SIZE <b>C</b>	SCALE <b>1:4</b>	DOCUMENT NO. 760237600N3KIT		
 		DRAWING		SHEET 2 OF 6
		VERSION 03	STATUS RE	

4

3

2

1

4

3

2

1

D

D

1. INSTALL THE NOKIA RADIO SUPPORT STRAPS TO THE 2X MOUNTING BRACKETS USING (4) SETS OF M6 HEX BOLT, FLAT WASHER, LOCK WASHER AND CLIP NUT
2. STRAP EARS LOCATED BEHIND UNUSED RADIO BRACKETS AS SHOWN PER DETAIL E

C

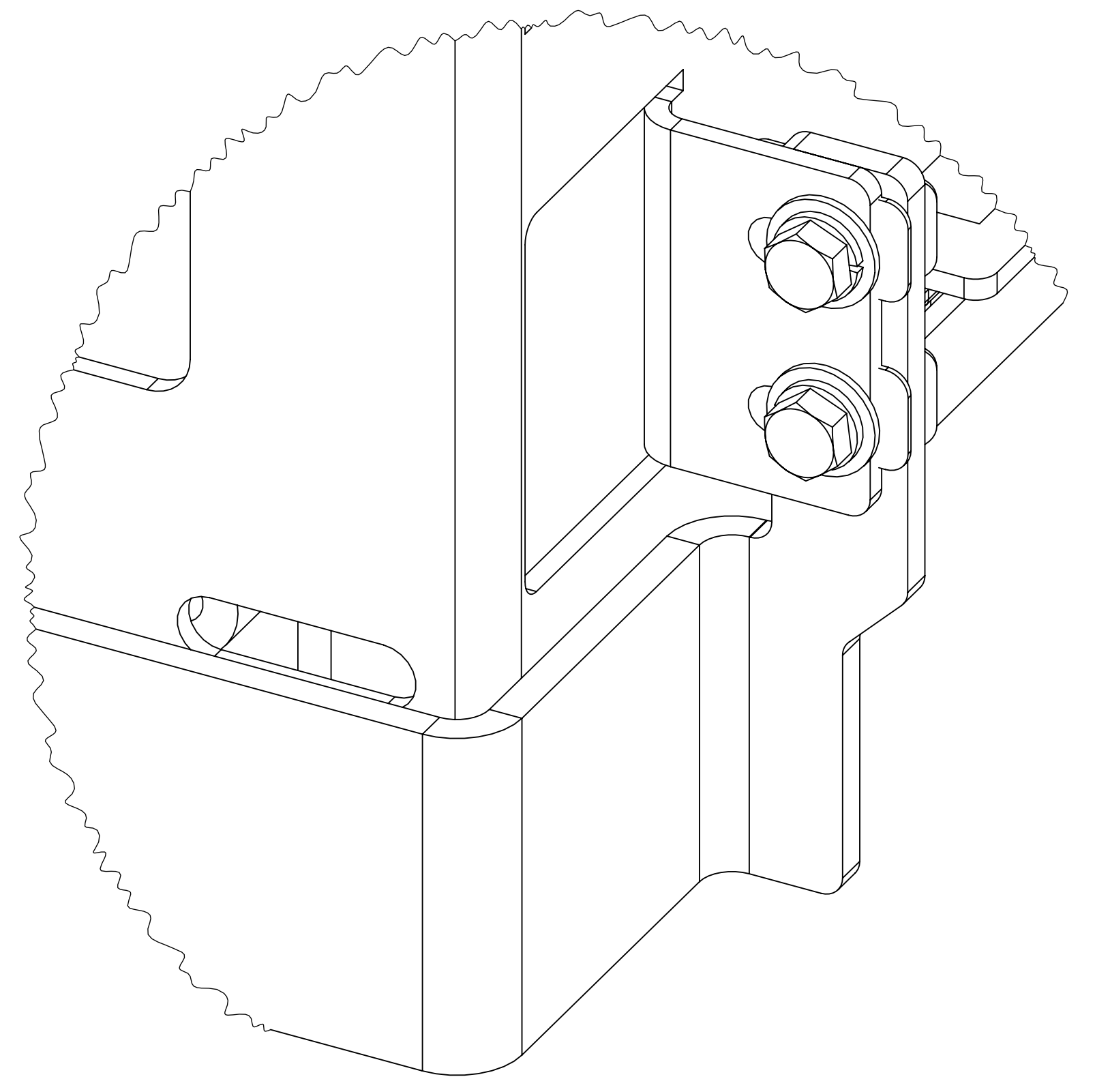
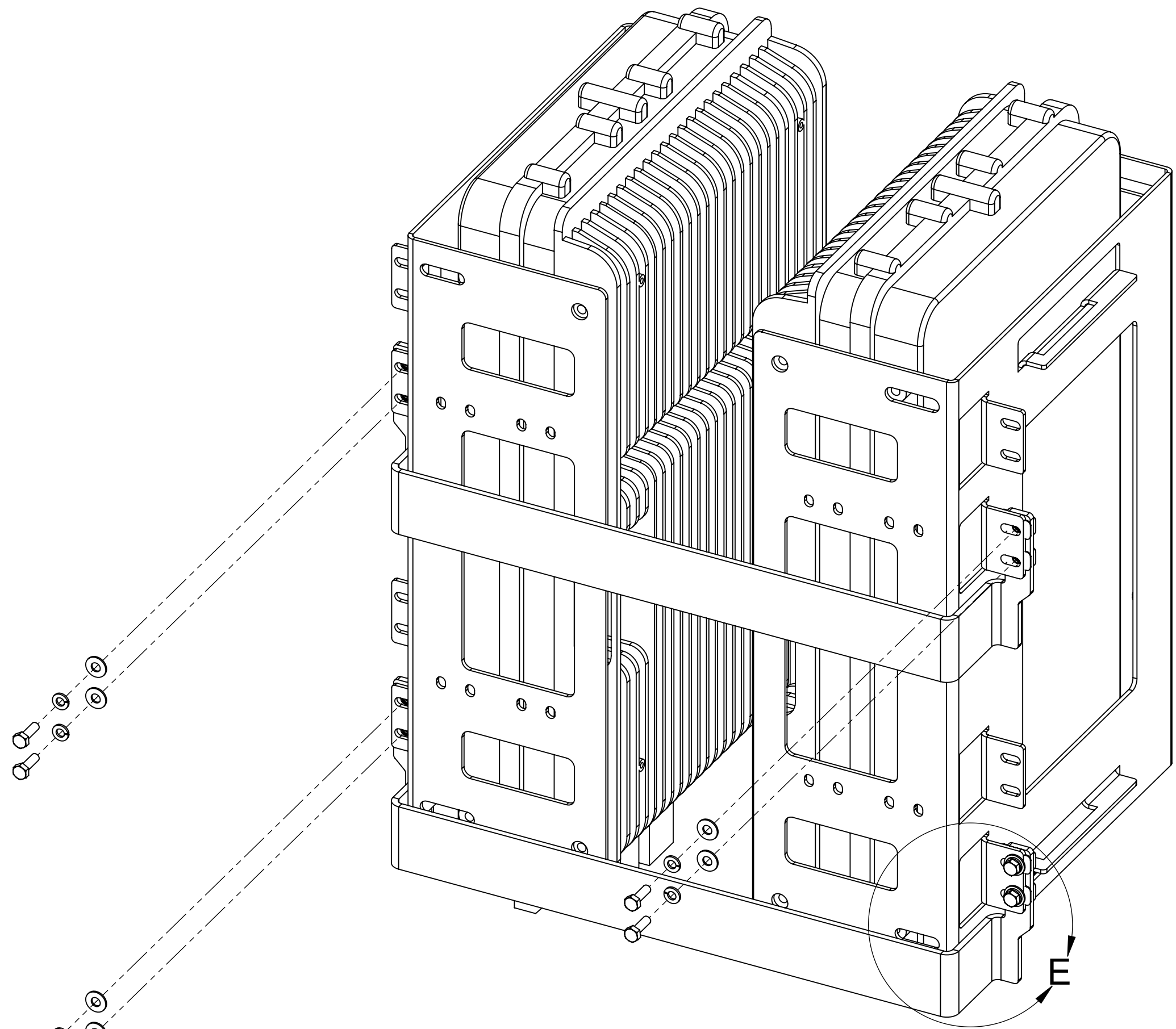
C

B

B

A

A



DETAIL E

COMMSCOPE, INC. OF NORTH CAROLINA				
TITLE N3 MC RE ASSEMBLY INSTRUCTIONS				
SIZE C	SCALE 1:2	DOCUMENT NO. 760237600N3KIT		
		DRAWING		SHEET
		VERSION	STATUS	REVISION
		03	RE	B
				3 OF 6

4

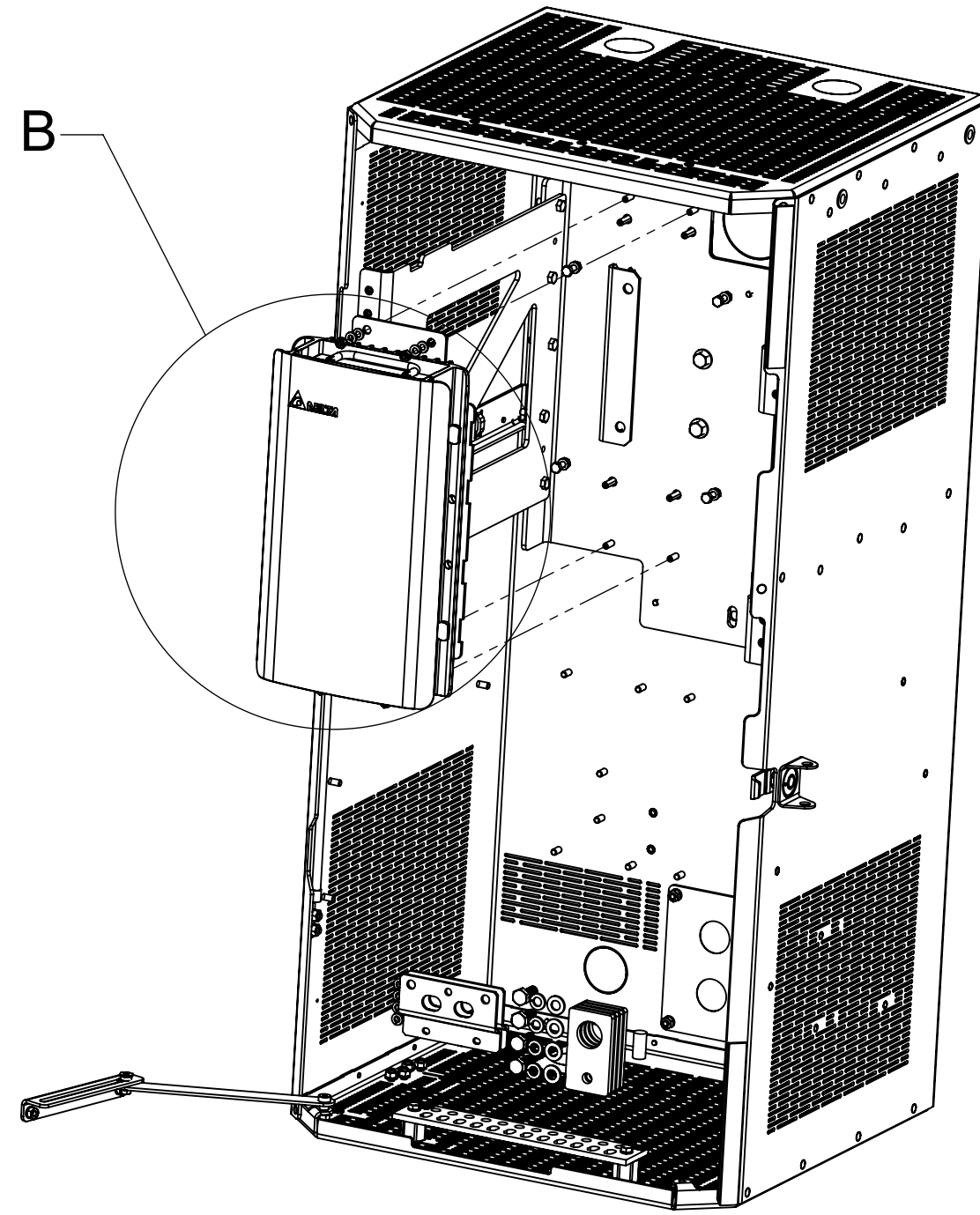
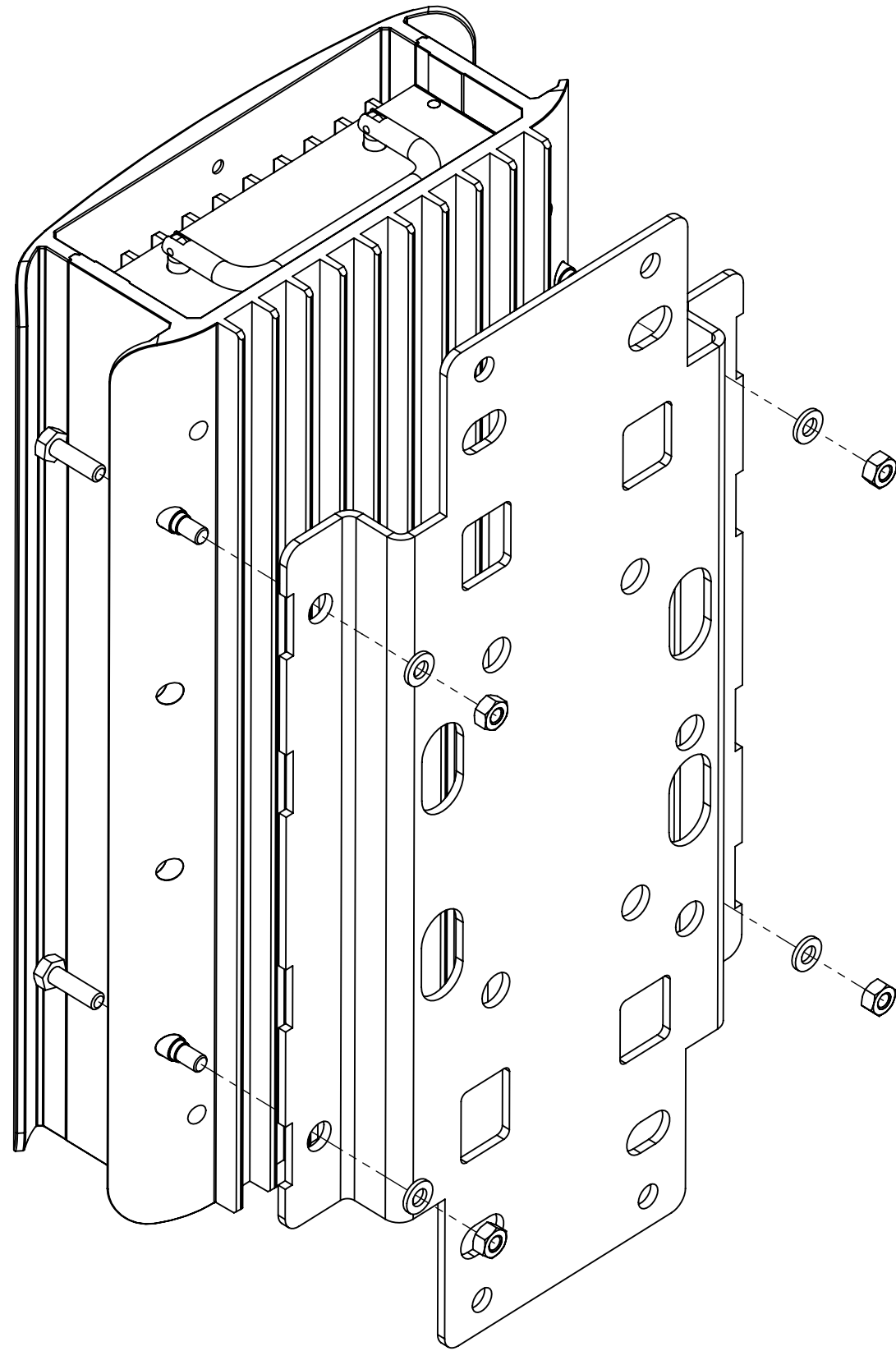
3

2

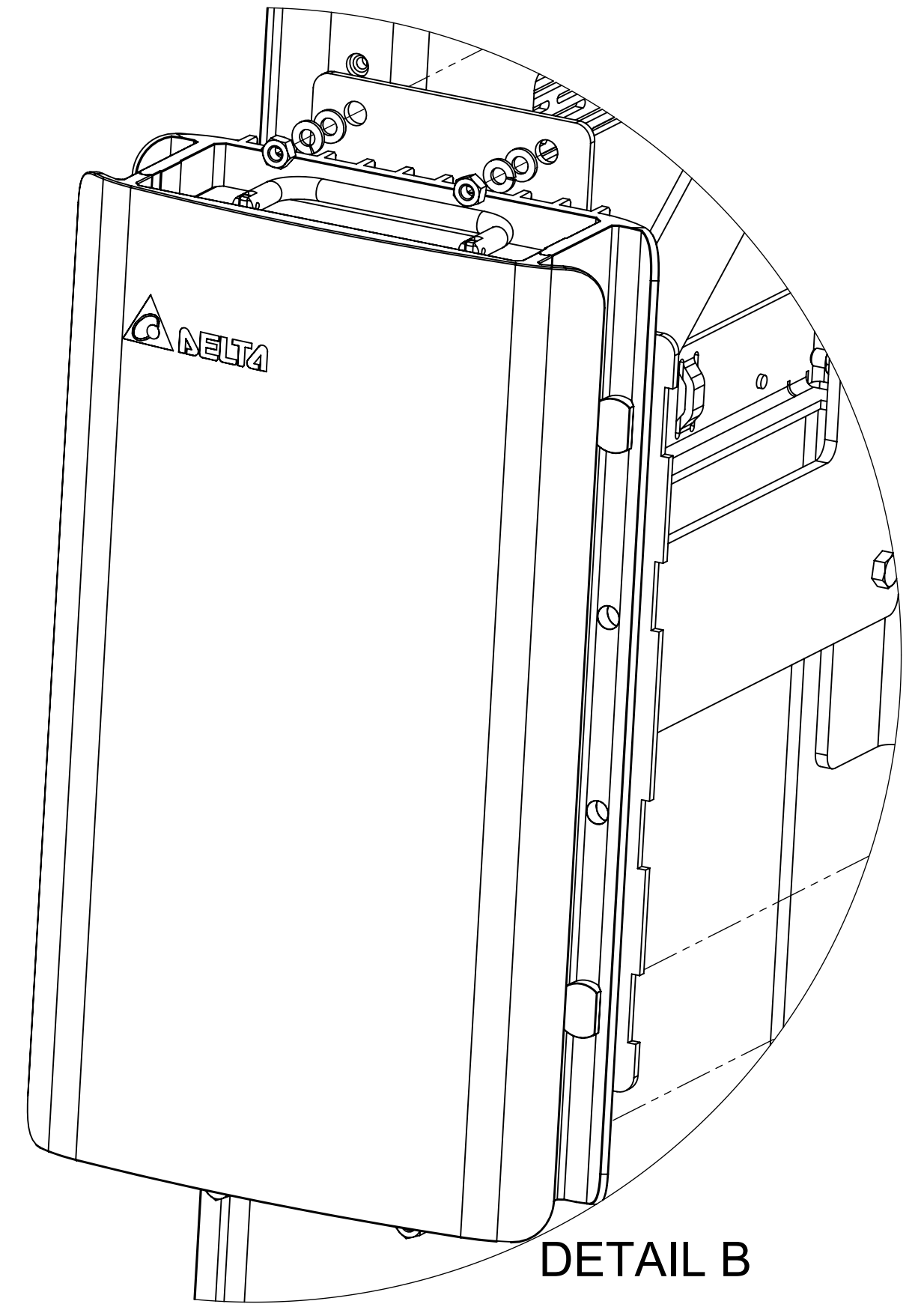
1

1. INSTALL THE DELTA RECTIFIER TO THE MOUNTING BRACKET USING FOUR SETS OF M6 HEX BOLT, FLAT WASHER, LOCK WASHER AND HEX NUT

2. SECURE THE RECTIFIER AND BRACKET ASSEMBLY TO THE EQUIPMENT MOUNT SUBASSEMBLY USING FOUR SETS OF M6 HEX NUT, FLAT WASHER AND LOCK WASHER  
 3. THE ENCLOSURE CAN ACCOMMODATE 2 SUCH RECTIFIER-BRACKET ASSEMBLIES



ENCLOSURE DOOR NOT SHOWN FOR CLARITY

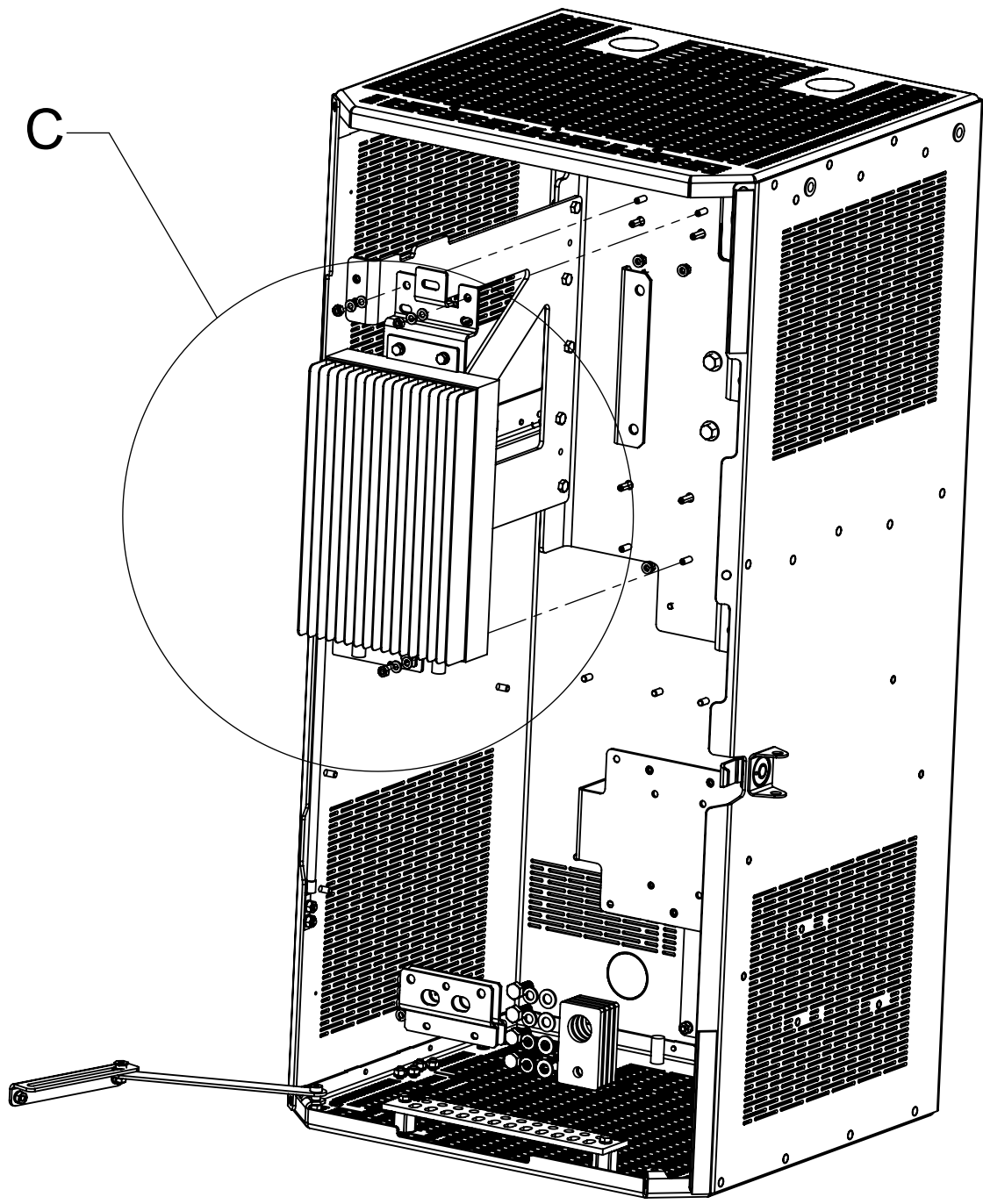
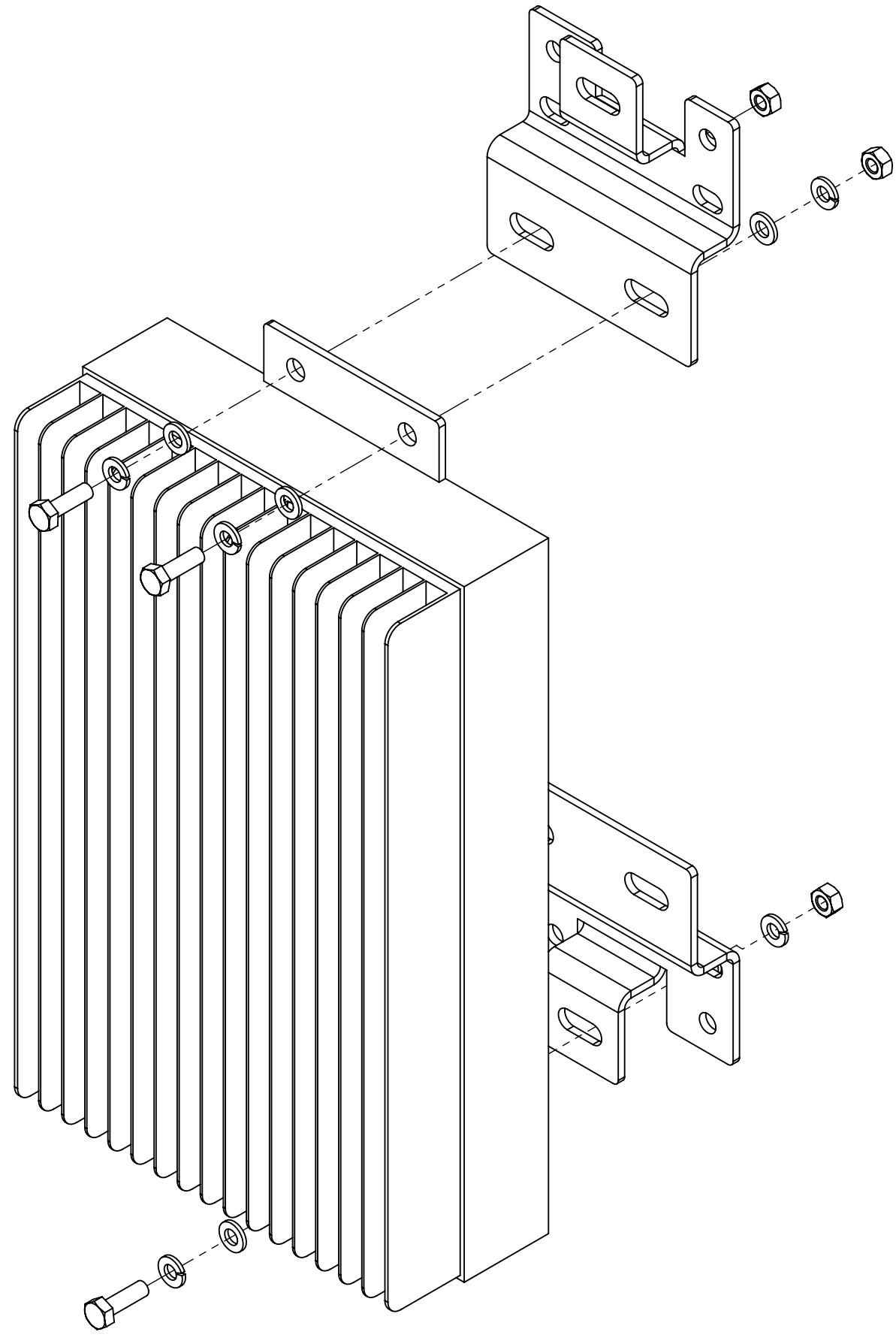


DETAIL B

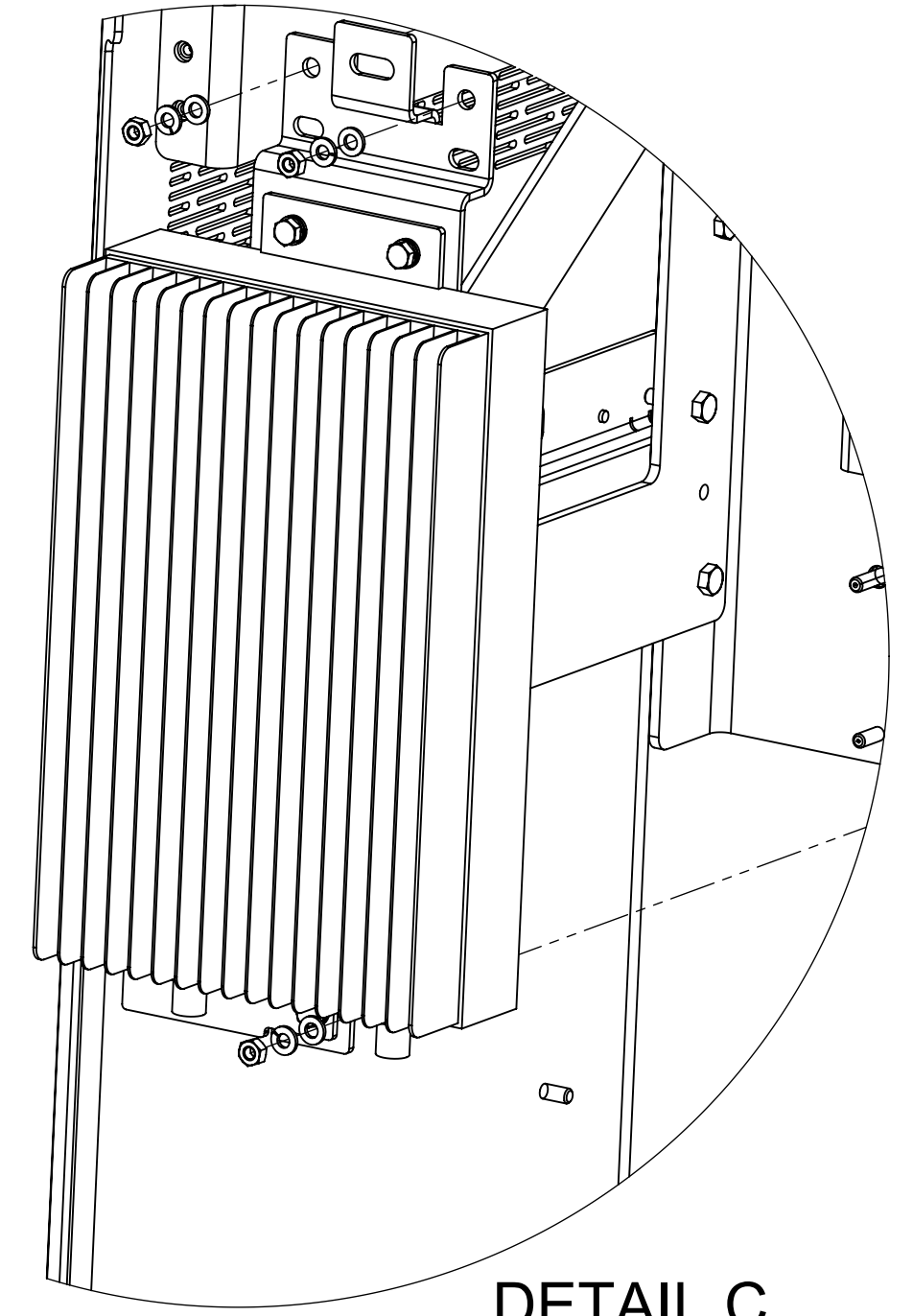
COMMSCOPE, INC. OF NORTH CAROLINA				
TITLE N3 MC RE ASSEMBLY INSTRUCTIONS				
SIZE C	SCALE 1:7	DOCUMENT NO. 760237600N3KIT		
		DRAWING		SHEET
		VERSION	STATUS	REVISION
		03	RE	B
				4 OF 6

1. INSTALL THE FPAE RECTIFIER TO THE 2 X MOUNTING BRACKETS USING 3 SETS OF M6 HEX BOLT, FLAT WASHER, LOCK WASHER AND HEX NUT

2. SECURE THE RECTIFIER AND BRACKET ASSEMBLY TO THE EQUIPMENT MOUNT SUBASSEMBLY USING THREE SETS OF M6 HEX NUT, FLAT WASHER AND LOCK WASHER  
 3. THE ENCLOSURE CAN ACCOMMODATE 2 SUCH RECTIFIER-BRACKET ASSEMBLIES



ENCLOSURE DOOR NOT SHOWN FOR CLARITY



DETAIL C

COMMSCOPE, INC. OF NORTH CAROLINA				
TITLE N3 MC RE ASSEMBLY INSTRUCTIONS				
SIZE C	SCALE 1:7	DOCUMENT NO. 760237600N3KIT		
		DRAWING		SHEET
		VERSION 03	STATUS RE	REVISION B
				5 OF 6

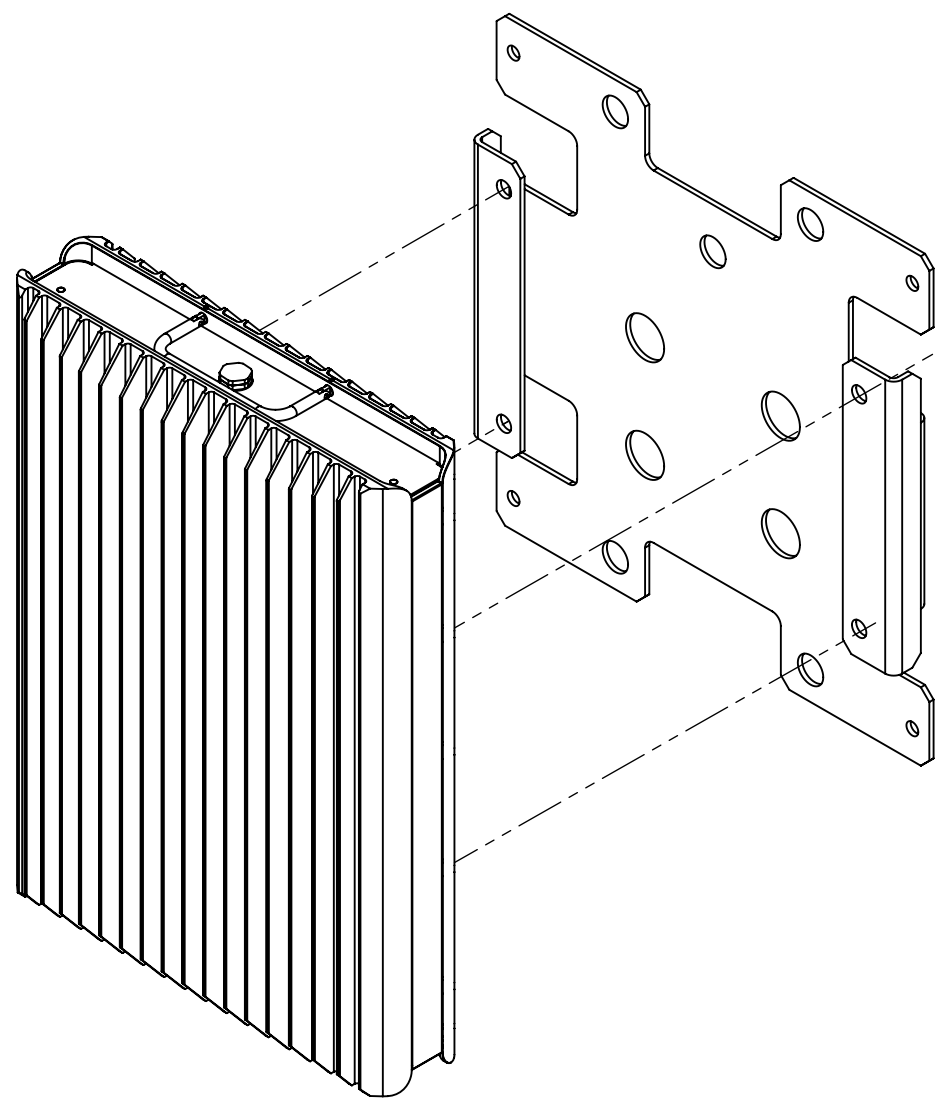
4

3

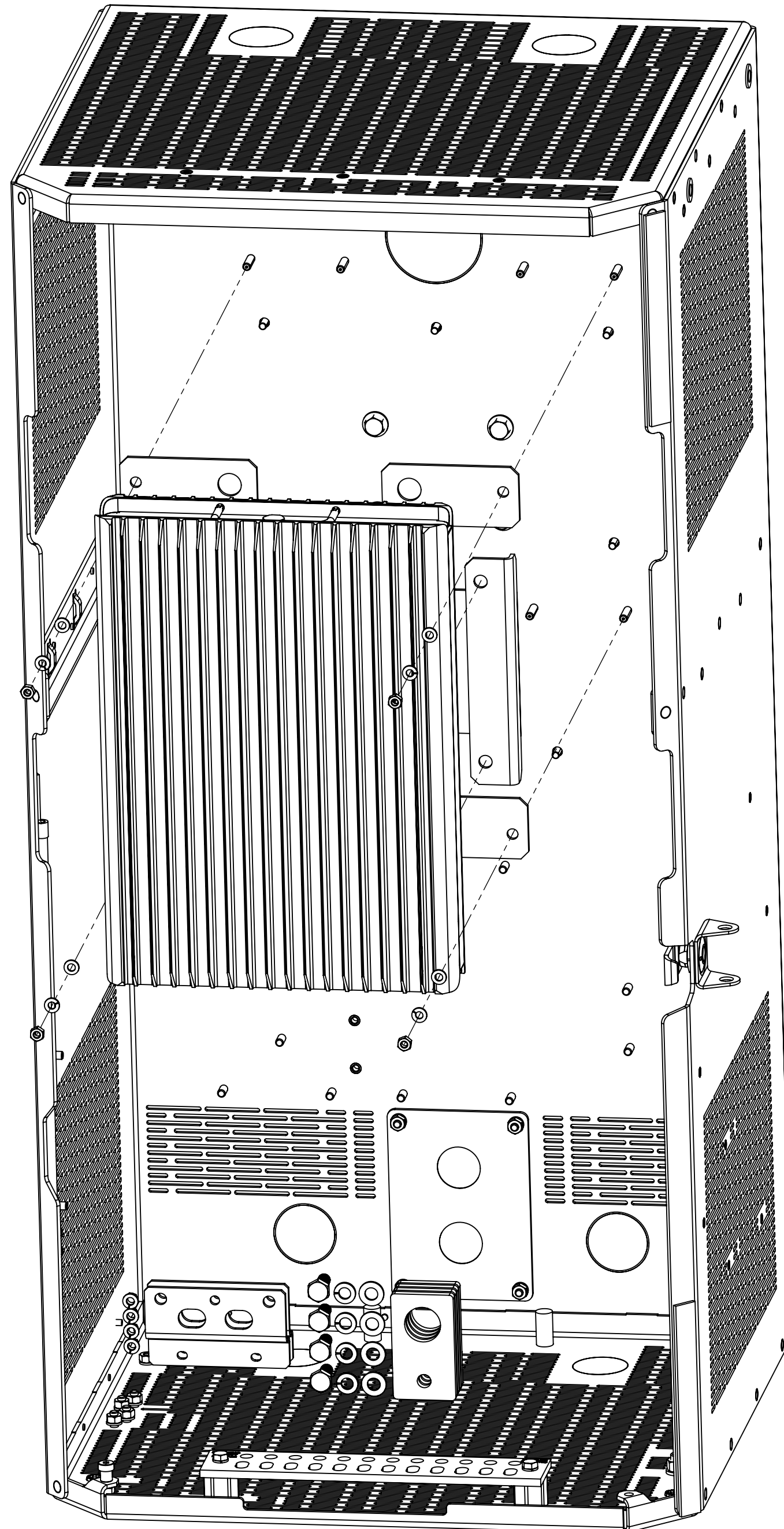
2

1

- 1. INSTALL THE DELTA RECTIFIER TO THE MOUNTING BRACKET USING 4 SETS OF M6 HEX BOLT, LOCK WASHER & FLAT WASHER



- 2. SECURE THE RECTIFIER AND BRACKET ASSEMBLY TO THE BACK WALL AS SHOWN USING FOUR SETS OF M6 HEX NUT, FLAT WASHER AND LOCK WASHER
- 3. THE ENCLOSURE CAN ACCOMMODATE 1 RECTIFIER-BRACKET ASSEMBLIES



COMMSCOPE, INC. OF NORTH CAROLINA				
TITLE N3 MC RE ASSEMBLY INSTRUCTIONS				
SIZE C	SCALE 1:7	DOCUMENT NO. 760237600N3KIT		
		DRAWING		SHEET
		VERSION	STATUS	REVISION
		03	RE	B
				6 OF 6

4

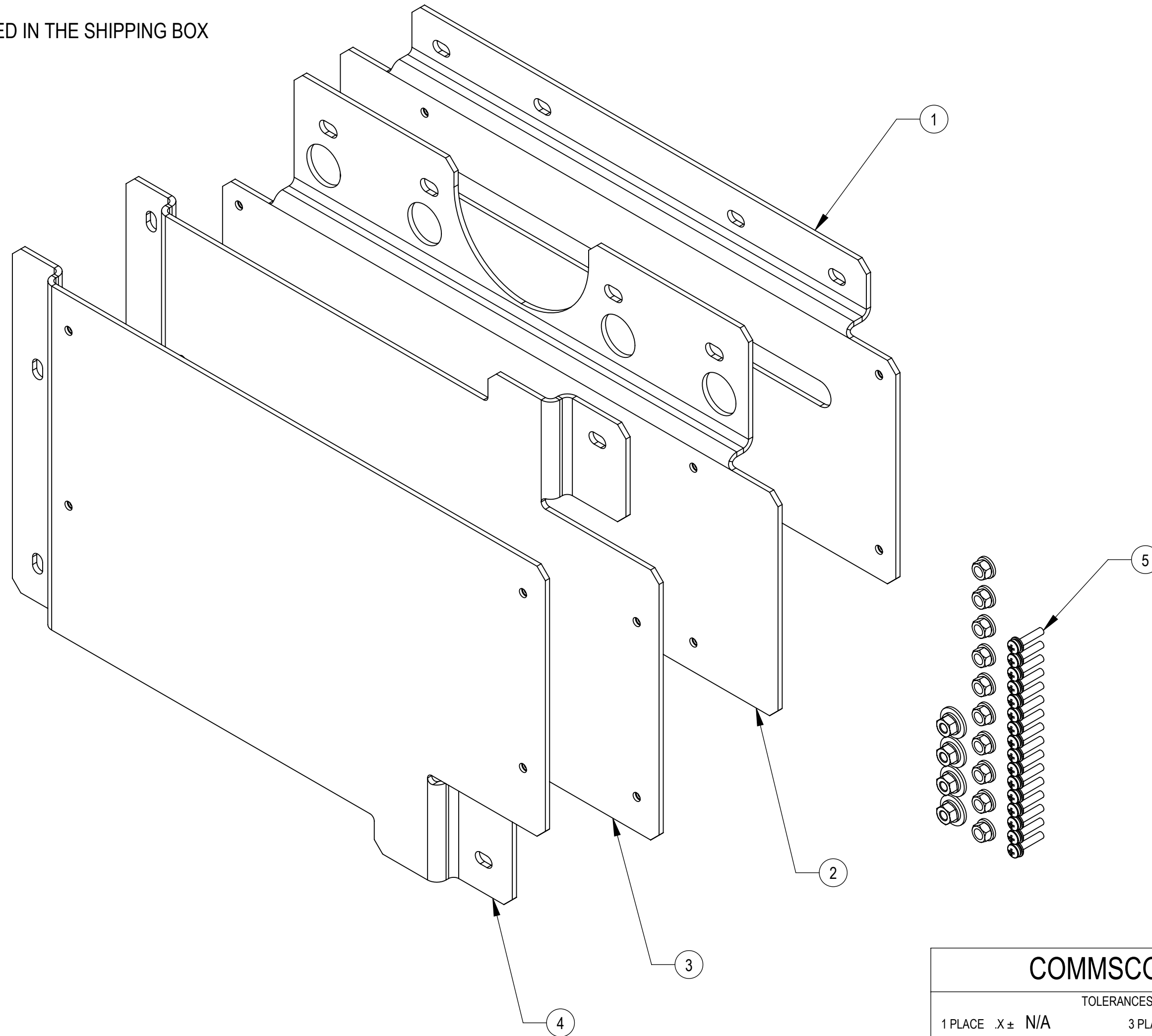
3

2

1

1. GENERAL NOTES
  - 1.1 ALL METRIC DIMENSIONS ARE IN BRACKETS
  - 1.2 FEATURES CRITICAL TO QUALITY ARE INDICATED IN ROUNDED BOX (X.X)
2. DESIGN NOTES
3. MANUFACTURING/SPECIAL REQUIREMENT
4. TEST
5. PACKAGING
  - 5.1 PRINTED DOCUMENT TO BE INCLUDED IN THE SHIPPING BOX

REVISIONS				
REV.	ECN	DESCRIPTION	BY	DATE
A	8000038526	INITIAL RELEASE	JP1130	12/04/2019



<b>COMMSCOPE, INC. OF NORTH CAROLINA</b>										
TOLERANCES					SAP MATERIAL MASTER					
1 PLACE .X ± N/A		3 PLACE .XXX ± N/A			<b>860652654-1</b>					
2 PLACE .XX ± N/A		ANGLES ± N/A								
FINISH N/A					MATERIAL SEE BOM					
UNLESS OTHERWISE SPECIFIED DIMENSIONS ARE IN INCHES INTERPRET PER ANSI Y 14.5M-1994	CE	JP1130	11/25/2019	<b>CCI BRACKET KIT FOR MICRO ENCLOSURE</b>						
	RW	JP1130	12/05/2019							
	RV									
	AD	RW1043	12/05/2019							
	RE	JP1130	12/05/2019							
ECN 008000038526				SCALE	DOCUMENT NO.					
				<b>1:2</b>	<b>860652654-1</b>					
SIZE	WORK AREA	24	MODEL			DRAWING				SHEET
<b>C</b>			VERSION	STATUS	REVISION	VERSION	STATUS	REVISION	1 OF 6	
			00	RE	A	00	RE	A		

ITEM NO.	PART NUMBER	DESCRIPTION	QTY.	NOTE
1	MTM1031-1501	CCI BRACKET LOWER BACK	1	
2	MTM1031-1502	CCI BRACKET UPPER BACK	1	
3	MTM1031-1503	CCI BRACKET, LEFT	1	
4	MTM1031-1504	CCI BRACKET, RIGHT	1	
5	MTM00HK-0009	CCI PSU HW KIT	1	
6	860652654-1	REFERENCE DOCUMENT	1	5.1

DENSITY		lbs/in <sup>3</sup>
MASS	253.59	lbs
VOLUME	7680.56	in <sup>3</sup>
SURFACE AREA	41702.60	in <sup>2</sup>
HEIGHT		
LENGTH		
WIDTH		

© 2019 CommScope, Inc.

4

3

2

1

D

D

C

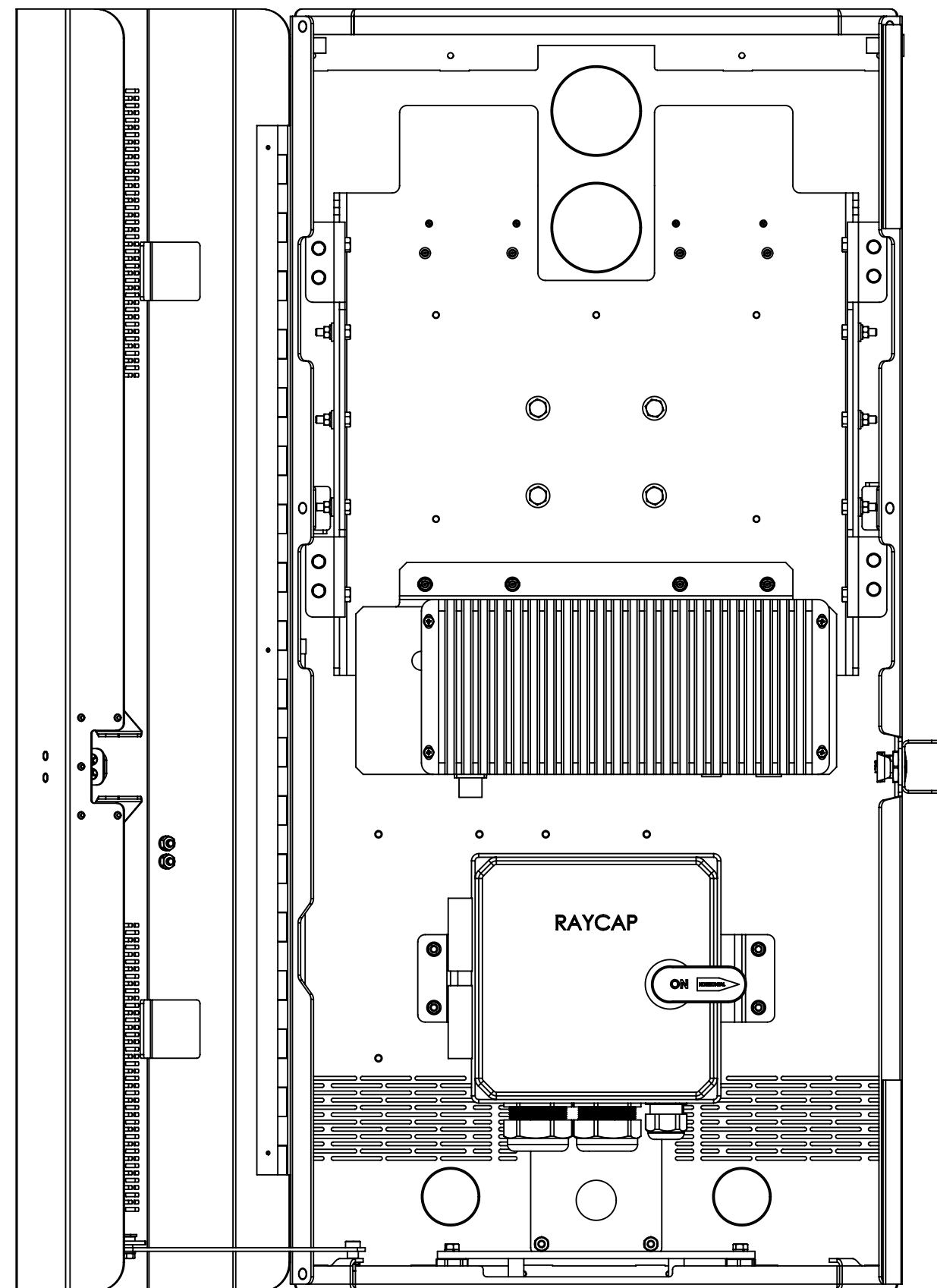
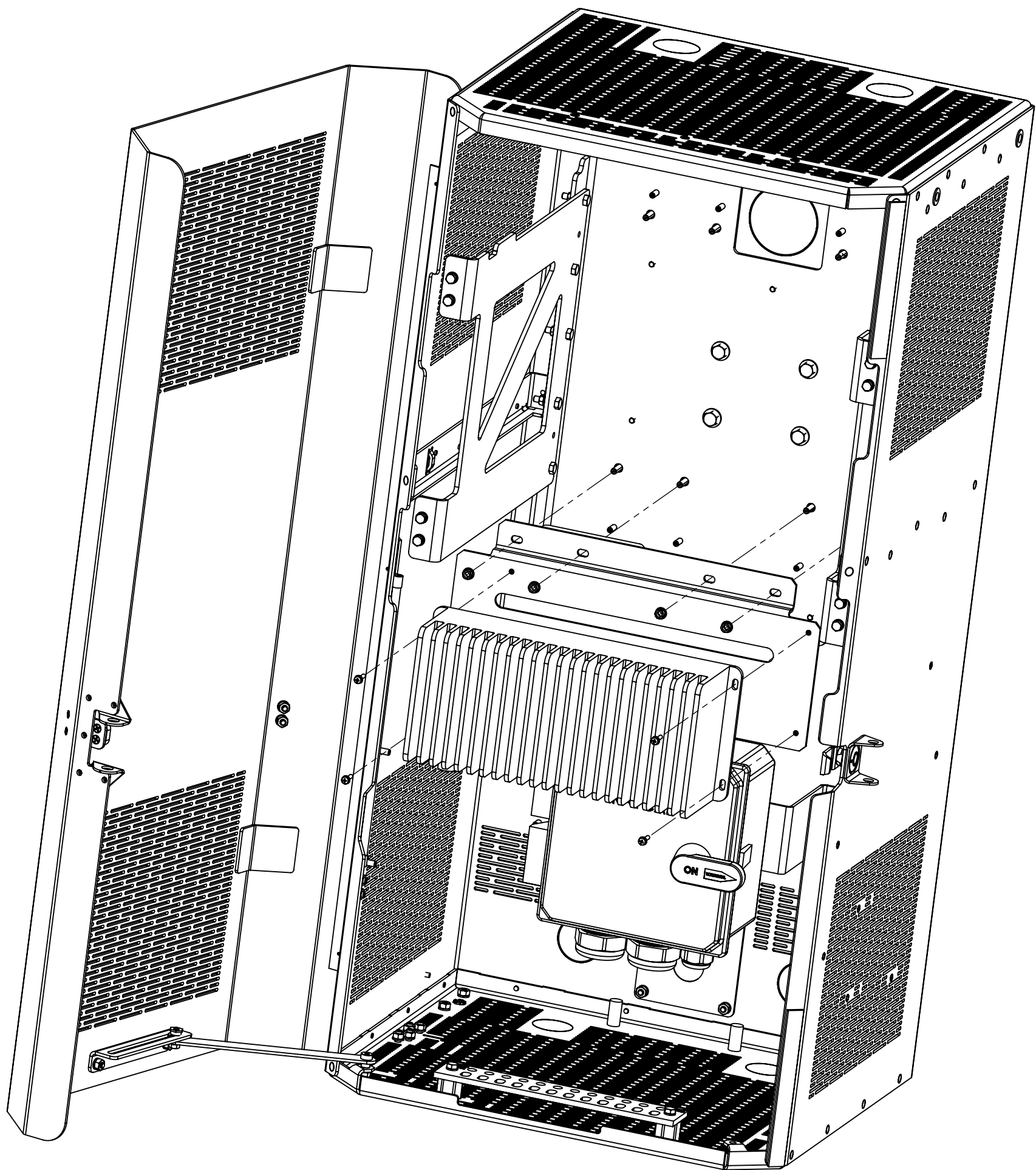
C

B

B

A

A



LOWER BACK PSU INSTALLATION

- 1) INSTALL PSU TO THE BRACKET USING 4 SETS OF M4 SCREWS, LOCK WASHERS AND FLAT WASHERS.
- 2) INSTALL PSU/BRACKET SUBASSEMBLY TO THE ENCLOSURE USING 4 SETS OF 1/4" NUTS AND LOCK WASHERS

COMMSCOPE, INC. OF NORTH CAROLINA				
TITLE CCI BRACKET KIT FOR MICRO ENCLOSURE				
SIZE <b>C</b>	SCALE <b>1:12</b>	DOCUMENT NO. 860652654-1		
		DRAWING		SHEET 2 OF 6
		VERSION 00	STATUS RE	

4

3

2

1





4

3

2

1

D

D

C

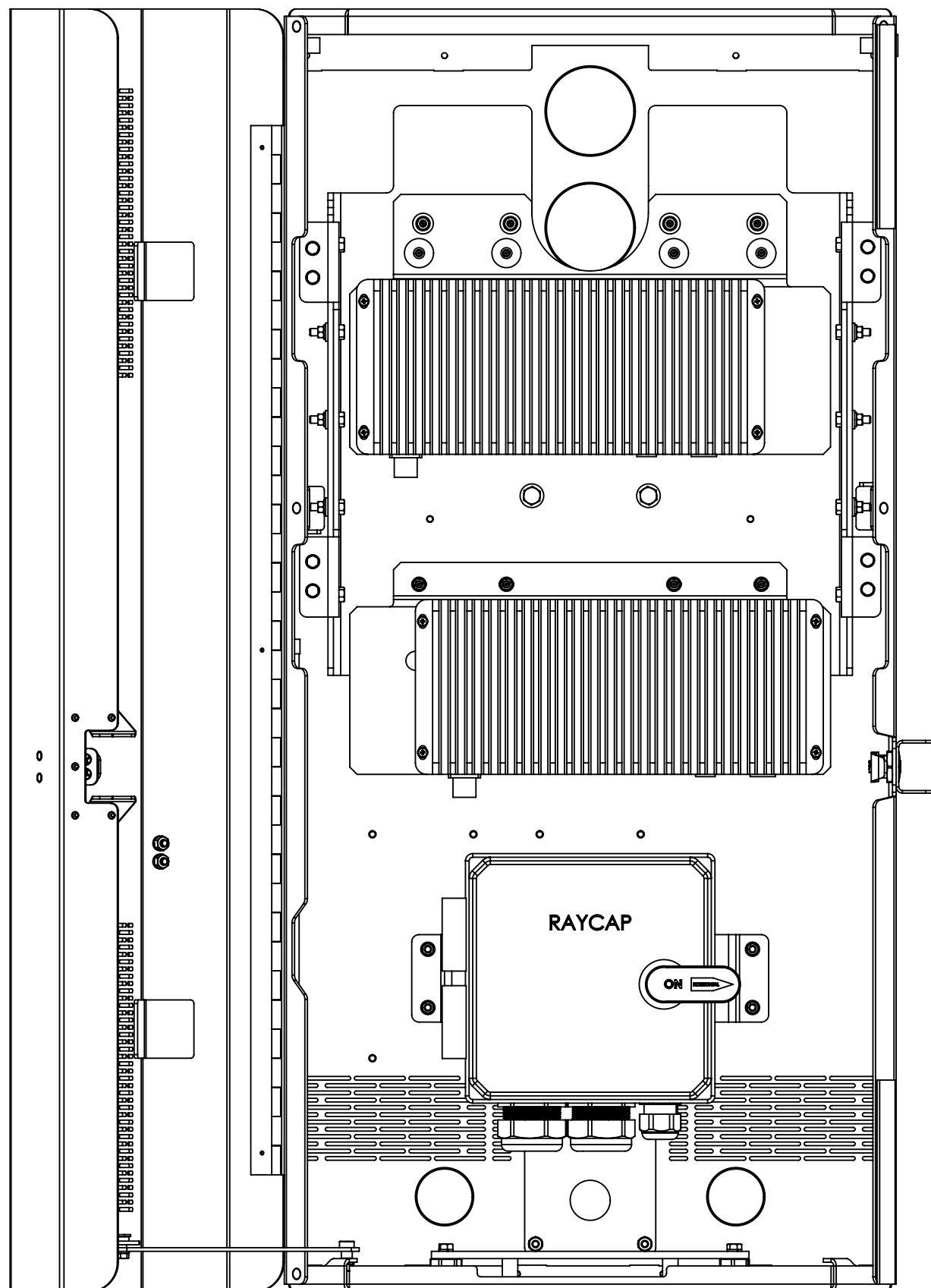
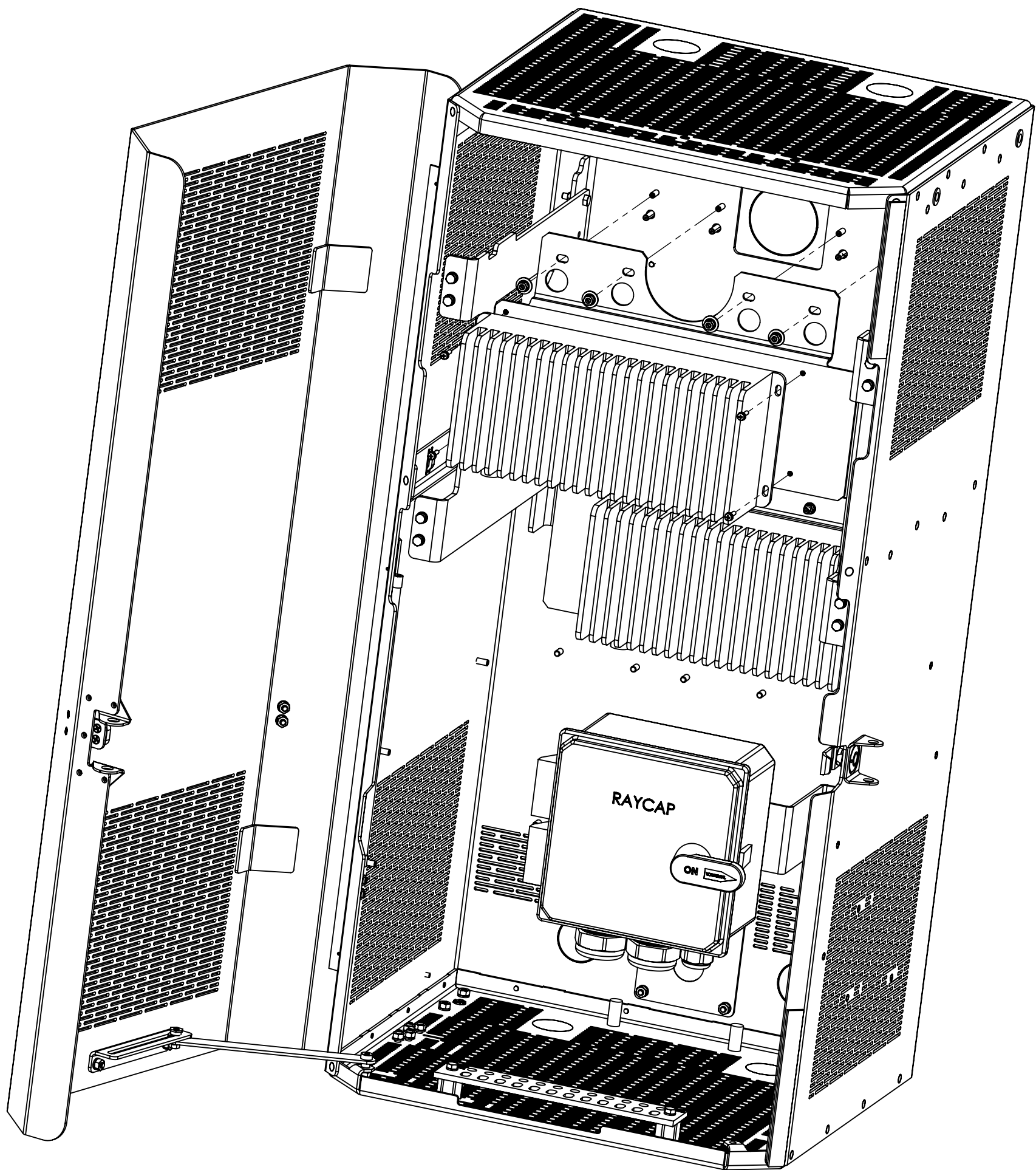
C

B

B


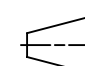
A

A



UPPER BACK PSU INSTALLATION

- 1) INSTALL PSU TO THE BRACKET USING 4 SETS OF M4 SCREWS, LOCK WASHERS AND FLAT WASHERS.
- 2) INSTALL PSU/BRACKET SUBASSEMBLY TO THE ENCLOSURE USING 4 SETS OF M6 NUTS, LOCK WASHERS AND FLAT WASHERS

COMMSCOPE, INC. OF NORTH CAROLINA				
TITLE CCI BRACKET KIT FOR MICRO ENCLOSURE				
SIZE <b>C</b>	SCALE <b>1:12</b>	DOCUMENT NO. 860652654-1		
 		DRAWING		SHEET 3 OF 6
		VERSION 00	STATUS RE	

4

3

2

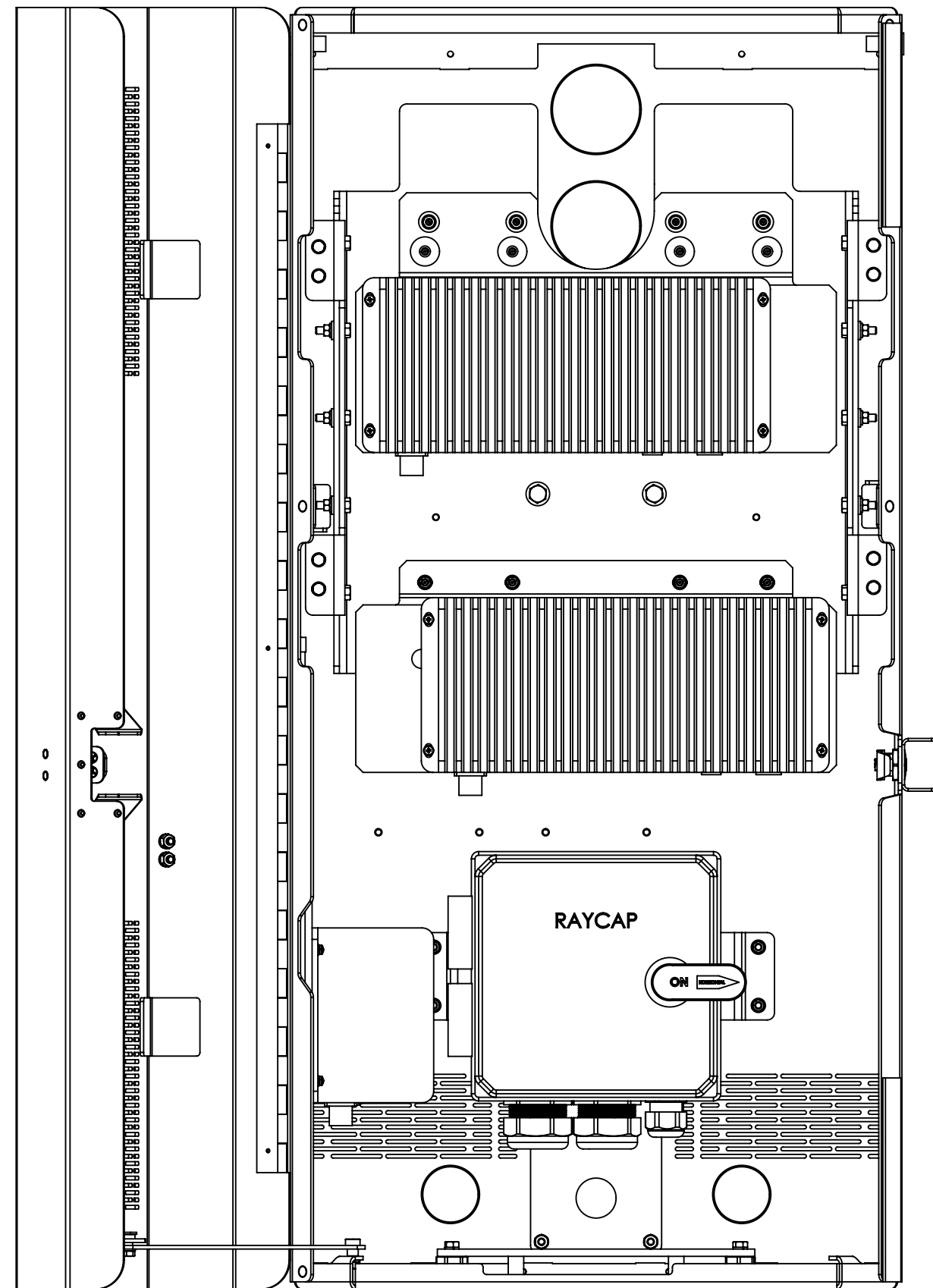
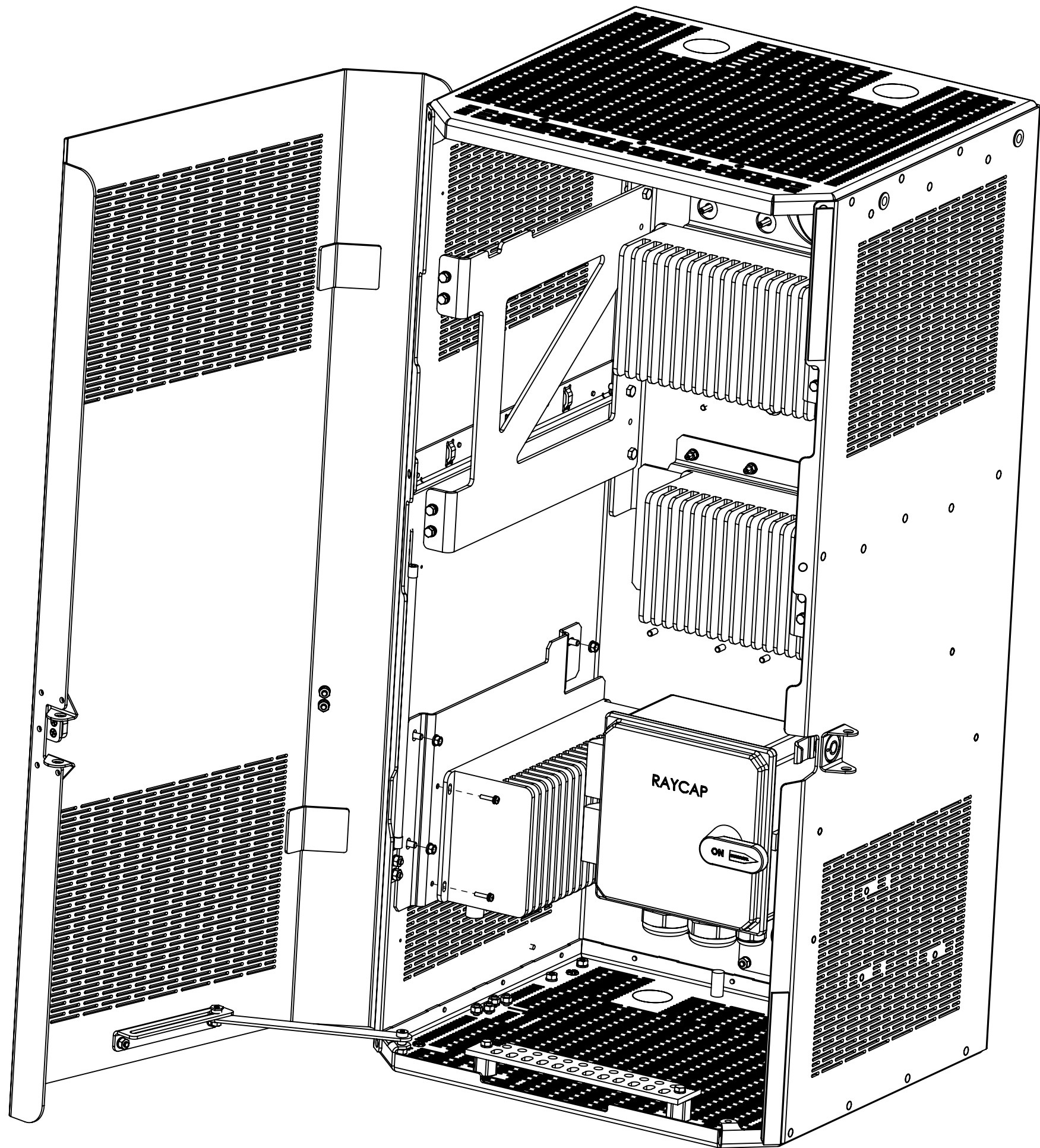
1

4

3

2


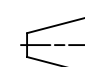
1



LEFT SIDE PSU INSTALLATION

1) INSTALL PSU TO THE BRACKET USING 4 SETS OF M4 SCREWS, LOCK WASHERS AND FLAT WASHERS.

2) INSTALL PSU/BRACKET SUBASSEMBLY TO THE ENCLOSURE USING 3 SETS OF 1/4" NUTS AND LOCK WASHERS

COMMSCOPE, INC. OF NORTH CAROLINA				
TITLE CCI BRACKET KIT FOR MICRO ENCLOSURE				
SIZE C	SCALE 1:12	DOCUMENT NO. 860652654-1		
 		DRAWING		SHEET
		VERSION 00	STATUS RE	REVISION A

4

3

2

1

D

D

C

C

B

B

A

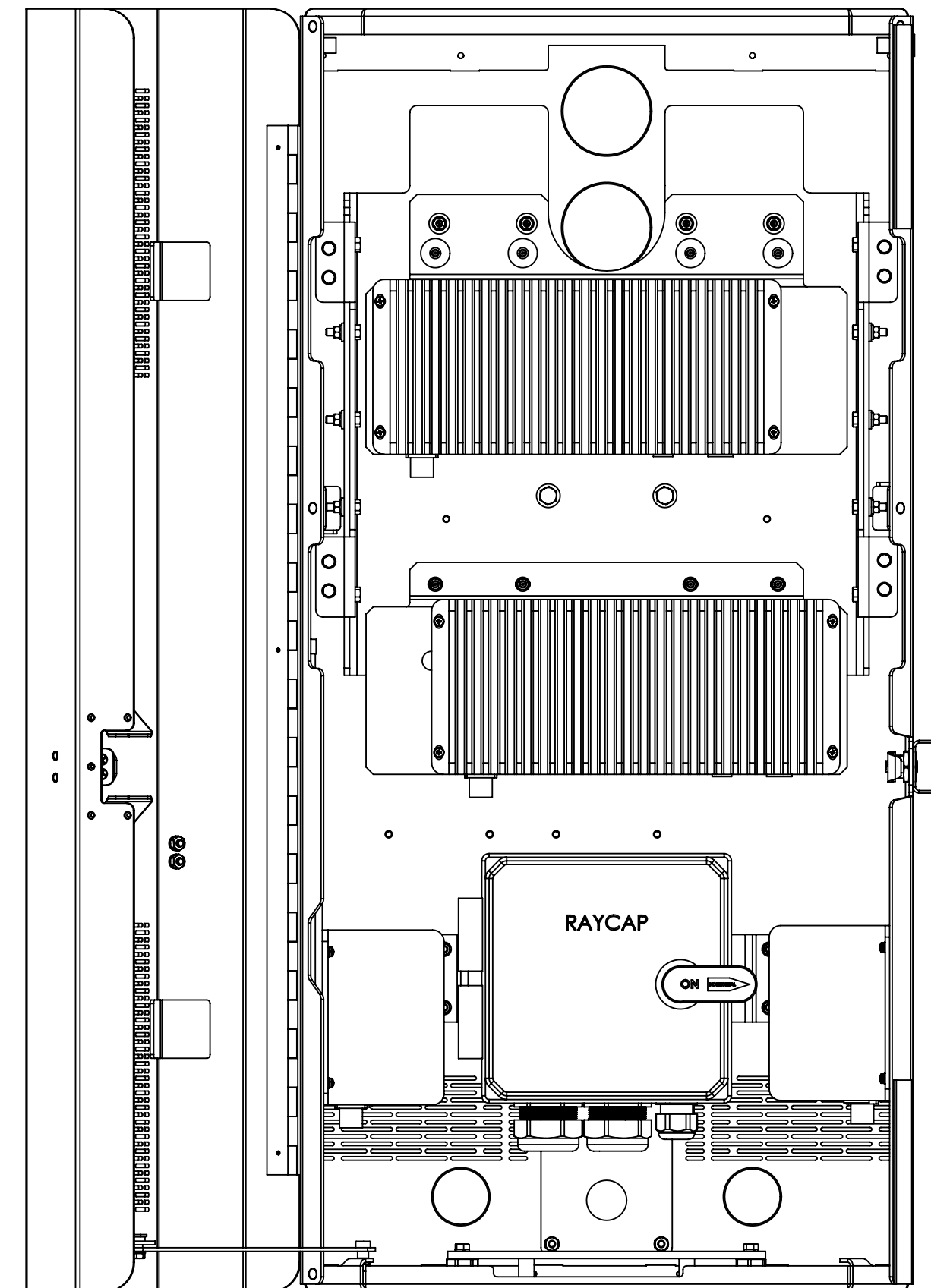
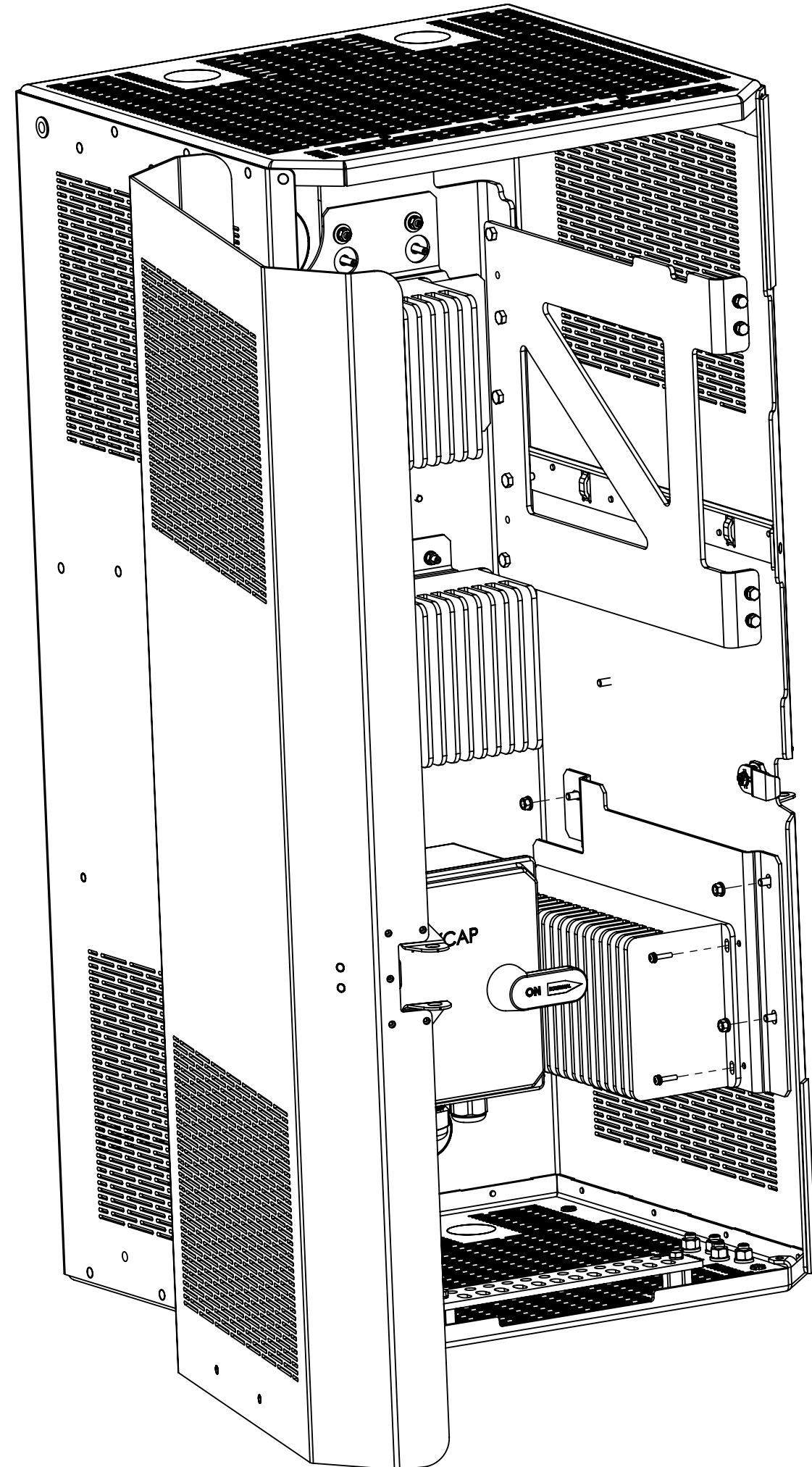
A

4

3


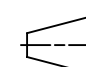
2

1



RIGHT SIDE PSU INSTALLATION

- 1) INSTALL PSU TO THE BRACKET USING 4 SETS OF M4 SCREWS, LOCK WASHERS AND FLAT WASHERS.
- 2) INSTALL PSU/BACKET SUBASSEMBLY TO THE ENCLOSURE USING 3 SETS OF 1/4" NUTS AND LOCK WASHERS

COMMSCOPE, INC. OF NORTH CAROLINA				
TITLE CCI BRACKET KIT FOR MICRO ENCLOSURE				
SIZE <b>C</b>	SCALE <b>1:12</b>	DOCUMENT NO. <b>860652654-1</b>		
 		DRAWING		SHEET 5 OF 6
		VERSION 00	STATUS RE	

4

3

2

1

D

D

C

C

B

B

A

A

4

3

2

1

D

D

C

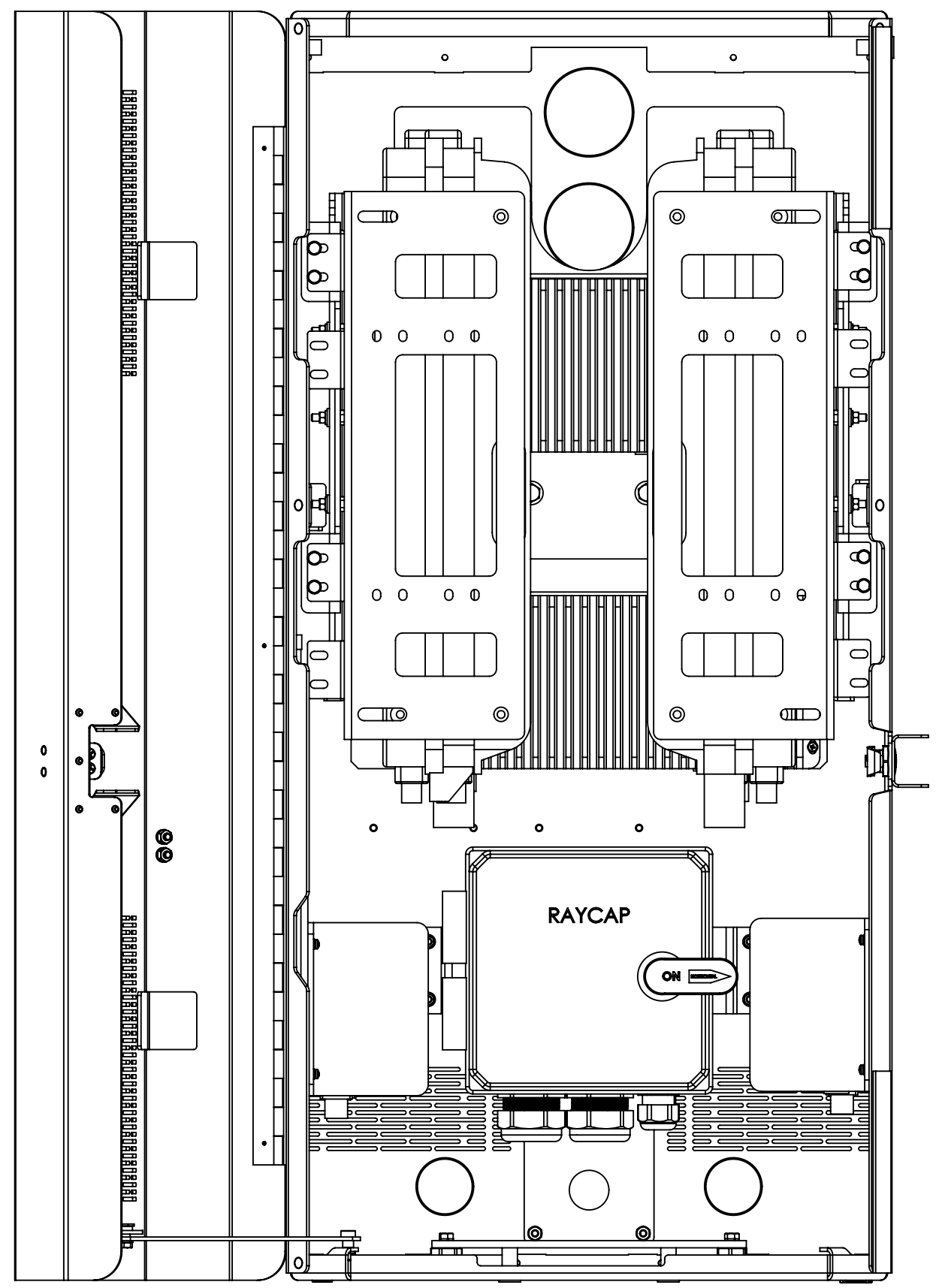
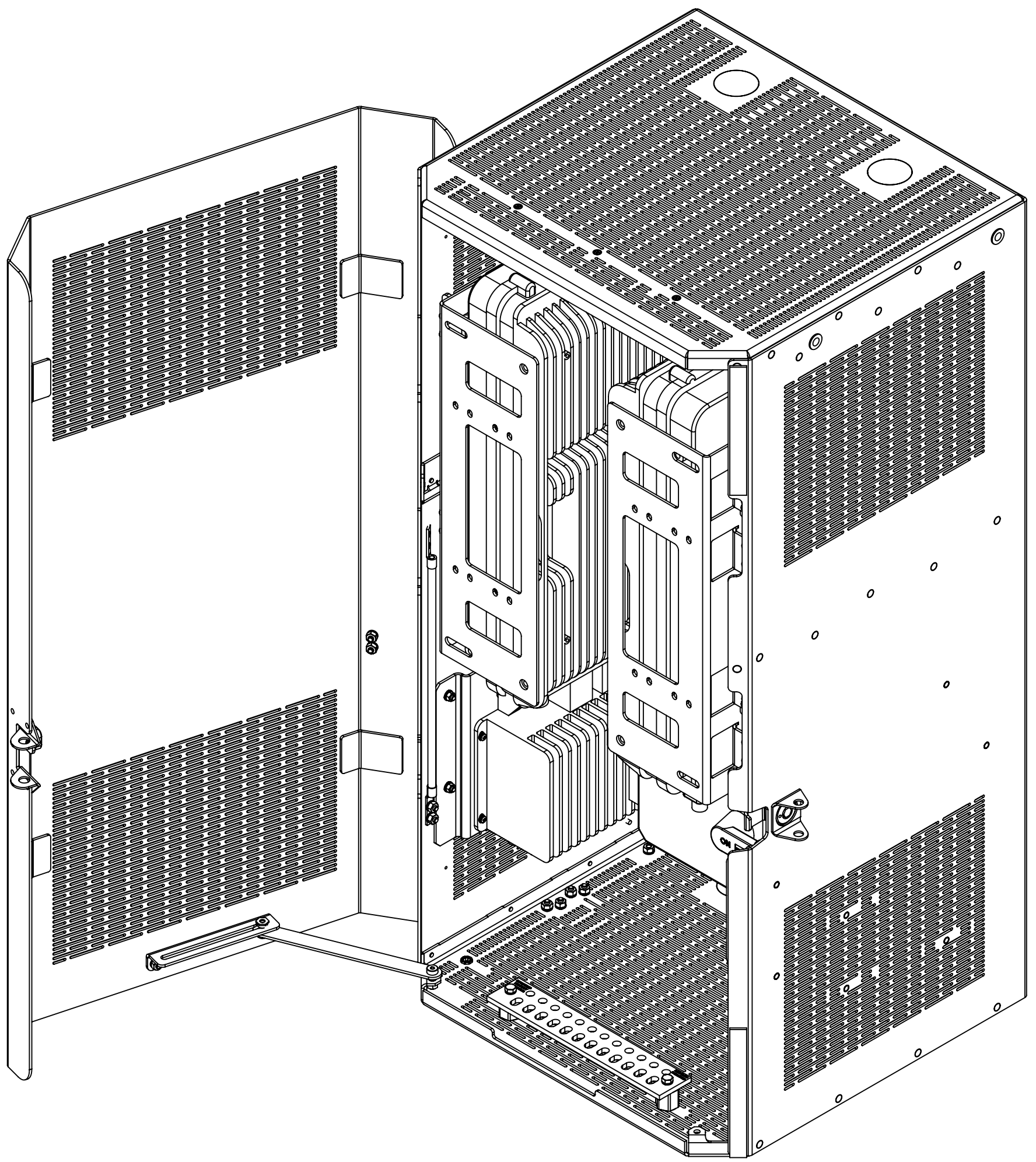
C

B


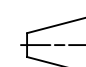
B

A

A



FINISHED ASSEMBLY WITH RADIOS

COMMSCOPE, INC. OF NORTH CAROLINA				
TITLE CCI BRACKET KIT FOR MICRO ENCLOSURE				
SIZE C	SCALE 1:12	DOCUMENT NO. 860652654-1		
DRAWING		VERSION	STATUS	REVISION
 		00	RE	A
				SHEET 6 OF 6

© 2019 CommScope, Inc.

4

3

2

1