



FOSC650 Fiber Optic Splice Closure, no tray, no gel sealing, includes standard basket, 12 grounding lugs and valve, Sealing and cover for unused ports ordered separately.

- Single-ended base with four-latches dome design and reliable cable attachment system
- There are 3 cable segments: 2 for use with the small gel seal blocks/entrance ports and 1 for use with the large gel seal blocks/entrance ports
- Fully removable base for easy cable access during installation and provisioning
- Superior gel sealing technology incorporated in interchangeable and fully wrap around gel segments
- Compatible with a wide range of fiber cable sizes and types

Product Classification

Regional Availability	Latin America North America
Product Type	Single-ended, square fiber closure
Product Brand	FOSC®

General Specifications

Cable Entry Drop Port Style	Gel block
Cable Entry Main Port Style	Gel block
Cable Ports Quantity, total	3 multi-out ports (12 cables)
Cable Sealing Type	Compressed gel
Closure Sealing Type	Over-centered latches with rubber gasket
Closure Style	Single-ended
Color	Black
Flash Test Valve	Pre-installed
Ground Feed-through	None
Mounting	Pole Strand Wall
Network Area Type	Feeder Trunk
Splice Tray Included, quantity	0
Splice Tray Type Included	No trays
Splicing Capacity, Mass Fusion, maximum	6912
Splicing Capacity, Single Fusion, maximum	3456
Splicing Capacity, Single Splice, 12 fibers, maximum	3456

760251859 | FOSC650-NNN-NT-0-S12V

Splicing Capacity, Single Splice, 6 fibers, maximum

180

Splicing Type, Supported

Mass fusion | Single fusion

Dimensions

Height

345.44 mm | 13.6 in

Width

345.44 mm | 13.6 in

Length

900.43 mm | 35.45 in

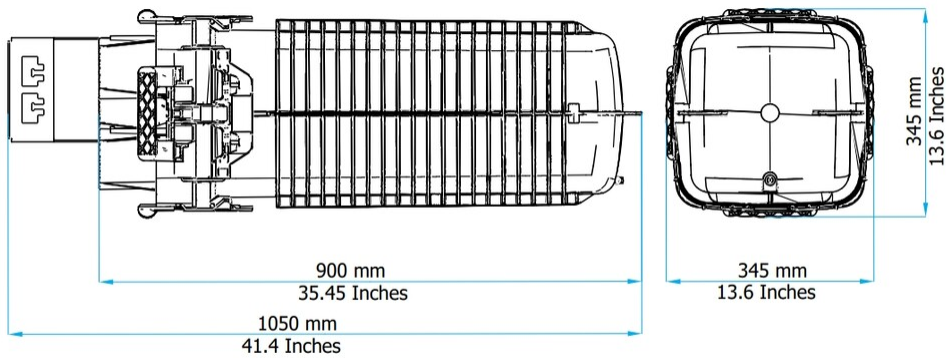
Length, with trigger

1,050.29 mm | 41.35 in

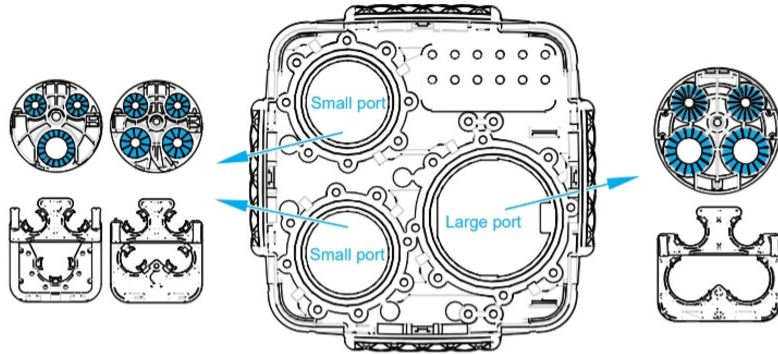
Main Cable Diameter, maximum




40.64 mm | 1.6 in

Dimension Drawing



Port Configuration



Gel Seals	Upper -Small Ports-		Lower -Large Ports-	
	# Ports	Cable Outside Diameter Min. - Max.	# Ports	Cable Outside Diameter Min. - Max.
Small 3-way 	2	8 - 20 mm 0.32 - 0.79 inch	1	25 - 35 mm 1.0 - 1.38 inches
Small 4-way 	2	8 - 22 mm 0.32 - 0.87 inch	2	10 - 28 mm 0.39 - 1.1 inches
Large 4-way 	2	18 - 25 mm 0.7 - 1.0 inch	2	25 - 40 mm 1.0 - 1.6 inches

Material Specifications

Material Type

Rugged polymer

Environmental Specifications

Environmental Space

Below ground | Buried

Qualification Standards

IEC 60529, IP68 + 5 m waterhead

Packaging and Weights

Packaging quantity

1

Packaging Type

Box | Carton

Weight, net

11.79 kg | 25.992 lb

Regulatory Compliance/Certifications

Agency

ISO 9001:2015

Classification

Designed, manufactured and/or distributed under this quality management system