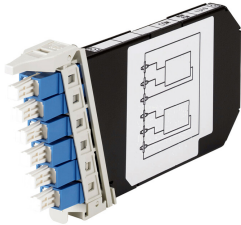


NGF-FMT-WDM-MODULES

Base Product



FMT/NGF MicroVAM Fiber Optic xWDM Modules

CommScope's Value-Added Module (VAM) system adds flexibility and functionality to the optical transport system by enabling service providers to easily incorporate optical components into the network. This versatile platform lays the foundation for the optical network of the future.

CommScope's VAM Modules feature:

- Enclosed Plug-in modules protect the optical components from physical and environmental damage
- Angled retainers maintain minimum bend radius of fiber patch cords
- Pluggable modules can be added or removed from the chassis without interfering with existing terminated patch cords
- Flexible platform: modules can be created for new applications quickly and easily to meet customer requirements
- Custom configurations are available upon request

The NGF VAM WDM system consists of a variety of optical component modules that fit into the NGF ODF VAM blocks and FMT fiber panels.

WDM applications include:

- Wavelength Division Multiplexing Increase capacity without deploying additional fiber
- CWDM Applications Increase bandwidth by transmitting multiple wavelengths simultaneously
- DWDM Applications Further increase bandwidth and capacity using closely spaced wavelengths in the ITU grid

Product Classification

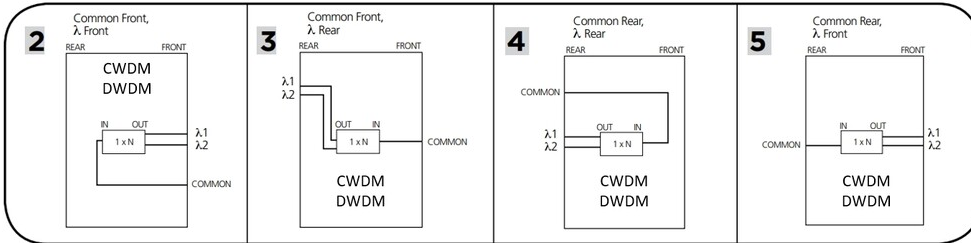
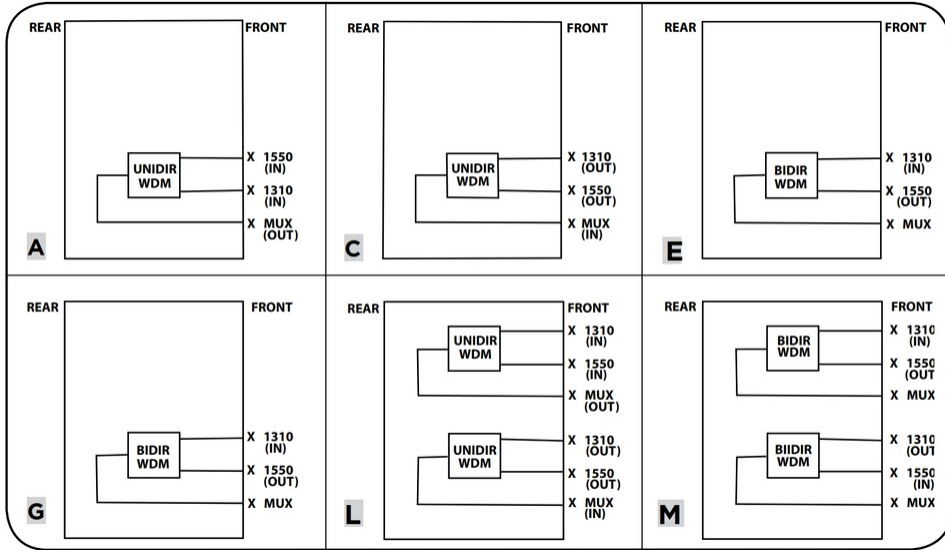
Regional Availability	Asia Australia/New Zealand EMEA Latin America North America
Portfolio	CommScope®
Product Type	CWDM module DWDM module WDM module
Product Series	NGF

General Specifications

Device Type	Micro VAM
Functionality	Demultiplexing Multiplexing
Application	For use with FMT panels For use with NGF frames
Interface, Input	LC/APC LC/UPC SC/APC SC/UPC
Interface, Output	LC/APC LC/UPC SC/APC SC/UPC

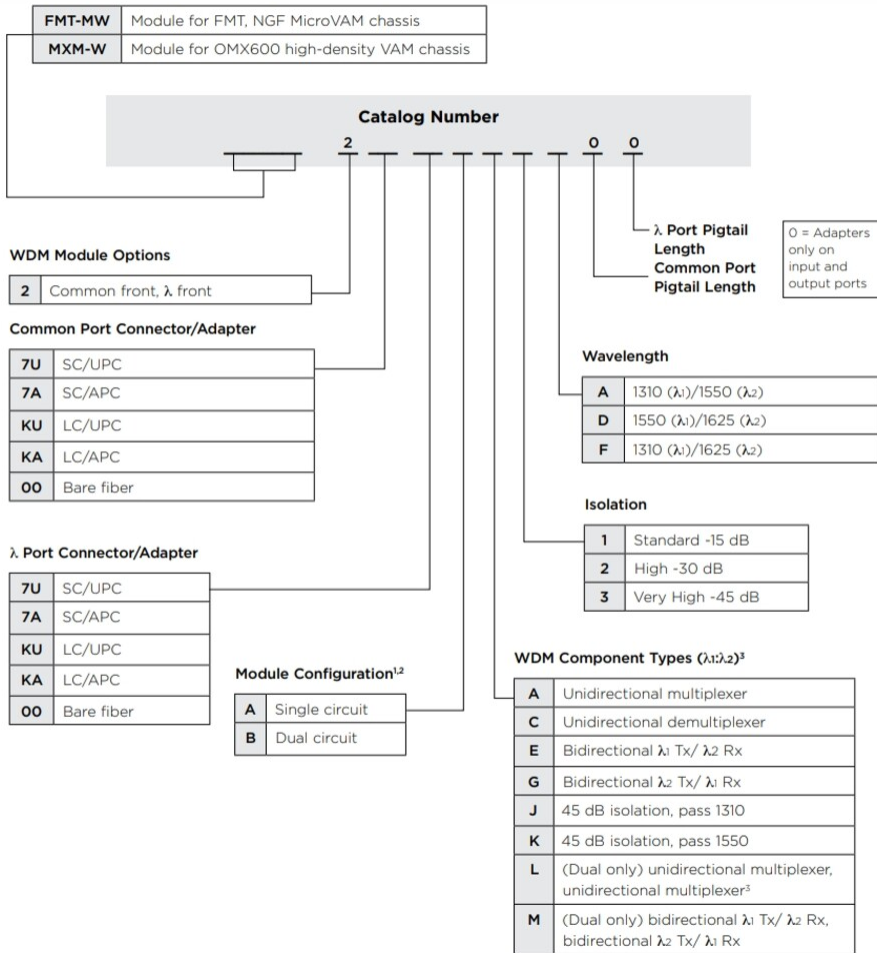
NGF-FMT-WDM-MODULES

Port Configuration

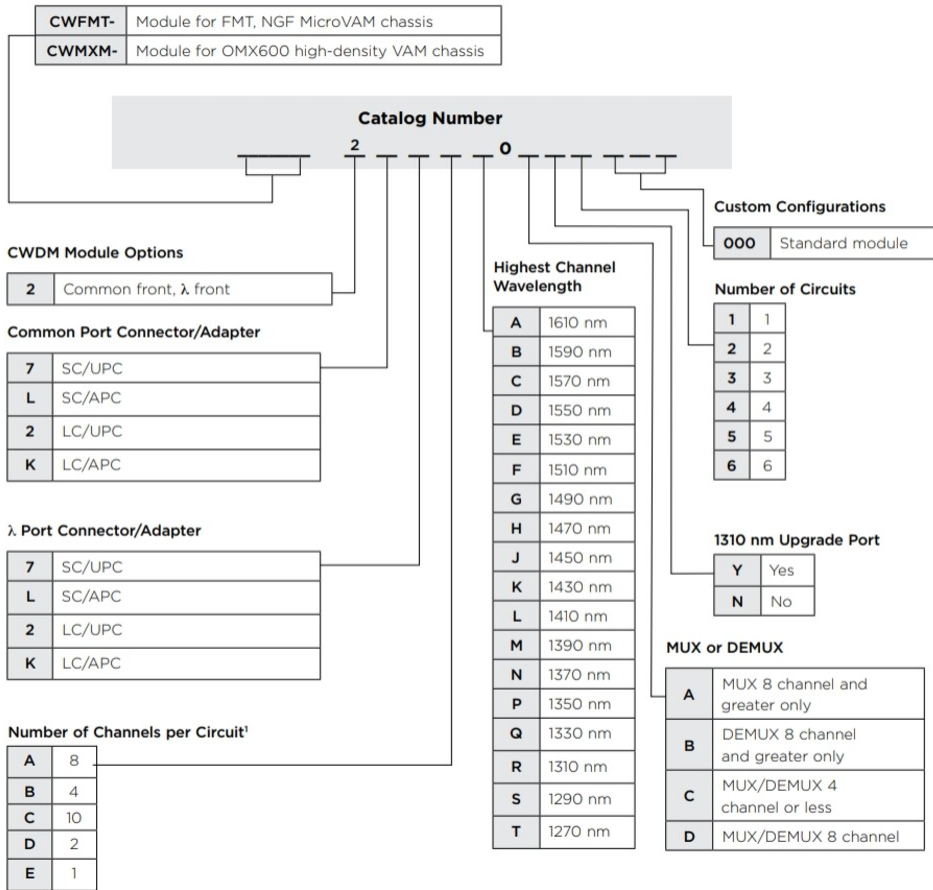


Ordering Tree

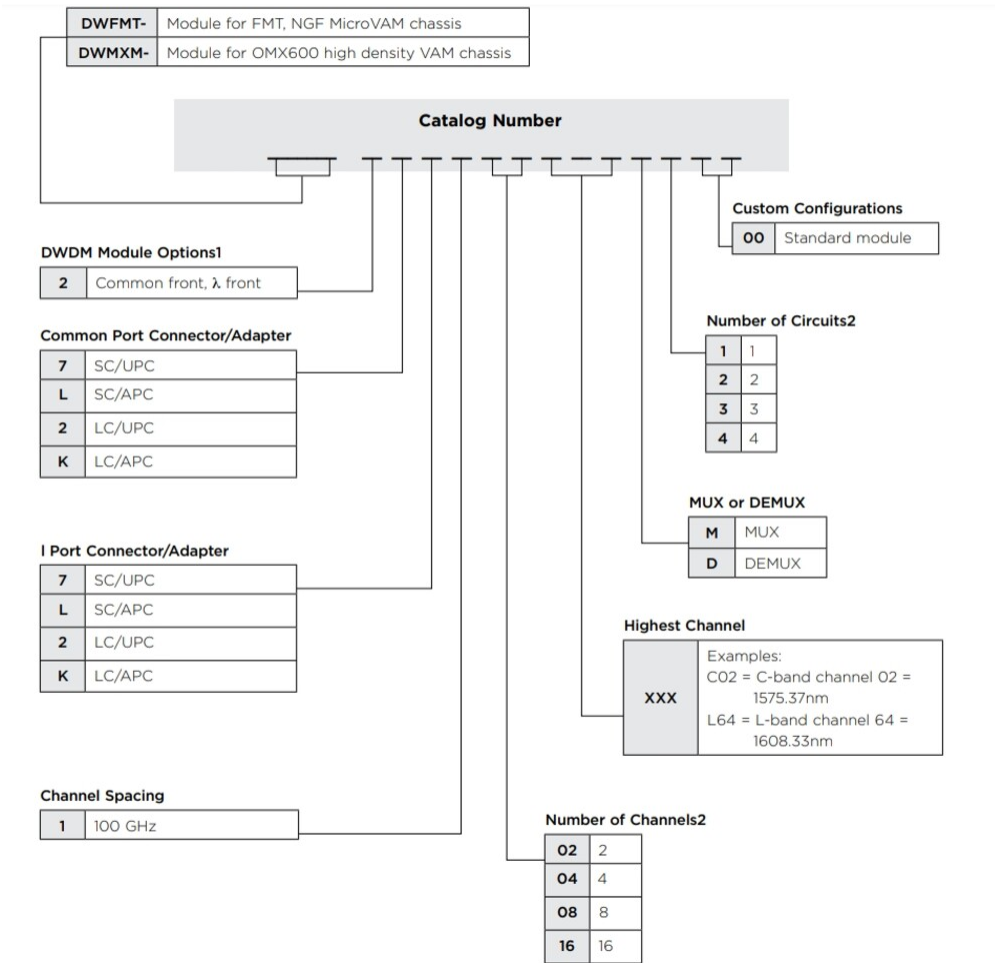
NGF-FMT-WDM-MODULES



NGF-FMT-WDM-MODULES



NGF-FMT-WDM-MODULES



Environmental Specifications

Environmental Space Indoor

Packaging and Weights

Packaging quantity 1