

# FD4S-A072J00JAB1



FDH 4000, 72 distribution fibers, no splitters loaded, SC/APC, dielectric, loose tube, 100 ft stub

- Thermoplastic construction provides UV stabilization, flame retardancy, and chemical & impact resistance
- Provides air/water tight seal ensuring protection from flooding and fungus
- Unsurpassed reliability makes it ideal for aerial and below grade applications
- Supports diverse Plug-and-Play splitter and xWDM module Configurations

## Product Classification

<b>Regional Availability</b>	Asia   Australia/New Zealand   EMEA   Latin America   North America
<b>Product Type</b>	Fiber distribution closure
<b>Product Series</b>	FDH 4000

## General Specifications

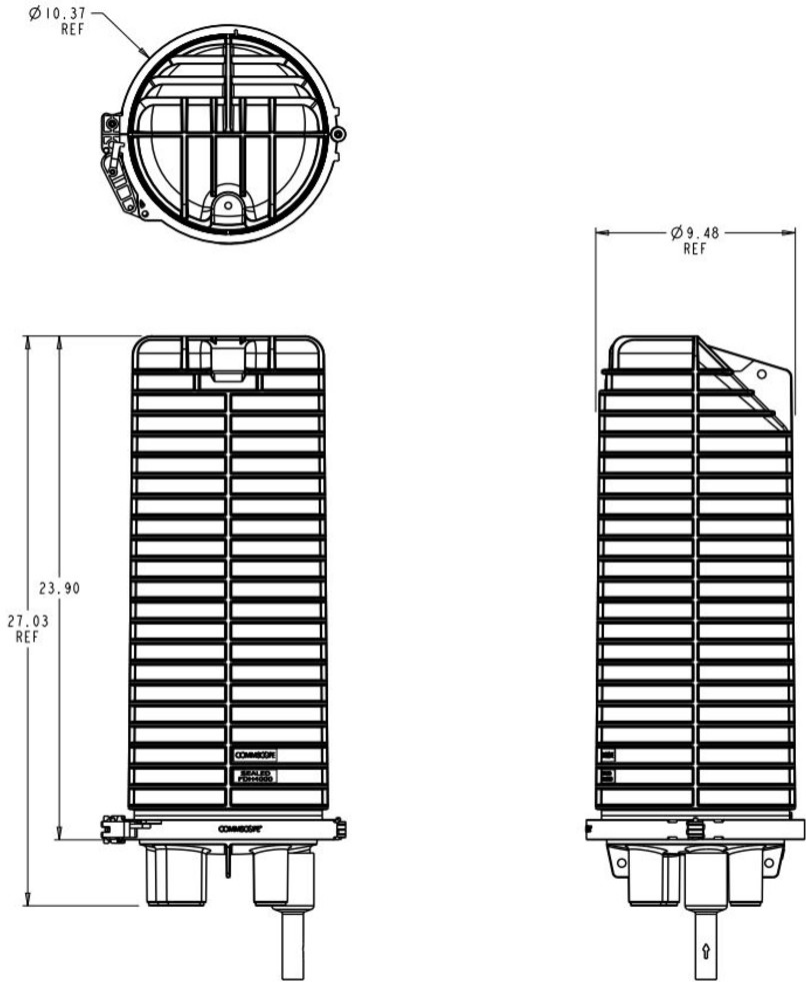
<b>Access</b>	Front
<b>Cable Type</b>	Dielectric - Stranded
<b>Color</b>	Black
<b>Distribution Cables, quantity</b>	1
<b>Fibers per Distribution Cable, quantity</b>	72
<b>Fibers per Feeder Cable, quantity</b>	12
<b>Interface, Input</b>	SC
<b>Interface Feature, Input</b>	APC
<b>Mounting</b>	Handhole   Pole   Wall
<b>Splitter Slots, quantity</b>	11

## Dimensions

<b>Height</b>	685.8 mm   27 in
<b>Width</b>	241.3 mm   9.5 in
<b>Cable Length</b>	30.48 m   100 ft
<b>Enclosure Size</b>	Small

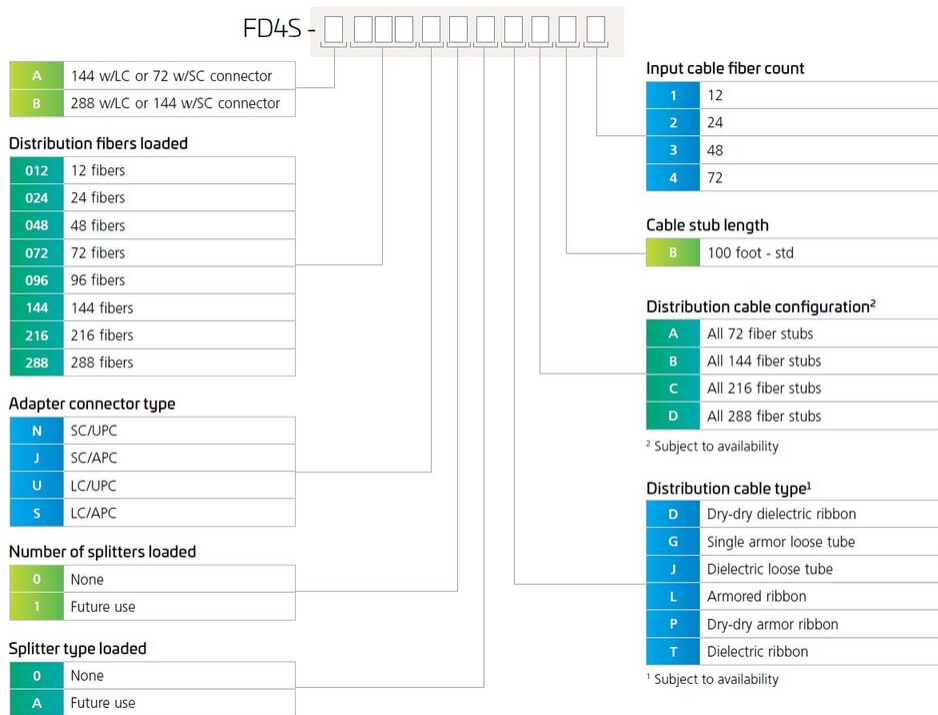
## Dimension Drawing

# FD4S-A072J00JAB1



## Ordering Tree

# FD4S-A072J00JAB1



## Environmental Specifications

### Environmental Space

Above ground | Aerial | Below ground

### Qualification Standards

IEC 60529, IP68 | Telcordia GR-3121-CORE | Telcordia GR-3125-CORE

## Packaging and Weights

### Packaging quantity

1

### Packaging Type

Pallet

### Weight, net

15.876 kg | 35 lb

## Regulatory Compliance/Certifications

### Agency

### Classification

CHINA-ROHS

Above maximum concentration value

REACH-SVHC

Compliant as per SVHC revision on [www.commscope.com/ProductCompliance](http://www.commscope.com/ProductCompliance)

ROHS

Compliant/Exempted

UK-ROHS

Compliant/Exempted

