

# 243951



## Mounting/Grounding Bracket

### Product Classification

<b>Product Type</b>	Surge arrestor accessory
<b>Ordering Note</b>	CommScope® non-standard product

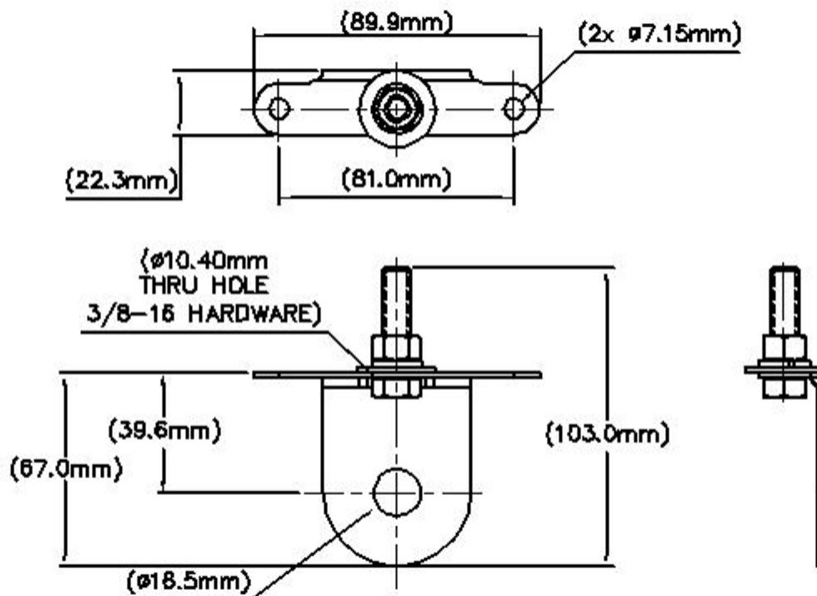
### General Specifications

<b>Interface</b>	N Female Bulkhead
------------------	-------------------

### Dimensions

<b>Height</b>	67 mm   2.638 in
<b>Width</b>	22.3 mm   0.878 in
<b>Length</b>	89.9 mm   3.539 in

### Outline Drawing



# 243951

---

## Packaging and Weights

**Packaging quantity** 1  
**Weight, net** 110 g | 0.243 lb

## Regulatory Compliance/Certifications

<b>Agency</b>	<b>Classification</b>
CHINA-ROHS	Below maximum concentration value
ISO 9001:2015	Designed, manufactured and/or distributed under this quality management system
REACH-SVHC	Compliant as per SVHC revision on <a href="http://www.commscope.com/ProductCompliance">www.commscope.com/ProductCompliance</a>
ROHS	Compliant
UK-ROHS	Compliant

