

C61L01P42



Power Cable Assembly, TMA, dual SMA male to receive multicoupler, 8 m

Product Classification

Product Type Power cable assembly

General Specifications

Application Receive multicoupler

Conductor Type RG178

Conductors, quantity 2

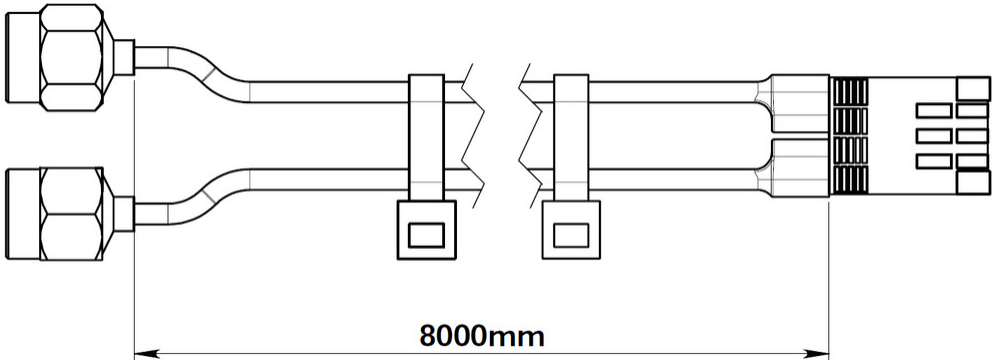
Connector Interface 4-pin single row header Female | SMA Male

Dimensions

Length 8000 mm | 314.961 in

C61L01P42

Outline Drawing



Material Specifications

Material Type FEP