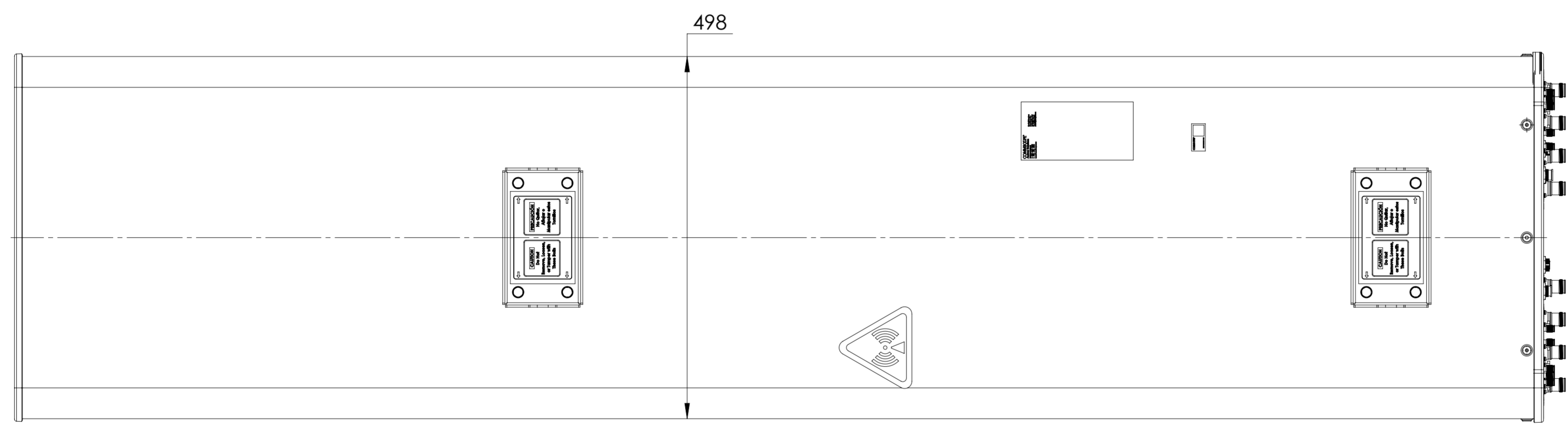
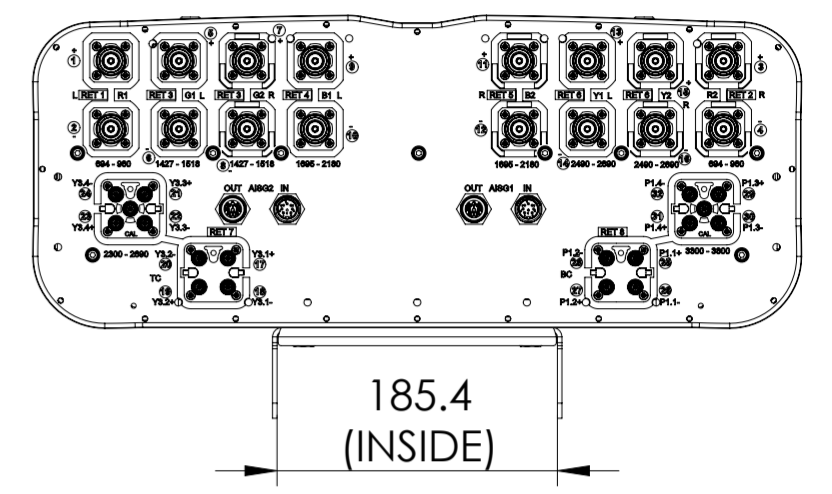
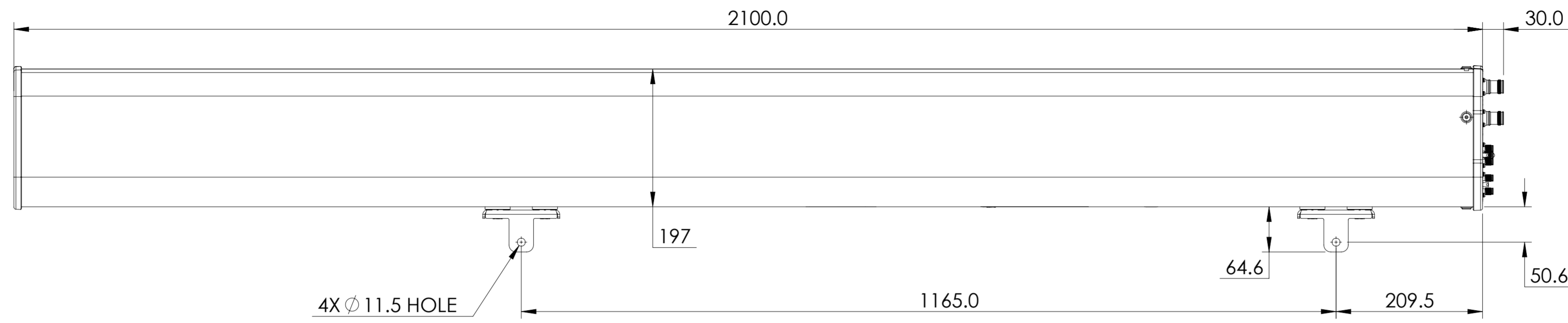


REVISIONS			
REV.	DESCRIPTION	DATE	APPROVED
A	ECR 8000037037: REL TO PRODUCTION PER EAO 607240.	27NOV19 SS	MP/SV



RRYYHHTTT4S4-65BR8

COMMScope, INC. OF NORTH CAROLINA

TOLERANCES		SAP MATERIAL MASTER				
0 PLACE X ±	2 PLACE .XX ±					
1 PLACE .X ±	ANGLES ±					
FINISH		MATERIAL				
N/A						
UNLESS OTHERWISE SPECIFIED DIMENSIONS ARE IN MILLIMETERS INTERPRET PER ISO STANDARDS HANDBOOK 1 TECHNICAL DRAWINGS VOLUMES 1 & 2, THIRD EDITION (2002)	NAME	DATE	TITLE			
	CE SS1232	27NOV 19	PRODUCT DRAWING			
	RW SS1232	12/02/2019				
	RV MP1112	12/02/2019				
	AD SV1063	12/02/2019				
RE AC1095	12/03/2019					
ECN 8000037037-O			SCALE			
			1:5			
			DOCUMENT NO.			
			RRYYHHTTT4S4-65BR8-L			
SIZE	WORK AREA	23	MODEL			
A2		DRAWING				
		VERSION	STATUS	REVISION	VERSION	STATUS
00	RE	A	00	RE	A	SHEET
						1 OF 1

DENSITY	g/mm ³
MASS	Kg
VOLUME	mm ³
SURFACE AREA	mm ²
HEIGHT	
LENGTH	
WIDTH	

© 2019 CommScope, Inc.