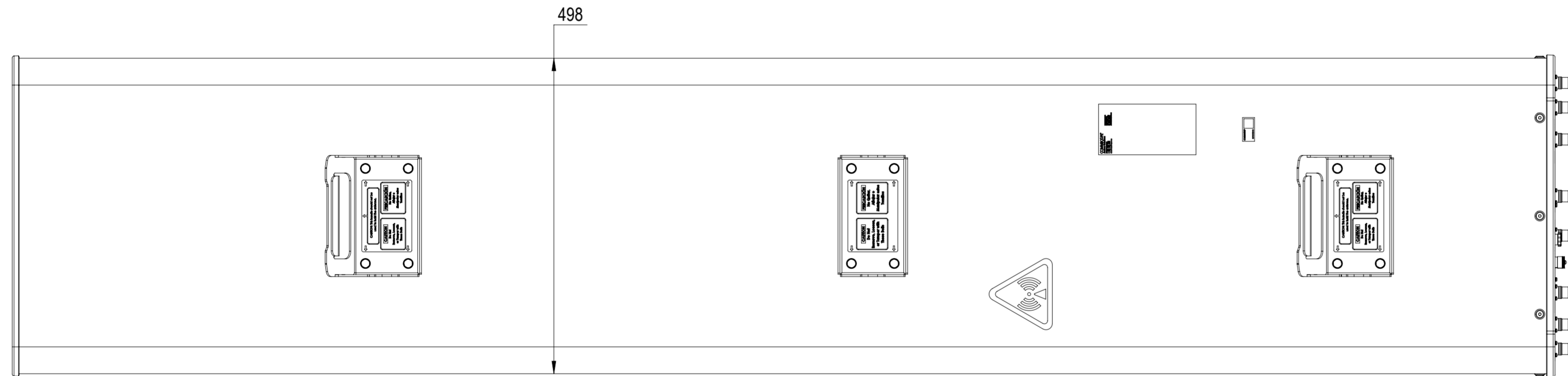
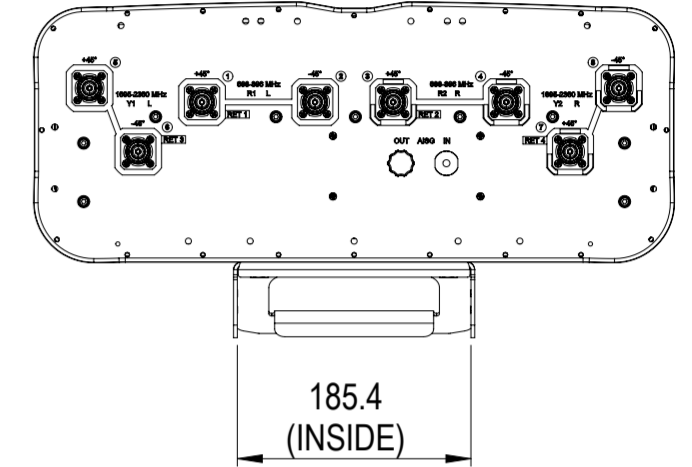
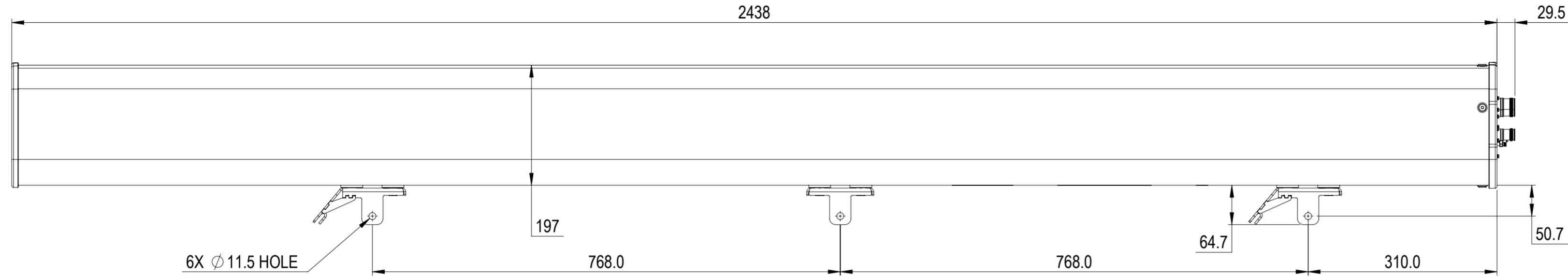


NOTES:

REVISIONS			
REV.	DESCRIPTION	DATE	APPROVED
A	ECR 8000017988: REL TO PRODUCTION PER EAO 603965.	17OCT17 NK	HW / LCL
B	ECR 8000036540: UPDATE DRAWING WITH LATEST MODEL.	25JUL19 LS	ZHWJ/REX
C	ECR 8000039431: UPDATE DRAWING WITH LATEST MODEL.	26FEB20 PL	YF/RLX



NNHH-65C-R4

COMMSCOPE, INC. OF NORTH CAROLINA

TOLERANCES		SAP MATERIAL MASTER	
0 PLACE X ±	2 PLACE .XX ±		
1 PLACE .X ±	ANGLES ±		
FINISH		MATERIAL	
<small>UNLESS OTHERWISE SPECIFIED DIMENSIONS ARE IN MILLIMETERS INTERPRET PER ISO STANDARDS HANDBOOK TECHNICAL DRAWINGS VOLUMES 1 & 2, THIRD EDITION (2002)</small>		NAME	DATE
		CE NK	17OCT17
		RW PL1051	02/28/2020
		RV HDTANG	02/28/2020
		AD LR1057	02/28/2020
RE BYUAN	02/28/2020	TITLE	
ECN 8000039431-O		PRODUCT DRAWING	
SCALE 1:5		DOCUMENT NO. NNHH-65C-R4-L	
SIZE	WORK AREA 23	MODEL	
A2		VERSION 05	STATUS RE
		REVISION E	DRAWING
HEIGHT	LENGTH	WIDTH	SHEET 1 OF 1

DENSITY	g/mm ³
MASS	grams
VOLUME	mm ³
SURFACE AREA	mm ²