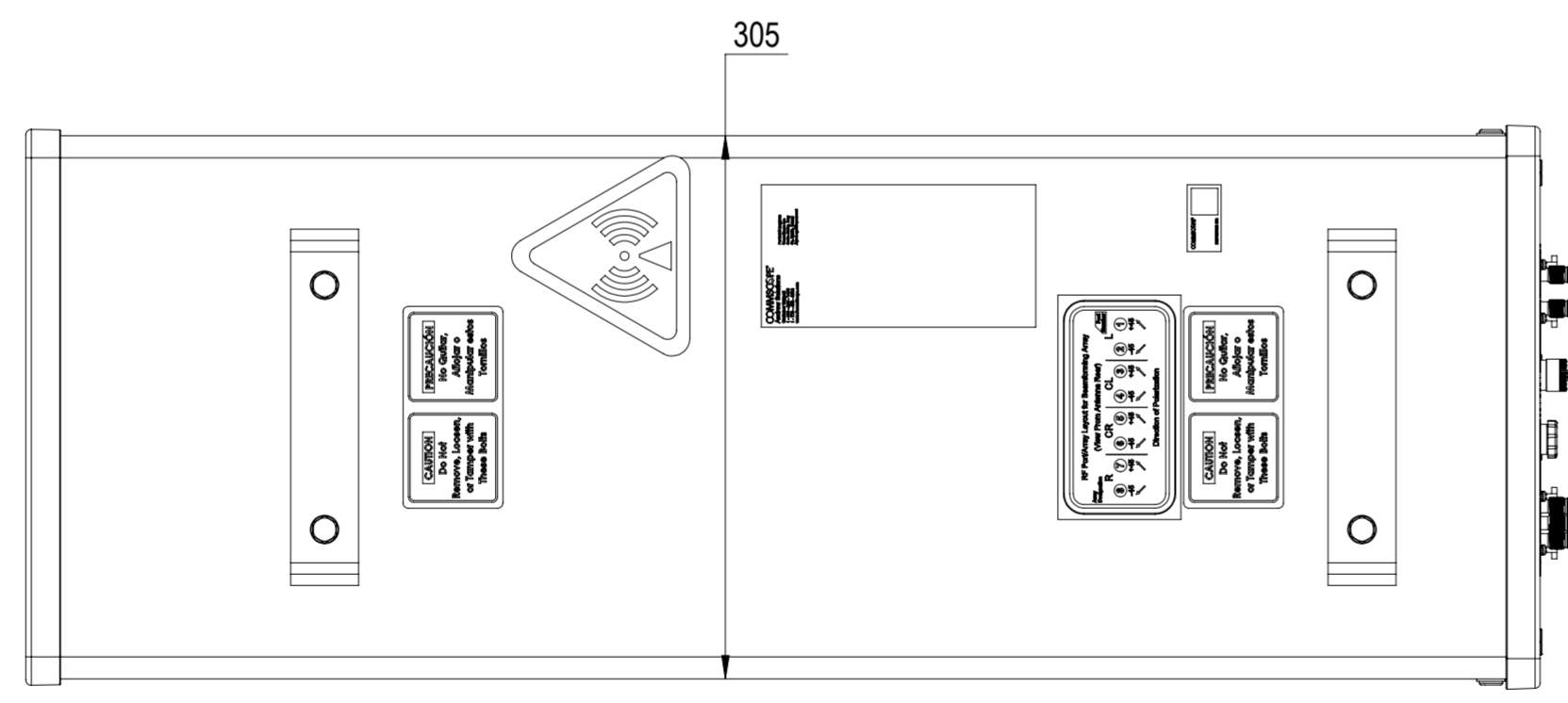
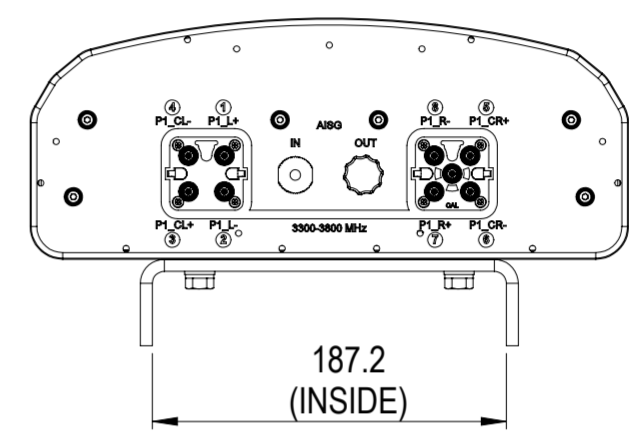
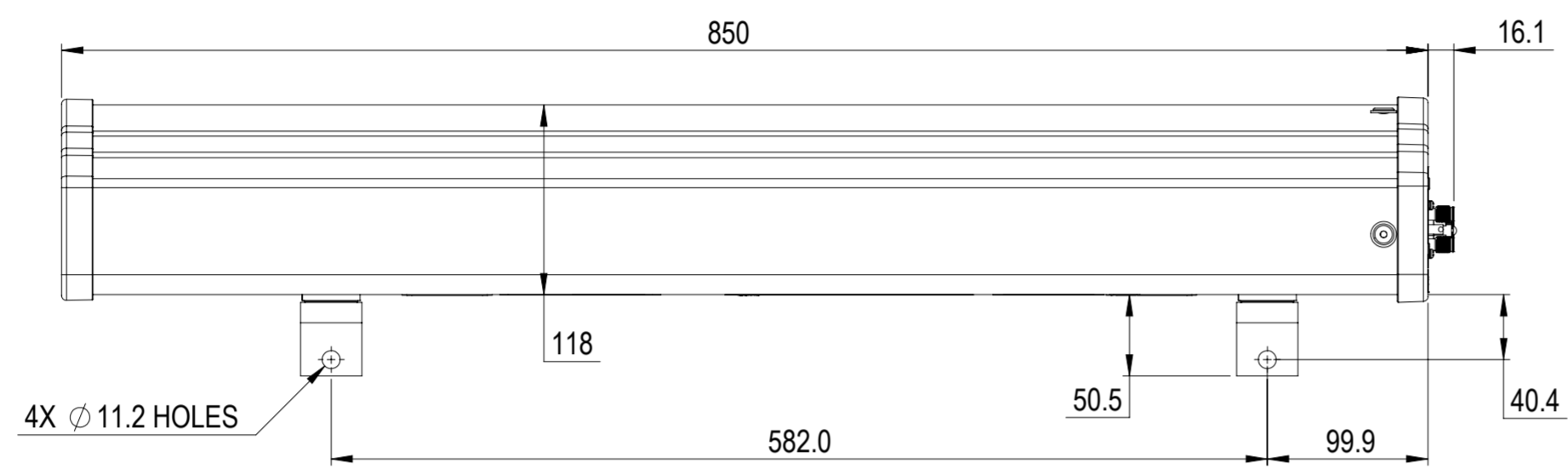


REVISIONS			
REV.	DESCRIPTION	DATE	APPROVED
A	ECR 8000036160: REL TO PRODUCTION PER EAO 607014.	24DEC19 DXJ	ZSG/DHH
B	ECR 8000039531: UPGRADE THE DRAWING.	26FEB20 DXJ	ZSG/DHH



S4-90M-R1-V3

COMMSCOPE, INC. OF NORTH CAROLINA												
TOLERANCES						SAP MATERIAL MASTER						
0 PLACE X ±			2 PLACE .XX ±			1 PLACE .X ±			ANGLES ±			
FINISH						MATERIAL						
<small>UNLESS OTHERWISE SPECIFIED DIMENSIONS ARE IN MILLIMETERS INTERPRET PER ISO STANDARDS HANDBOOK TECHNICAL DRAWINGS VOLUMES 1 & 2, THIRD EDITION (2002)</small>	NAME		DATE		TITLE							
	CE	XD1008	12/04/2019		PRODUCT DRAWING							
	RW	XD1008	12/23/2019									
	RV	SZ1050	12/24/2019									
	AD	HD1021	12/24/2019									
	RE	QS1002	12/24/2019									
ECN 8000039531-O												
SCALE		DOCUMENT NO.										
1:4		S4-90M-R1-V3-L										
SIZE		WORK AREA		23		MODEL			DRAWING			SHEET 1 OF 1
A2		[Symbol]		[Symbol]		VERSION	STATUS	REVISION	VERSION	STATUS	REVISION	
						02	RE	B	01	RE	B	

DENSITY	g/mm ³
MASS	grams
VOLUME	mm ³
SURFACE AREA	mm ²
HEIGHT	
LENGTH	
WIDTH	