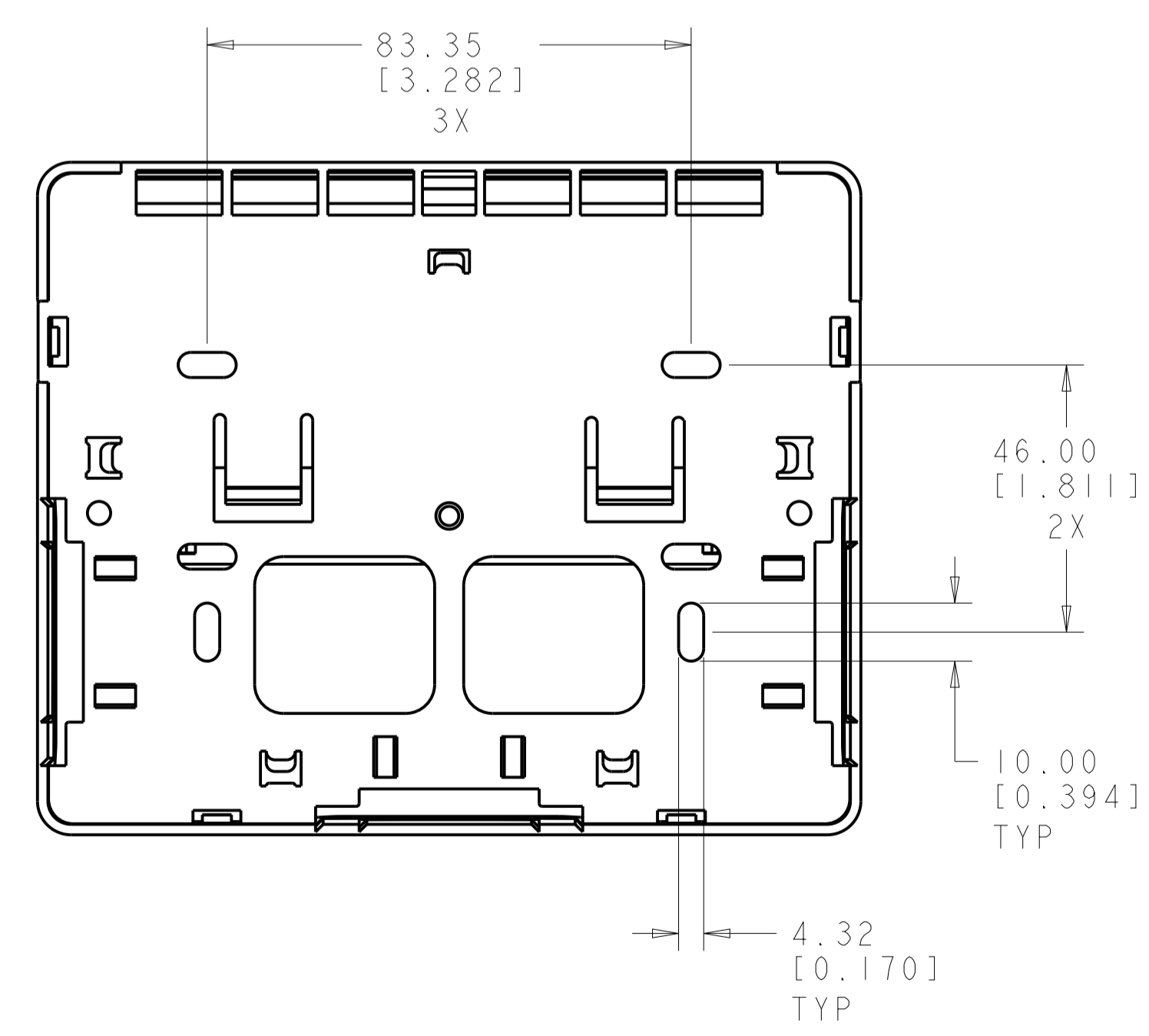
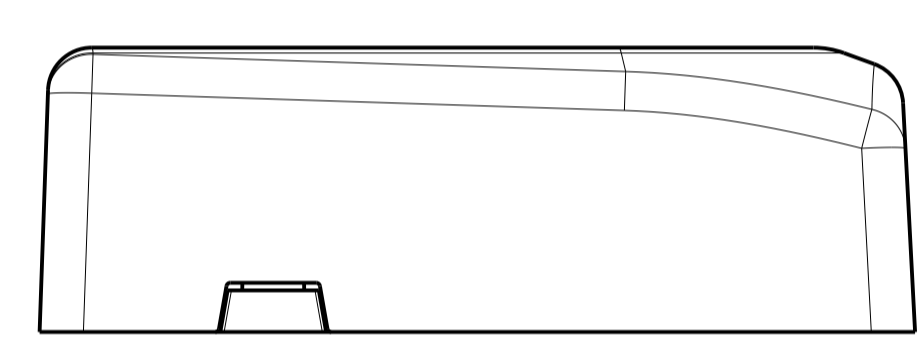
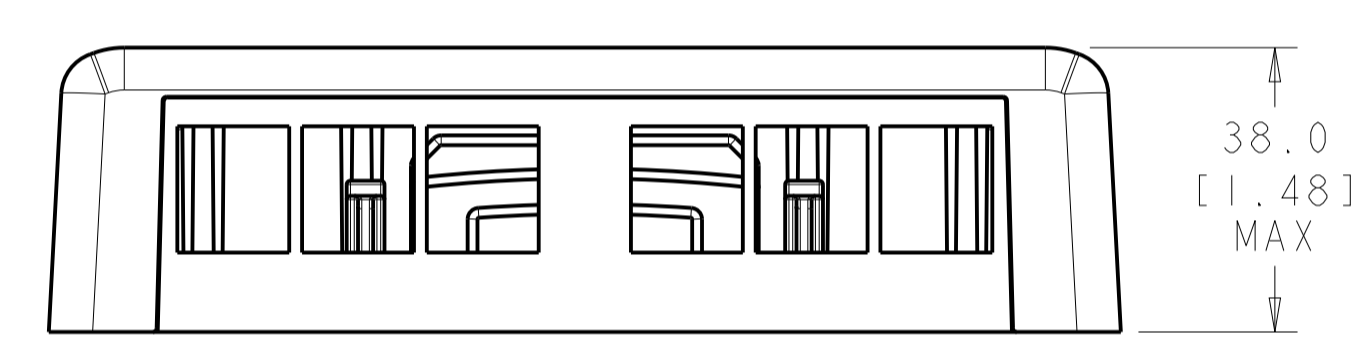
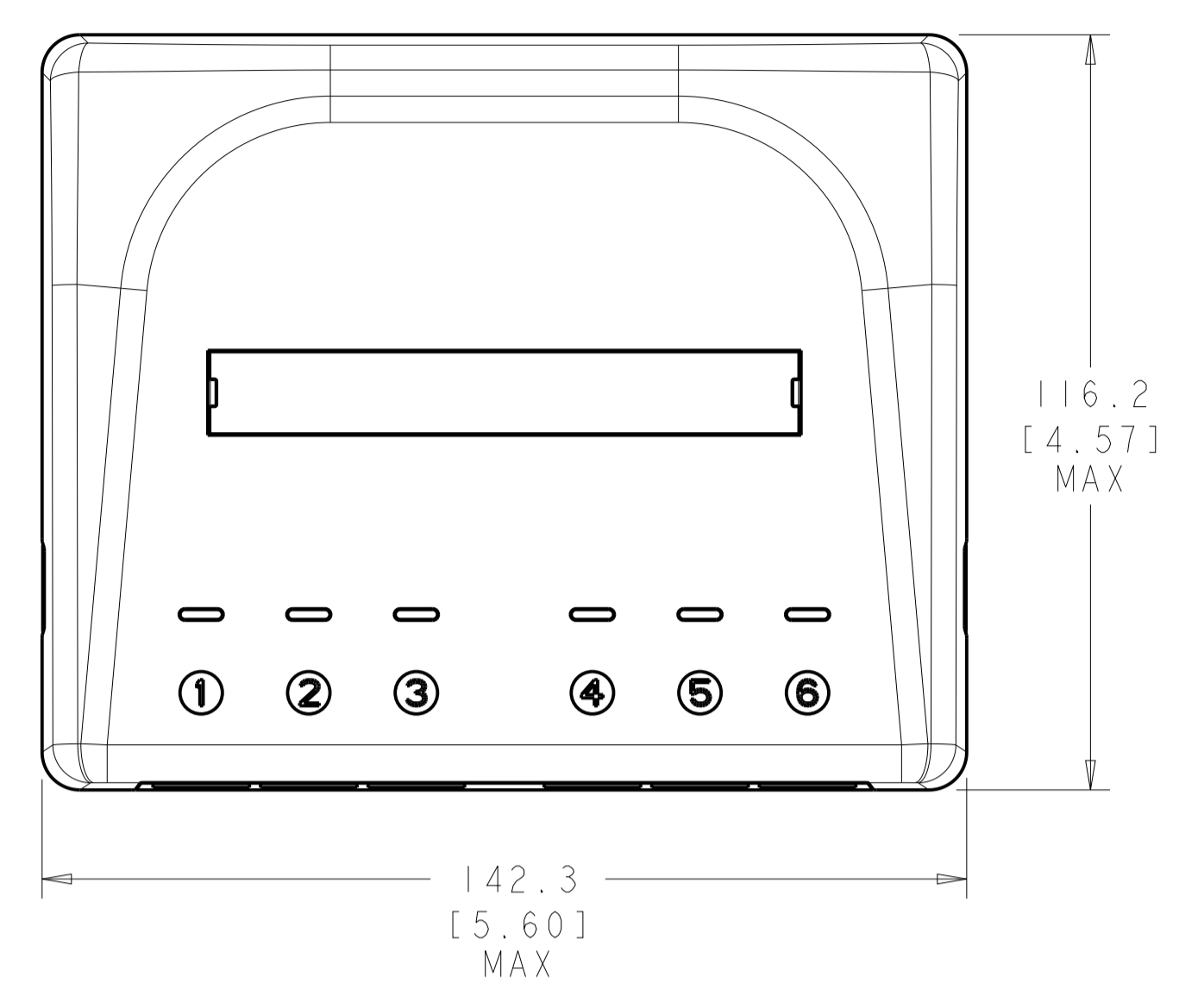
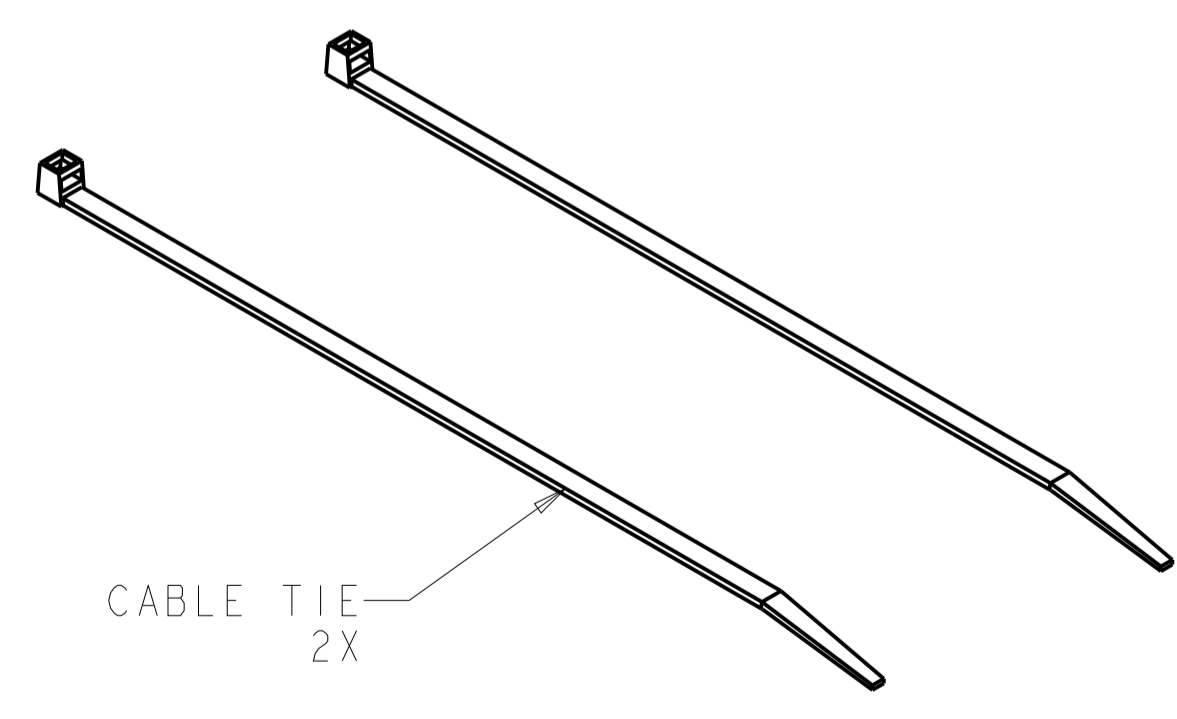
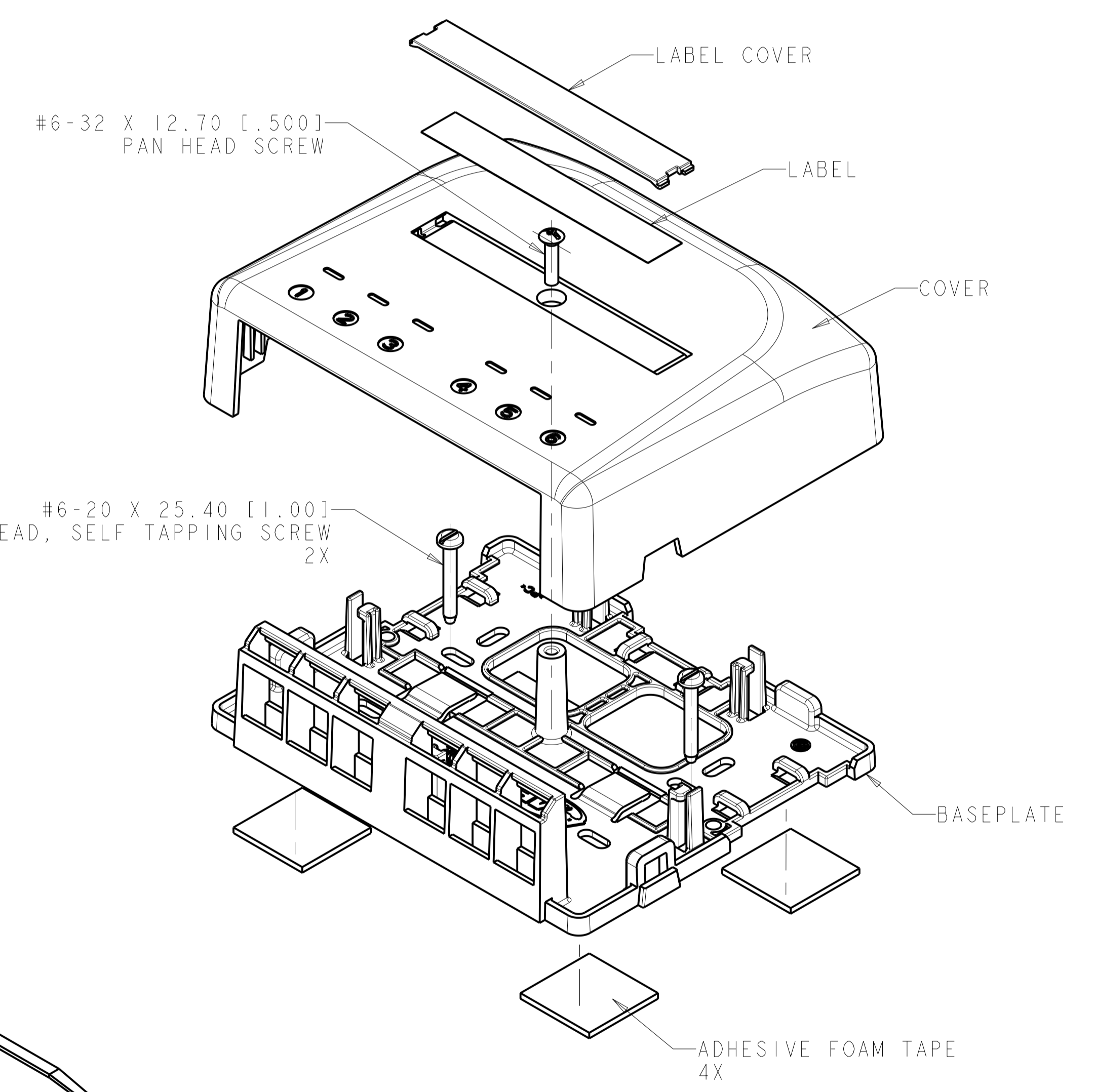


REVISIONS				
REV	DATE	DESCRIPTION	BY	APP'D
B	10 JUN2010	REV; ECO-10-012110	GG	RA
C	04 AUG2011	REV ECO-11-015902	LH	RA
D	09 NOV2015	REV; MCO-40026185MCO	HG	LS
E	02FEB2017	REV PER BNS_CD_BRAND	GG	DC



- △ MATERIAL: BASE & COVER - POLYCARBONATE MOLDING COMPOUND. SEE TABLE FOR COLOR.  
 LABEL COVERS - POLYCARBONATE MOLDING COMPOUND.  
 LABELS - WHITE INDEX PAPER.  
 SCREWS - ZINC PLATED CARBON STEEL.  
 FOAM TAPE - POLYETHYLENE  
 CABLE TIE - NYLON 6/6
- THIS KIT SHIPPED NOT ASSEMBLED.
  - ACCEPTS ANY COMBINATION OF SL-SERIES, AND AMP-TWIST MODULAR JACKS, MT-RJ OUTLET JACKS AND SL SERIES MULTI MEDIA INSERTS.
  - BASE ACCEPTS TWO MAGNETS FOR OPTIONAL MOUNTING TO METAL SURFACE. MAGNET (1933677-1) PURCHASED SEPARATELY.



ALPINE WHITE	1-1933674-3
ELECTRIC IVORY	1-1933674-1
NEMA GRAY	1933674-4
BLACK	1933674-2
LIGHT ALMOND	1933674-1
COLOR	PART NUMBER

THIS DRAWING IS A CONTROLLED DOCUMENT.		OWN	J. MCNEAL	30JUN2008
DIMENSIONS: mm [ INCHES ]		CHK	S. TOBEY	30JUN2008
TOLERANCES UNLESS OTHERWISE SPECIFIED:		APP'D	S. TOBEY	30JUN2008
0 PLC	±	PRODUCT SPEC		
1 PLC	±.25	APPLICATION SPEC		
2 PLC	±	WEIGHT		
3 PLC	±	SCALE	1:2	
4 PLC	±	SHEET	1 OF 1	
ANGLES	±0.2°	REV	E	
FINISH		Customer Drawing		

COMMSCOPE, INC.  
 KIT, 6 PORT SURFACE MOUNT MODULE  
 NAME: KIT, 6 PORT SURFACE MOUNT MODULE  
 SIZE: A1  
 CAGE CODE: 1933674  
 SCALE: 1:2 SHEET 1 OF 1 REV E