

Metro Cell Family Antennas

POWERED BY



Bulletin 627412 • Revision B • October 2014 • Page 1 of 2

CommScope Infrastructure Academy offers installation training.

GENERAL INFORMATION

The Metro Cell antenna (Figure 1) is a dual band, compact antenna including a GPS antenna inside. It is the responsibility of qualified personnel to determine the best method for securely anchoring the base plate of the antenna to the mounting surface.

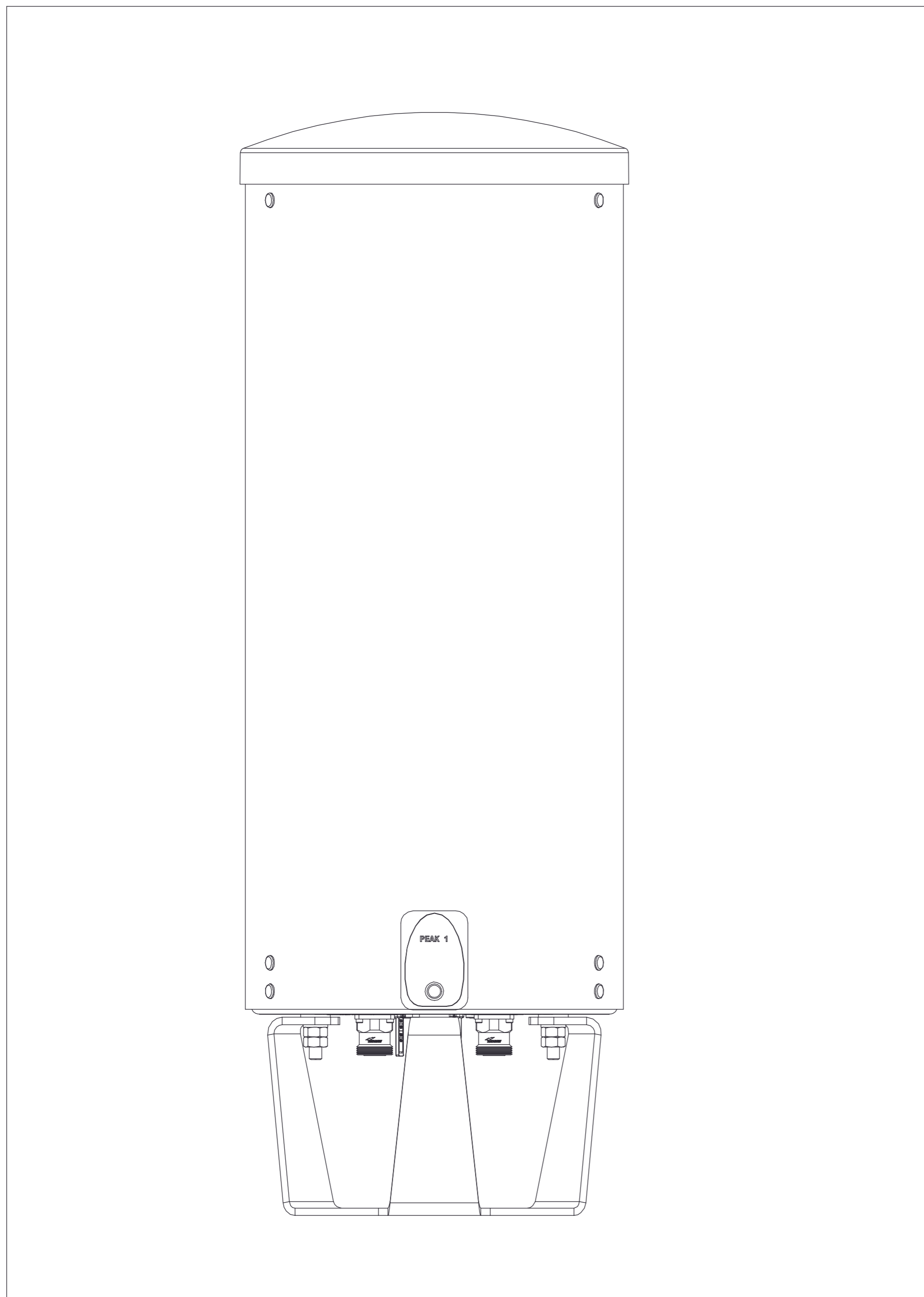


Figure 1. Metro Cell Antenna.

INSTALLATION INSTRUCTIONS

- Examine antenna and hardware to ensure that all parts are enclosed and that there is no physical damage.
- Verify that the frequency range shown on the label on the bottom of the antenna matches the frequency range of the station equipment.

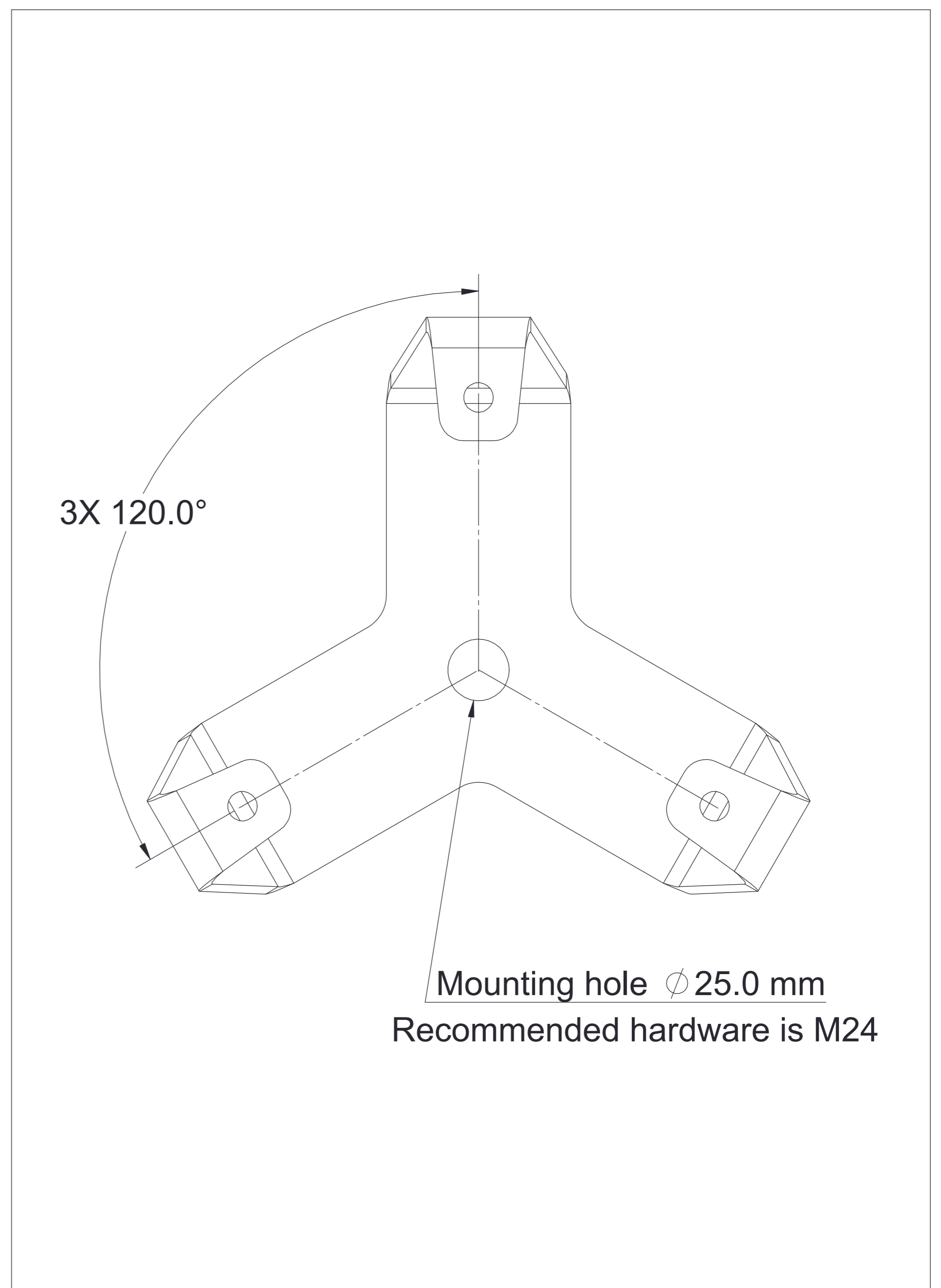


Figure 2. Mounting and Cable Routing Holes on Base.

(continued on page 2)

NOTICE

The installation, maintenance, or removal of an antenna requires qualified, experienced personnel. Commscope installation instructions are written for such installation personnel. Antenna systems should be inspected once a year by qualified personnel to verify proper installation, maintenance, and condition of equipment. Commscope disclaims any liability or responsibility for the results of improper or unsafe installation practices.



Do not install near power lines. Power lines, telephone lines, and guy wires look the same. Assume any wire or line can electrocute you.



Do not install on a wet or windy day or when lightning or thunder is in the area. Do not use metal ladder.



Wear shoes with rubber soles and heels. Wear protective clothing including a long-sleeved shirt and rubber gloves.

(Continued from page 1)

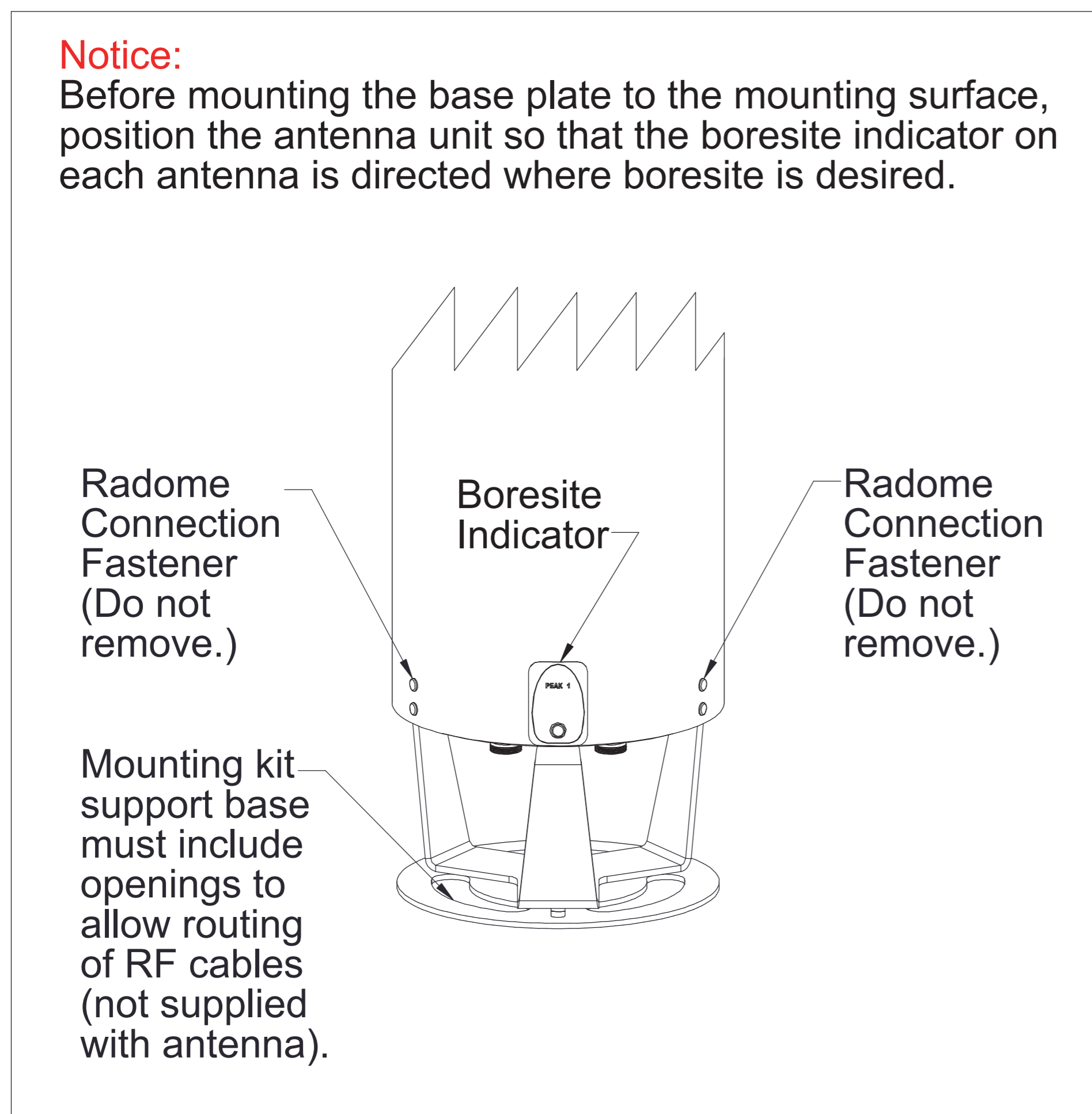


Figure 3. Determining Boresite for Each Antenna.

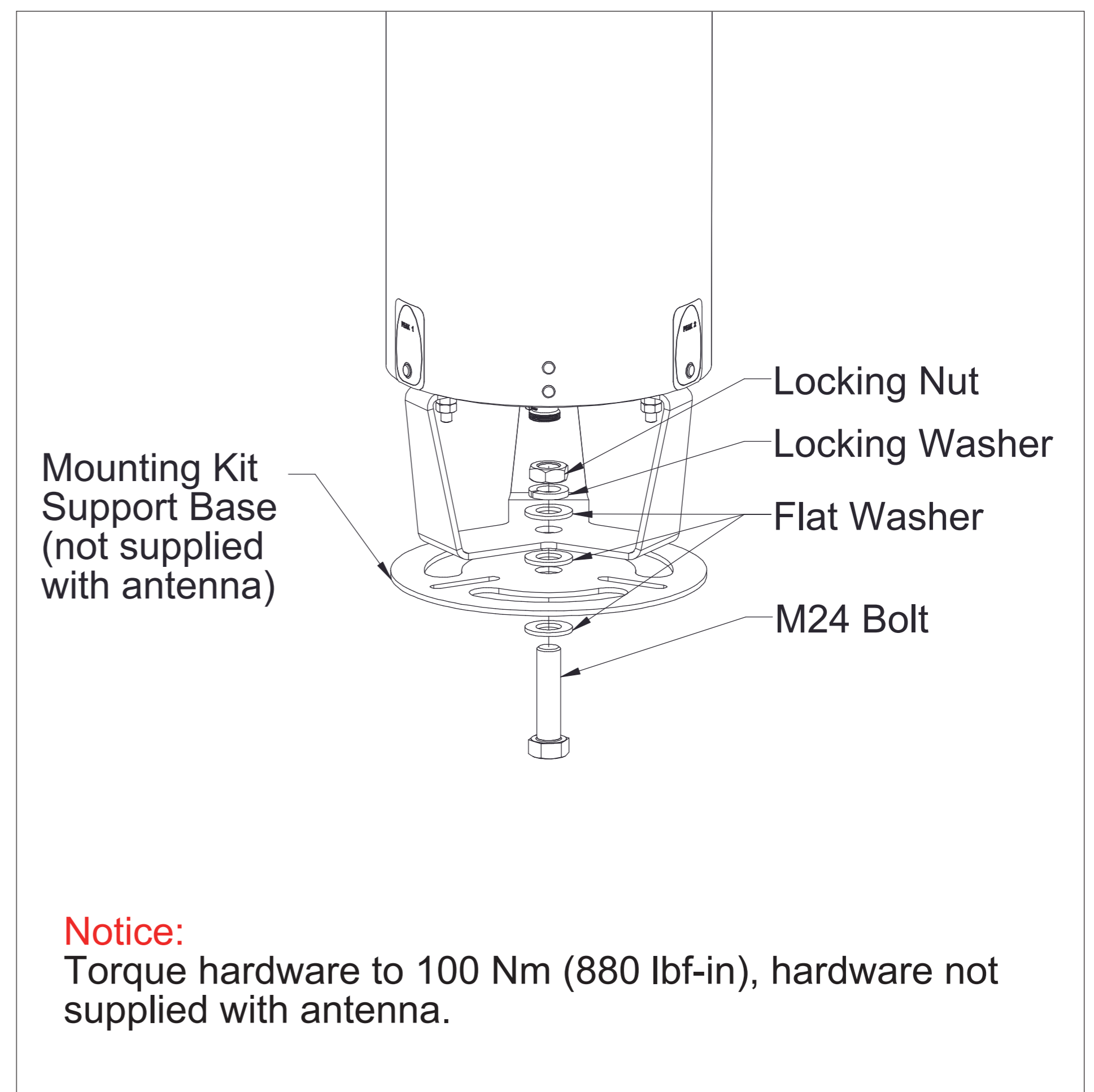


Figure 4. Antenna Installation Interface

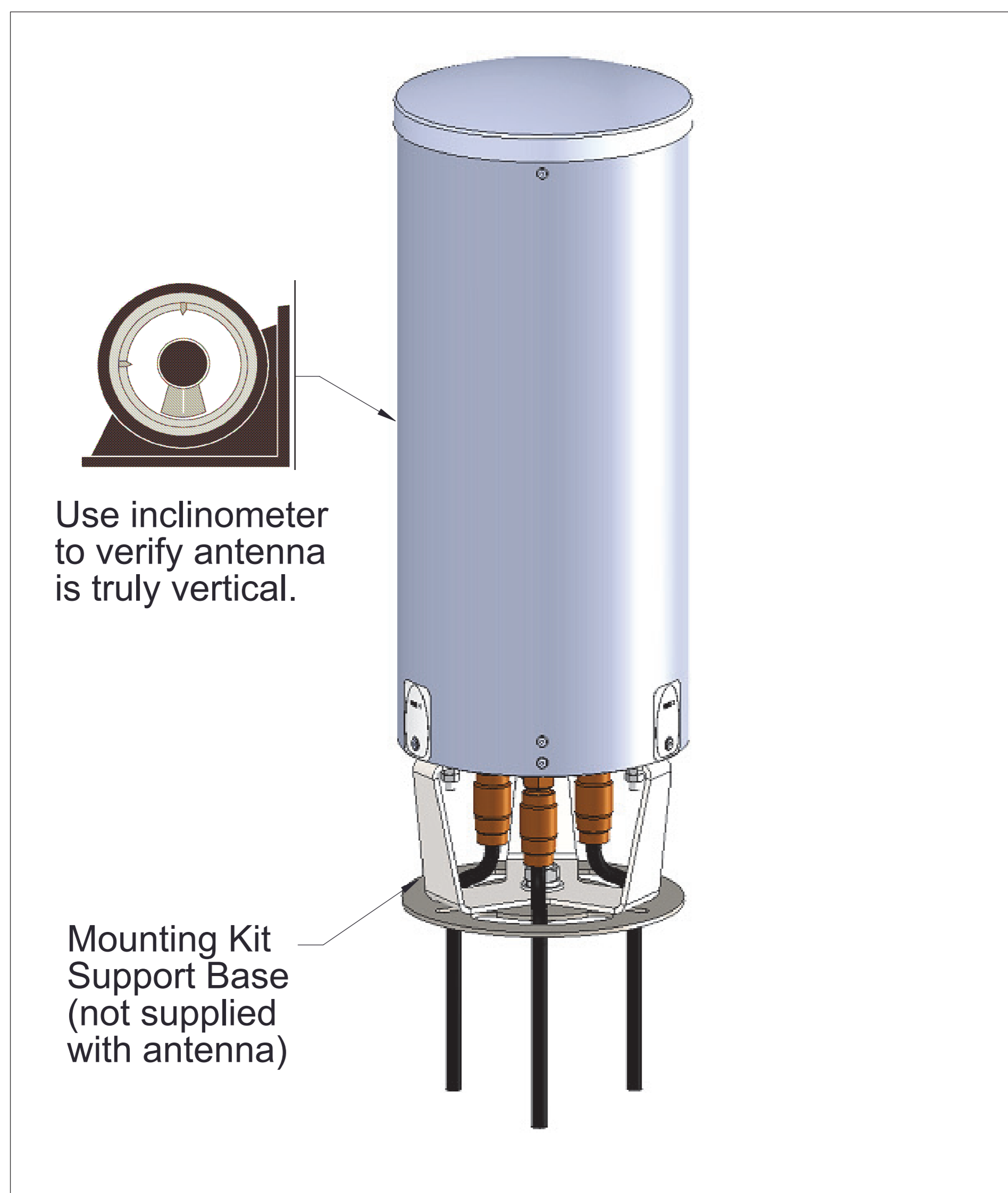


Figure 5. Routing RF Cable and Vertical Alignment

1. Refer to Figures 2, 3 and 4 for mounting and boresite alignment. It is recommended that the mounting holes be marked and made ready in the mounting surface prior to installing the antenna.
2. Attach the RF cables to the antenna input connectors and torque the 7-16 DIN connector to 25-30 Nm (220-265 lbf-in), and the 4.1/9.5 DIN connector to 5-10 Nm (44-88 lbf-in), refer to Figure 5.

CommScope

1100 CommScope Place SE P.O. Box 339, Hickory, NC 28603-0339
(828) 324-2200 (800) 982-1708
www.commscope.com/andrew

Customer Service 24 hours

North America: +1-800-255-1479 (toll free)
Any country: +1-779-435-6500
email: acicustomersupportcenter@commscope.com

Notice: CommScope disclaims any liability or responsibility for the results of improper or unsafe installation, inspection, maintenance, or removal practices.
Aviso: CommScope no acepta ninguna obligación ni responsabilidad como resultado de prácticas incorrectas o peligrosas de instalación, inspección, mantenimiento o retiro.
Avis: CommScope décline toute responsabilité pour les conséquences de procédures d'installation, d'inspection, d'entretien ou de retrait incorrectes ou dangereuses.
Hinweis: CommScope lehnt jede Haftung oder Verantwortung für Schäden ab, die aufgrund unsachgemäßer Installation, Überprüfung, Wartung oder Demontage auftreten.
Atenção: A CommScope abdica do direito de toda responsabilidade pelos resultados de práticas inadequadas e sem segurança de instalação, inspeção, manutenção ou remoção.
Avvertenza: CommScope declina eventuali responsabilità derivanti dall'esecuzione di procedure di installazione, ispezione, manutenzione e smontaggio improprie o poco sicure.
注意: CommScope 公司申明对于不恰当或不安全的安装、检验、维修或拆卸 操作所导致的后果不负任何义务和责任。