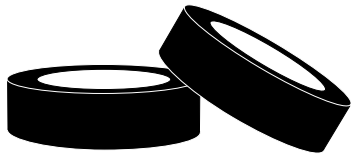


Installation Instructions



Fusion Weatherproofing Tape

Andrew Institute offers installation training.



Installation Tips

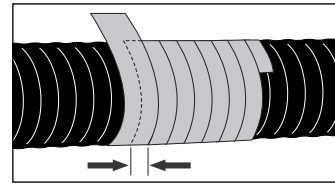
- When applied, the tape must be above 32°F (0°C) to ensure adhesion. Keep tape warm by carrying in coat pockets.
- Stretch the tape only enough to provide a smooth wrap.
- Smooth each wrapped layer with your hands to ensure full adhesion.
- Do not pull the tape to tear it - always cut it. Pulled tape eventually unravels, decreasing protection.
- Ensure complete coverage of coupling transition. (step 4)
- When wrapping tape, overlap the tape to two-third.

Part number	Description	Quantity
FT-TB	.030" x 1.5" x 15' Black	2 rolls per kit
FT-TR	.030" x 1.5" x 15' Red	2 rolls per kit
FT-TW	.030" x 1.5" x 15' White	2 rolls per kit

Note: Each roll of tape will accommodate one jumper to feeder connection and two jumper to antenna connections.

When removing the weatherproofing from connections, take precautions to not cut through the jacket of the coaxial cable. If the jacket is cut, the rewinding should start at the point of the exposed copper outer conductor.

Tape overlap



1

Connector Coupling

Connector type	Torque
7-16 DIN	18 - 22 lb-ft
N	15 - 25 lb-in

3

5

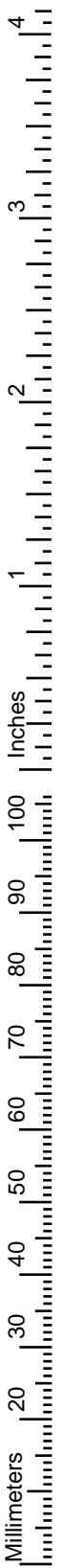
2

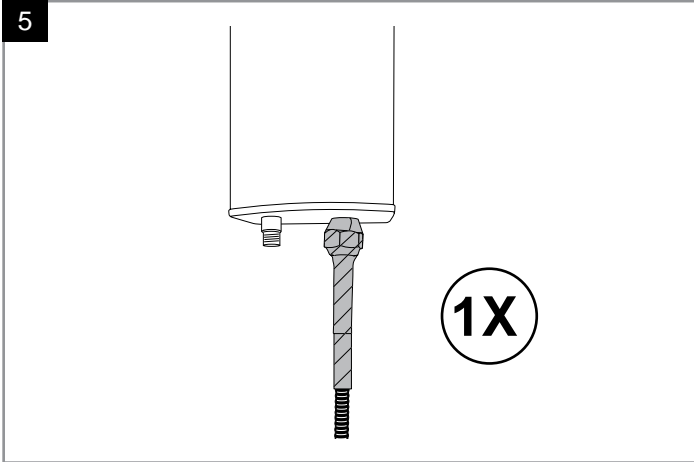
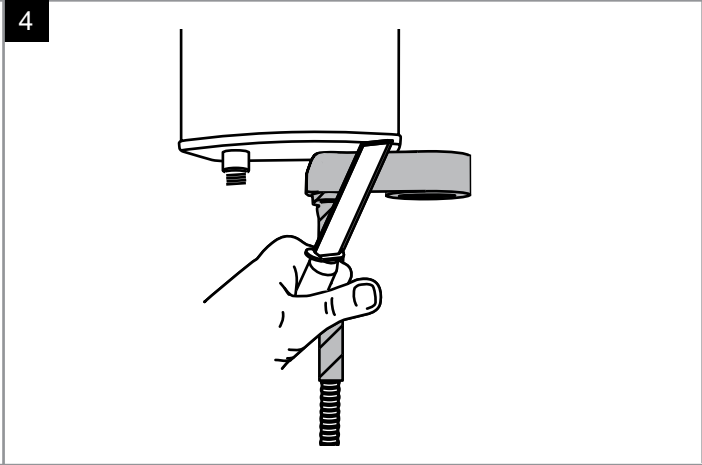
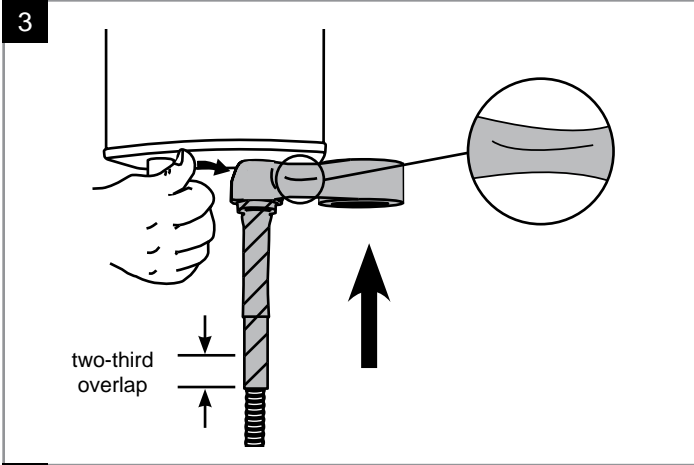
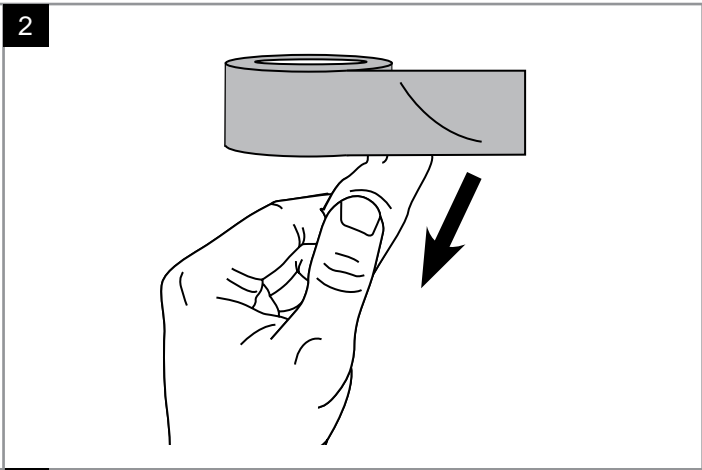
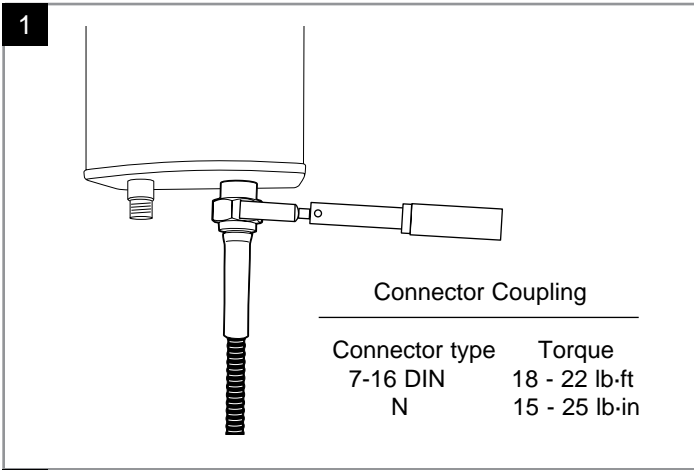
4

two-third overlap

6

1X





Andrew Corporation
 3 Westbrook Corporate Center, Suite 900, Westchester, Illinois U.S.A. 60154
 +1 (708) 349-3300 Fax (U.S.A.): 1-800-349-5444
 www.andrew.com

Customer Service 24 hours
 U.S.A., Canada, Mexico: 1-800-255-1479
 U.K.: 0800 250055
 Other Europe: +44 592 782 612

Notice: Andrew disclaims any liability or responsibility for the results of improper or unsafe installation, inspection, maintenance, or removal practices.
 Aviso: Andrews no acepta ninguna obligación ni responsabilidad como resultado de prácticas incorrectas o peligrosas de instalación, inspección, mantenimiento o retiro.
 Avis : Andrew décline toute responsabilité pour les conséquences de procédures d'installation, d'inspection, d'entretien ou de retrait incorrectes ou dangereuses.
 Hinweis: Andrew lehnt jede Haftung oder Verantwortung für Schäden ab, die aufgrund unsachgemäßer Installation, Überprüfung, Wartung oder Demontage auftreten.
 Atenção: A Andrew abdica do direito de toda responsabilidade pelos resultados de práticas inadequadas e sem segurança de instalação, inspeção, manutenção ou remoção.
 Avvertenza: Andrew declina eventuali responsabilità derivanti dall'esecuzione di procedure di installazione, ispezione, manutenzione e smontaggio improprie o poco sicure.
 注意：Andrew 公司申明對於不恰當或不安全的安裝、檢驗、維修或拆卸操作所導致的後果不負任何義務和責任