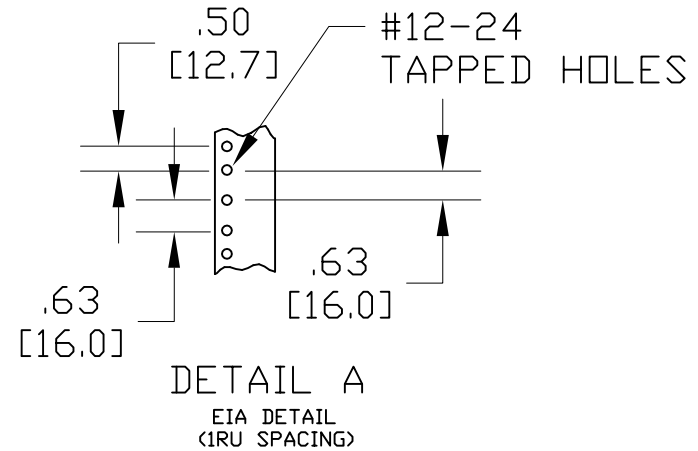
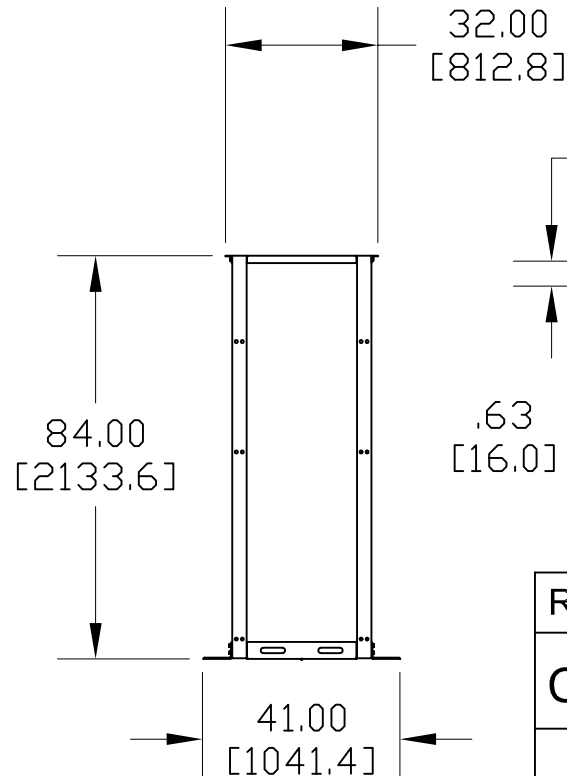
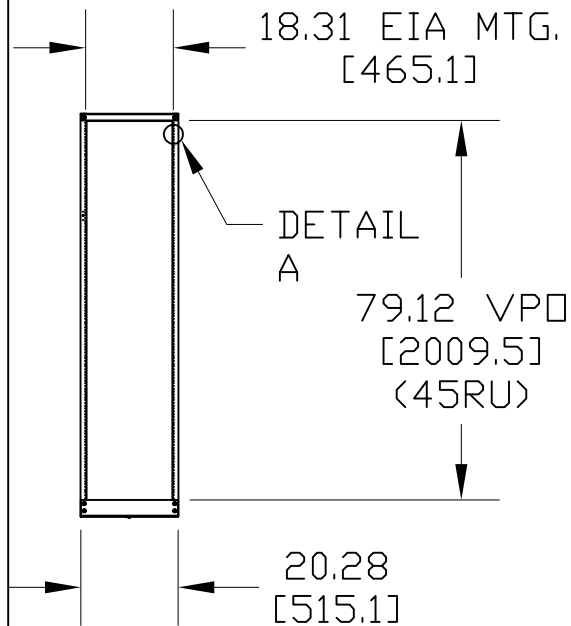
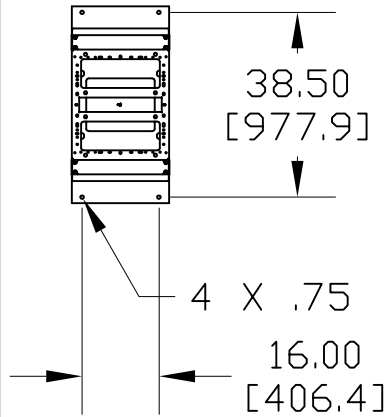


MATERIAL ID	DESCRIPTION	WEIGHT (lbs.)
760082529	EQUIPMENT RACK, 3 INCH CHANNEL X 7 FT HIGH, 45RU, 4 POST	65

NOTES:

- SEE COMMSCOPE CATALOG FOR PART NUMBER SUFFIXES TO INDICATE COLOR/PKG.
- SEE COMMSCOPE CATALOG FOR COMPLETE LIST OF PARTS RELATED TO THE USE OF THIS PRODUCT.
- DIMENSIONS IN PARENTHESES ARE IN METRIC.
- PART INCLUDES:
 (1) RACK
 (24) BOLTS, WASHERS and HEX-NUTS
 (40) SCREWS



RK4P45-29A

COMMSCOPE, INC HICKORY, NORTH CAROLINA

REV	DATE	ECR	DESCRIPTION	BY
1	4/23/08		INITIAL ISSUE	TTL

DRAWN BY SEW	
DATE 4/23/08	DWG NO. 760082529