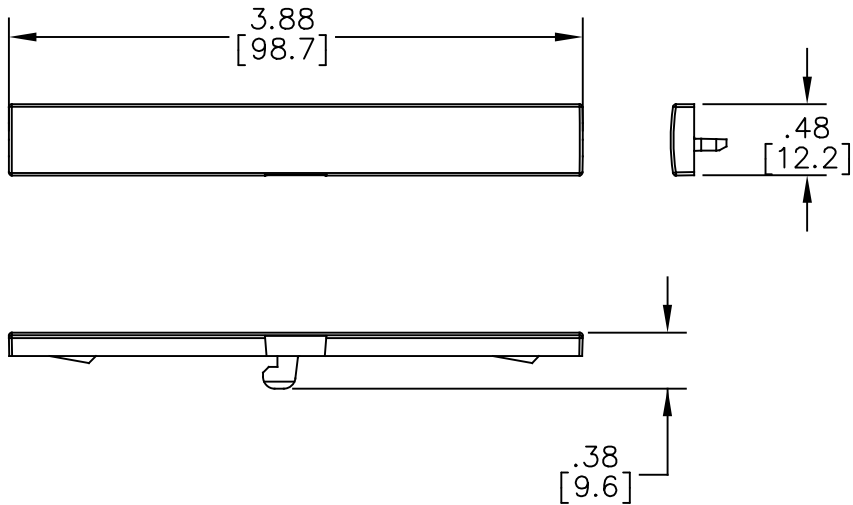


MATERIAL ID	DESCRIPTION
760244550	ASSEMBLY, LABEL HOLDER KITS



- NOTES:
- SEE COMMSCOPE CATALOG FOR PART NUMBER SUFFIXES TO INDICATE COLOR/PKG.
 - SEE COMMSCOPE CATALOG FOR COMPLETE LIST OF PARTS RELATED TO THE USE OF THIS PRODUCT.
 - DIMENSIONS ARE IN INCHES[MM].
 - PART INCLUDES:
 (4) STRIP, LABEL HOLDER FOR DDM(CLEAR)
 (1) PAPER, LABEL FOR DDM

ULH KIT-DDM-4PK	
COMMSCOPE, INC OF NORTH CAROLINA	
DRAWN BY DJ	DWG NO 760244550
DATE 22-OCT-2019	

REV	DATE	ECR	DESCRIPTION	APPROVED BY
1	22-OCT-19		INITIAL ISSUE	PL