



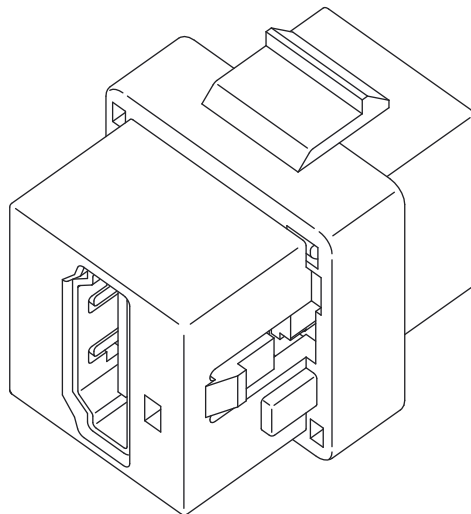
## M81 HDMI Pass-Through Connector Instructions

### General

The **CommScope®** M81 HDMI (High Definition Multimedia Interface) pass-through connector delivers digital audio and video signals compatible with all HDMI sources, including HDTVs and projectors. The connector is compatible with **CommScope** flexible faceplates, variable furniture faceplates, and surface mount boxes.

Ordering information is listed below:

Material ID	Part No.	Description
760190686	M81-HDMI-PT-266	M81 HDMI pass -through connector, white
760198465	M81-HDMI-PT-246	M81 HDMI pass -through connector, ivory

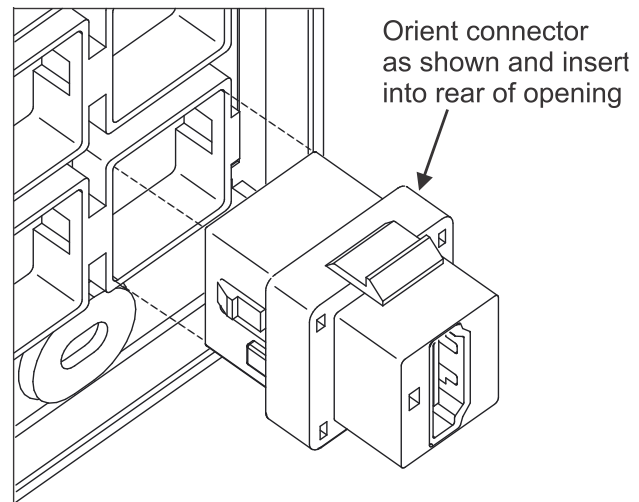


### How to Contact Us

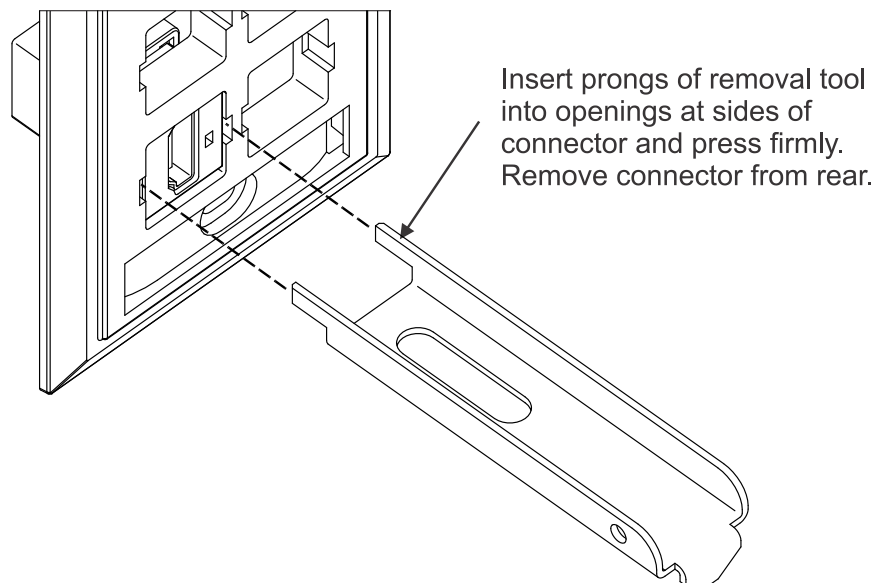
- To find out more about **CommScope®** products, visit us on the web at <http://www.commscope.com/>
- For technical assistance:
  - Within the United States, contact your local account representative or technical support at 1-800-344-0223. Outside the United States, contact your local account representative or **PartnerPRO™** Network Partner.
  - Within the United States, report any missing/damaged parts or any other issues to **CommScope** Customer Claims at 1-866-539-2795 or email to [claims@commscope.com](mailto:claims@commscope.com). Outside the United States, contact your local account representative or **PartnerPRO** Network Partner.

## Snap Connector into Faceplate

Orient connector as shown and snap into faceplate, consolidation point, or any other product designed for use with standard M-series opening outlets from the rear.



## Connector Removal



To remove a connector for inspection or repair, insert prongs of removal tool into openings at sides of connector and press firmly. Remove the connector from the rear.

**Note:** A standard termination cap or jack removal tool can also be used to remove the connector. The removal tool is a separately orderable item.