

# E14F20P09

---



Twin Pentaplexer 617-960/1350-2200/2300-2400/2496-2700/3300-4200, dc bypass on low ports, with 4.3-10 connectors

- New Combining Solution to introduce 5G, 3.5GHz band
- Industry leading PIM performance
- New 4.3-10 connectors for improved PIM performance and size reduction
- Suitable for feeders cables reduction
- dc/AISG pass-through on low frequency ports
- Clam shell configuration

## Product Classification

**Product Type** Pentaplexer

## General Specifications

**Color** Gray

**Modularity** 2-Twin

**Mounting** Pole | Wall

**Mounting Pipe Hardware** Band clamps (2)

**RF Connector Interface** 4.3-10 Female

## Dimensions

**Height** 87 mm | 3.425 in

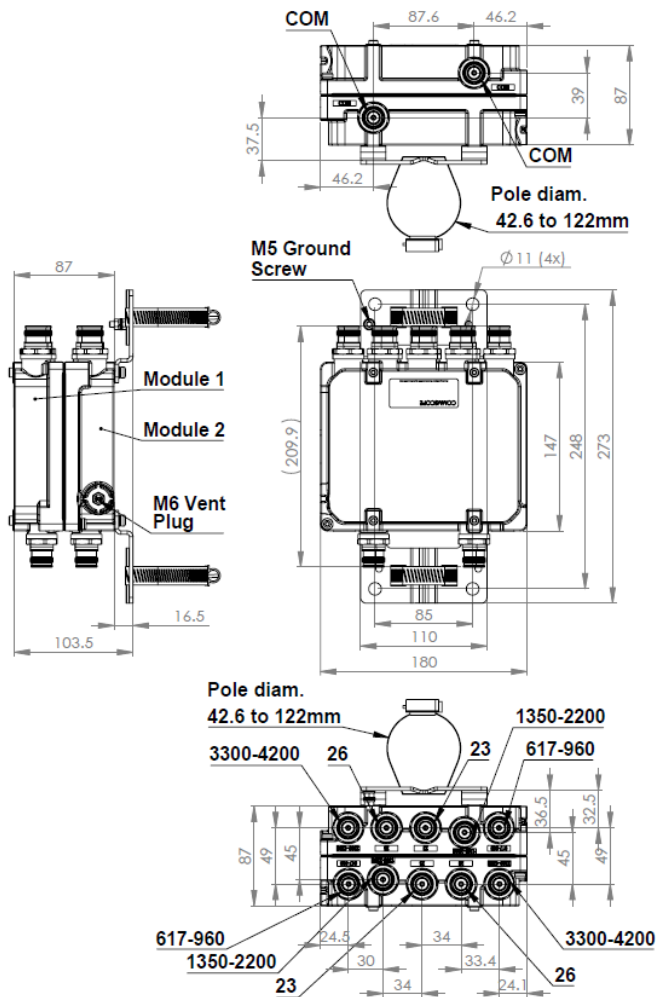
**Width** 180 mm | 7.087 in

**Depth** 157 mm | 6.181 in

**Mounting Pipe Diameter Range** 42.6–122 mm

## Outline Drawing

# E14F20P09



## Electrical Specifications

**Impedance** 50 ohm

## Electrical Specifications, dc Power/Alarm

**dc/AISG Pass-through, combiner** Branch 1

**dc/AISG Pass-through, demultiplexer** Branch 1

**Lightning Surge Current** 5 kA

**Lightning Surge Current Waveform** 8/20 waveform

## Electrical Specifications

<b>Sub-module</b>	1   2	1   2	1   2	1   2	1   2
<b>Branch</b>	1	2	3	4	5

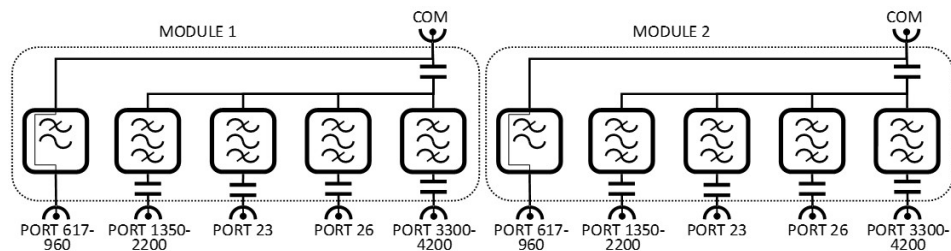
# E14F20P09

**Port Designation**                      PORT 1 617-960    PORT 2 1350-2200    PORT 3 2300-2400    PORT 4 2496-2700    PORT 5 3300-4200

## Electrical Specifications, Band Pass

Frequency Range, MHz	617–960	1350–2200	2300–2400	2496–2700	3300–4200
<b>Insertion Loss, typical, dB</b>	0.15	0.2	0.3	0.3	0.2
<b>Return Loss, typical, dB</b>	20	20	20	20	20
<b>Isolation, typical, dB</b>	35	35	35	45	55
<b>Input Power, RMS, maximum, W</b>	125	125	125	125	125
<b>Input Power, PEP, maximum, W</b>	1250	1250	1250	1250	1250
<b>3rd Order PIM, typical, dBc</b>	-163	-163	-163	-163	-163
<b>3rd Order PIM Test Method</b>	Two +43 dBm carriers	Two +43 dBm carriers	Two +43 dBm carriers	Two +43 dBm carriers	Two +43 dBm carriers

## Block Diagram



## Mechanical Specifications

**Wind Speed, maximum**                      240 km/h (149 mph)

## Environmental Specifications

**Operating Temperature**                      -40 °C to +65 °C (-40 °F to +149 °F)

**Corrosion Test Method**                      IEC 60068-2-11, 30 days

**Environmental Test Method**                      ETSI EN 300 019-1-4

**Ingress Protection Test Method**                      IEC 60529:2001, IP67

## Packaging and Weights

**Included**    Mounting hardware

**Volume**    2.5 L

**Weight, net**    4.7 kg | 10.362 lb

**Weight, without mounting hardware**                      4.3 kg | 9.48 lb

E14F20P09

---