

Installation Instructions

MT-CONTROLLER

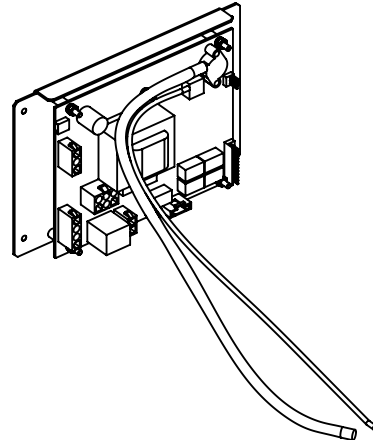
Description

Control board replacement kit, MT050C/MT500D

Notice

The installation, maintenance or removal of dehydrator systems requires qualified, experienced personnel. Commscope installation instructions have been written for such personnel. Dehydrator systems should be inspected once a year by qualified personnel to verify proper installation, maintenance, and condition of equipment.

Commscope disclaims any liability or responsibility for the results of improper or unsafe installation practices.



Main Hazards - Health Effects

Eyes: May cause irritation.

Inhalation: Viscous nature may block breathing passages if inhaled.

Ingestion: May cause diarrhoea.

Skin: For hypersensitive persons, may irritate the skin after long periods of contact.

Respiratory Protection: None needed.

Hand Protection: Protective gloves for hypersensitive persons.

Eye Protection: Glasses, if applied to parts in motion.

Body Protection: Overalls.

Table 1. Parts List

Item	Description	Qty
1	CONTROL BOARD ASSEMBLY	1
2	INSTALLATION INSTRUCTION	1
3	CABLE TIES	12
4		
5		
6		

Tools Required

PHILLIPS SCREWDRIVER

Andrew Solutions

Customer Service 24 hours

U.S.A., Canada, Mexico: 1-800-255-1479
 or 1-888-235-5732
 U.K.: 0800 250055
 Other Europe: +44 592 782 612

www.commscope.com/andrew

Visit our Web site at www.commscope.com/andrew or contact your local Andrew Solutions representative for more information.

© 2008 Commscope, Inc. All rights reserved.

Andrew Solutions is a trademark of Commscope. All trademarks identified by ® or ™ are registered trademarks or trademarks, respectively, of Commscope. This document is for planning purposes only and is not intended to modify or supplement any specifications or warranties relating to Andrew Solutions products or services.

Notice: Andrew disclaims any liability or responsibility for the results of improper or unsafe installation, inspection, maintenance, or removal practices.

Aviso: Andrews no acepta ninguna obligacion ni responsabilidad como resultado de practicas incorrectas o peligrosas de instalacion, inspeccion, mantenimiento o retire.

Avis : Andrew decline toute responsabilite pour les consequences de procedures d'installation, d'inspection, d'entretien ou de retrait incorrectes ou dangereuses.

Hinweis: Andrew lehnt jede Haftung Oder Verantwortung fur Schaden ab, die aufgrund unsachgemaBer Installation, Uberprufung, Wartung Oder Demontage auftreten.

Atencao: A Andrew abdica do direito de toda responsabilidade pelos resultados de praticas inadequadas e sem seguranca de instalacao, inspecao, manutengao ou remocao.

Awertenza: Andrew declina eventual! responsabilita dervanti dell'esecuzione di procedure di installazione, ispezione, manutenzione e smontaggio improprie o poco sicure.

注意：Andrew 公司申明對於不恰當或不安全的安裝、檢驗、維修或拆卸操作所導致的後果不負任何義務和責任



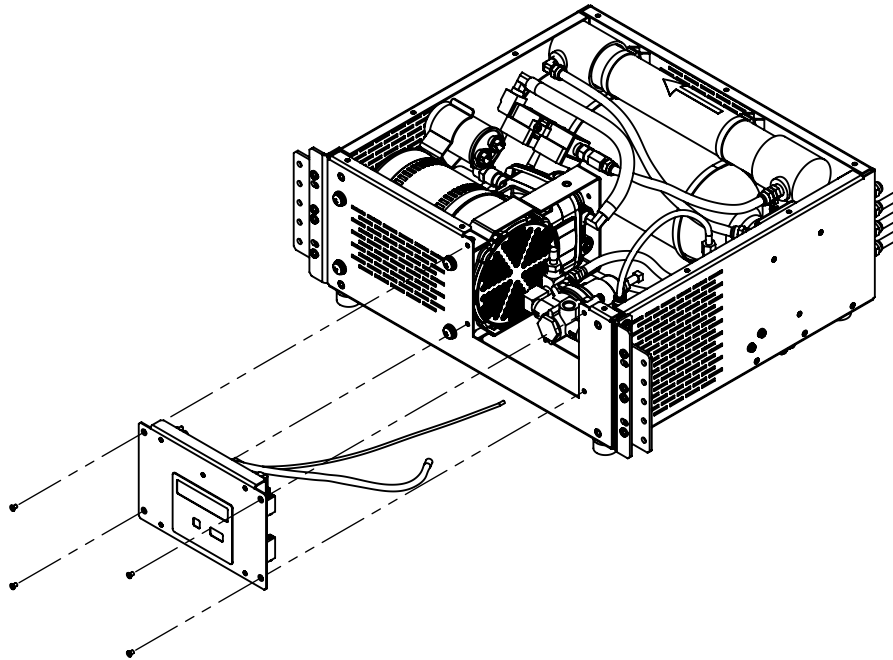
Installation Instructions

MT-CONTROLLER

page 2 of 2

Version 02 StatusRE Rev A

Model Version 07 StatusRE Rev D



1. TURN OFF POWER TO THE UNIT AND REMOVE THE POWER CORD. REMOVE THE COVER IN ORDER TO ACCESS CONNECTIONS INSIDE THE DEHYDRATOR.
2. DISCONNECT THE BLUE PRESSURE SENSOR HOSE FROM THE BARB FITTING ON THE OUTPUT MANIFOLD.
3. **MT050C** - DISCONNECT THE RED PRESSURE SENSOR HOSE FROM THE BARBED FITTING ON THE UNDERSIDE OF THE TANK ASSEMBLY.
4. **MT500D** - DISCONNECT THE RED PRESSURE SENSOR HOSE FROM THE BARBED FITTING ON THE INLET OF THE BACK PRESSURE REGULATOR ASSEMBLY. THIS IS LOCATED NEXT TO THE CONNECTION FROM THE DRYER TUBE OUTPUT.
5. REMOVE ALL OF THE ELECTRICAL CONNECTORS FROM THE CONTROL BOARD.
6. UNSCREW THE FOUR SCREWS HOLDING THE CONTROL BOARD PLATE TO THE CHASSIS. REPLACE THIS ASSEMBLY WITH THE NEW ONE. REPLACE THE HOSES AT THE APPROPRIATE FITTINGS.
7. REPLACE ELECTRICAL CONNECTIONS AS SHOWN BELOW.

