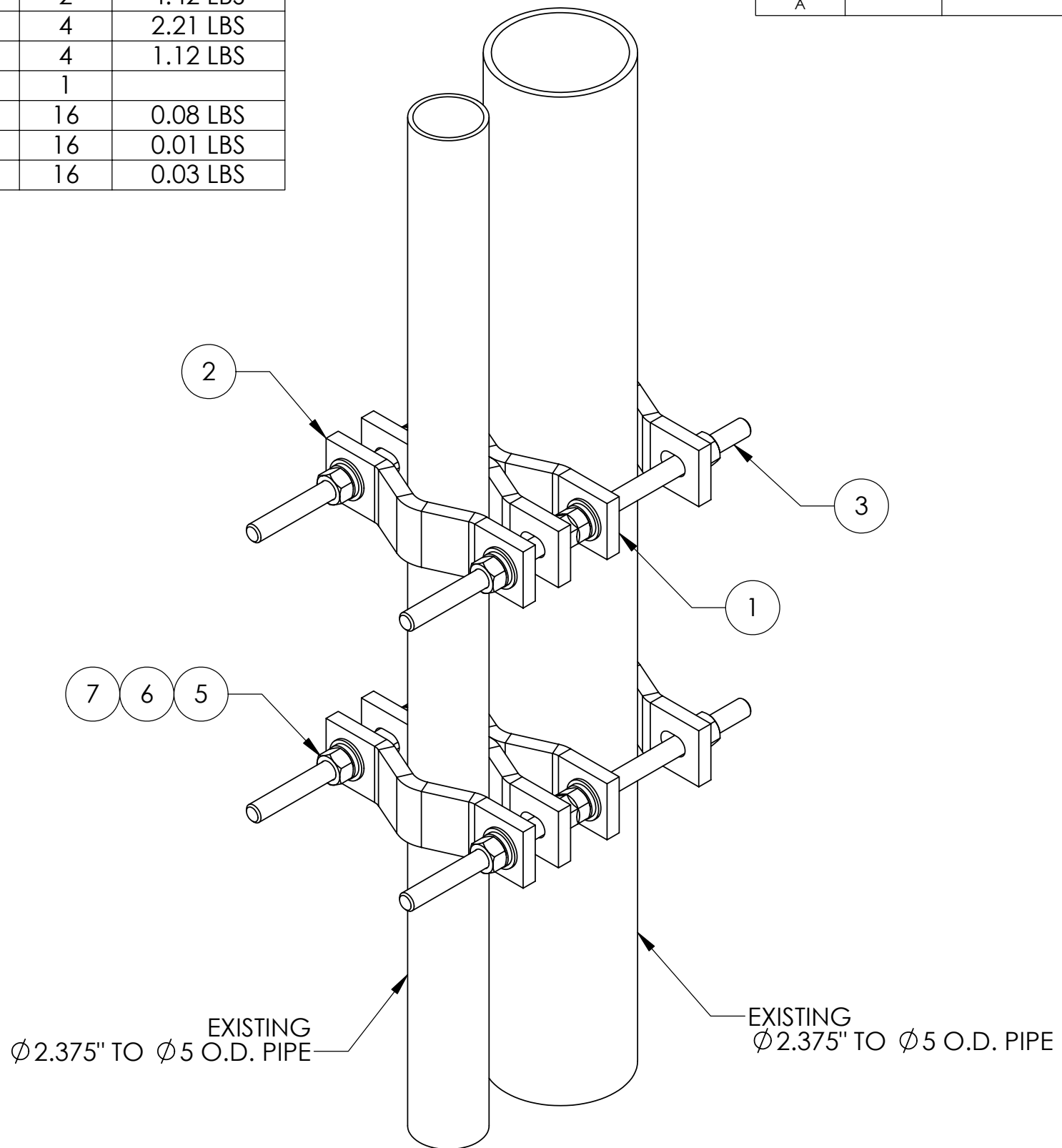


ITEM	PART NO.	DESCRIPTION	QTY.	WEIGHT
1	BBD	BACK TO BACK CLAMP SET	2	4.42 LBS
2	DC-P10	SMALL CLAMP HALF	4	2.21 LBS
3	MT-382-14	5/8" X 14" THREADED ROD	4	1.12 LBS
4	HB5816	HARDWARE KIT (ITEMS 4-6)	1	
5	GN05A	5/8" GALV HEX NUT (A325)	16	0.08 LBS
6	GWL-05	5/8" GALV LOCK WASHER	16	0.01 LBS
7	GWF05A	5/8" GALV FLAT WASHER (A325)	16	0.03 LBS

REVISIONS				
REV.	ZONE	DESCRIPTION	BY	DATE
A		INITIAL RELEASE	JTS	04/05/01



These drawings and specifications are the proprietary property of ANDREW CORPORATION and may be used only for the specific purpose authorized in writing by Andrew Corporation. ALL DIMENSIONS ARE IN INCHES U.O.S. TOLERANCES UNLESS OTHERWISE SPECIFIED: .X = ± .06 ANGLES ±2° .XX = ± .03 FRACTIONS ±1/32 .XXX = ± .010 REMOVE BURRS AND BREAK EDGES .005 DO NOT SCALE THIS PRINT	DRAWN BY ACG	SHEET 1 of 1	PART NUMBER BB-S20-14
	CHECKED BY TP	SCALE NTS	DESCRIPTION BACK TO BACK PIPE CLAMP SET
	DATE 10/14/05	MATERIAL A36	DRAWING TYPE ASSEMBLY DRAWING
	REVISION A	FINISH GALV A123	WEIGHT 24.33 LBS