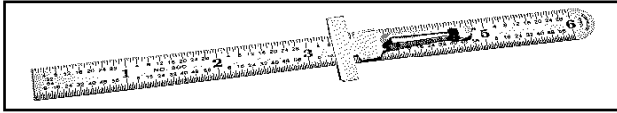


HELIAX® Connector Tool Kit

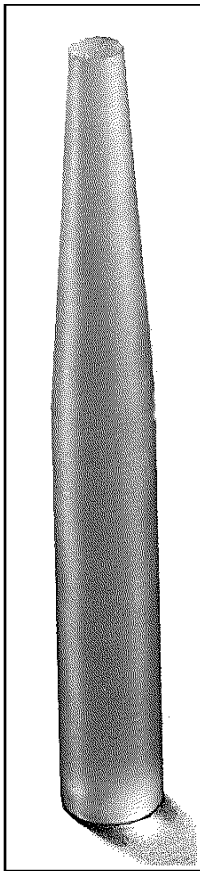
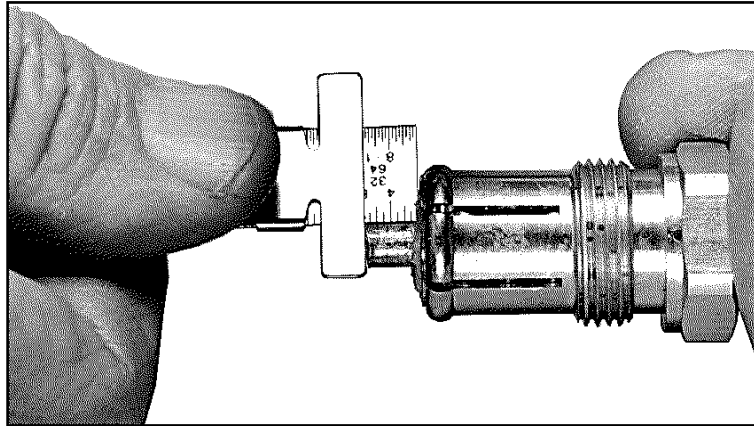


- | | |
|---|--|
| 222951* EASIAx® Cable Prep Tool, LDF5 | 224368 Flare tool, LDF5 |
| 207866* EASIAx® Cable Prep Tool, LDF4 | 224373 Flare tool, LDF6 |
| 207865* EASIAx® Cable Prep Tool, FSJ1/FSJ4 | 224392 Flare hammer |
| 224354 Inch/millimeter rule | 224393 Flat hammer tip |
| 224358 Tapered drift punch, 3/4" (19 mm) | 224394 Beveled hammer tip |
| 224361 Cut-off guide, 7/32" (5.5 mm), LDF4 | 224353 Wire snips |
| 224362 Cut-off guide, 8/32" (6.3 mm), FSJ4 | 224360 Pin alignment tool |
| 224380 Pin depth gauge for N-male connector | 224356 Fine flat file |
| 224395 Pin depth gauge for N-female connector | 224352 Safety knife |
| 224355 Greasing brush | 224377 Soldering pliers |
| 224390 Leather buffing strap | 114469 Pin depth gauge for
DIN - Female Connector |
| 224391 Emery cloth, 1ft (30 cm) | 114468 Pin depth gauge for
DIN - Male Connector |
| 241953 Chamfer Tool | |
| 224363 Flare tool, LDF4 | |

* See instructions packed with the tool.

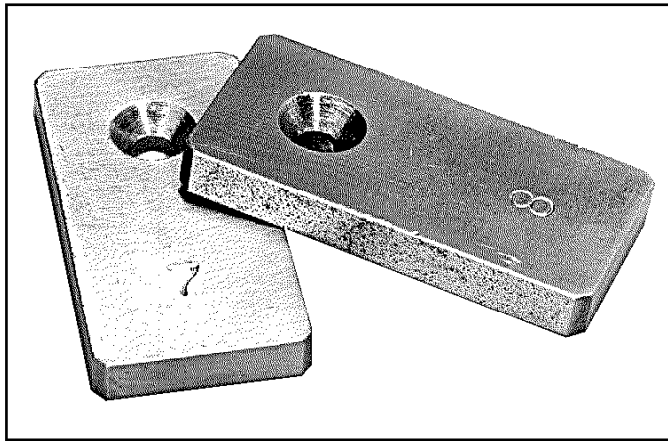


224354 Inch/millimeter rule



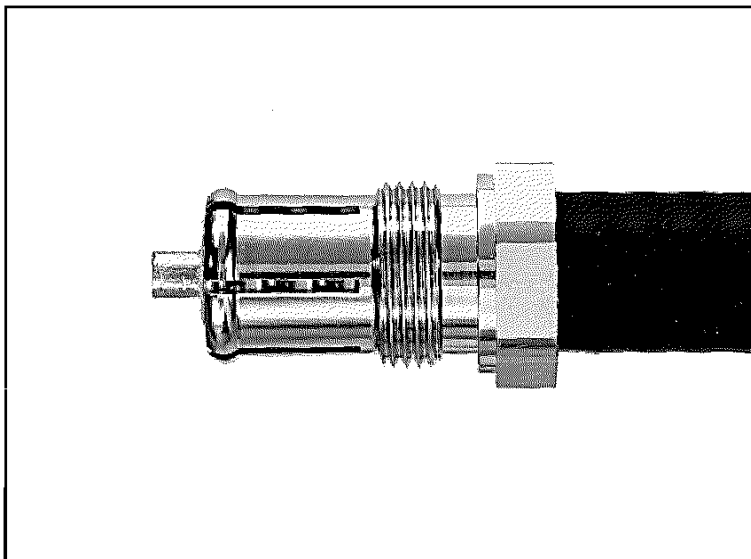
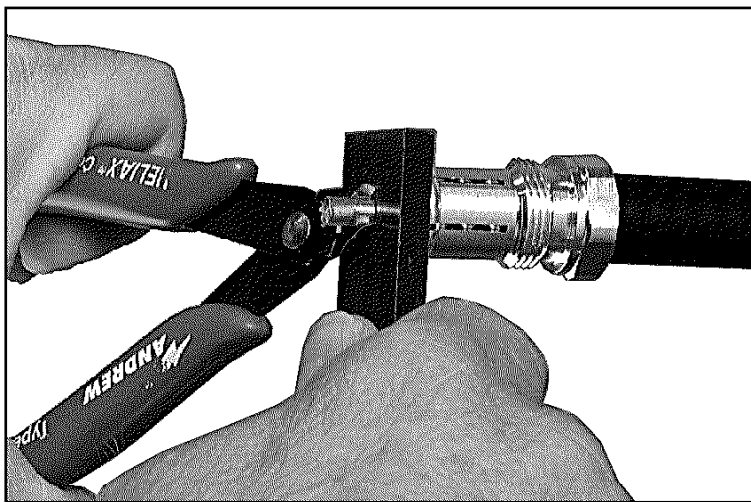
224358 Tapered drift punch

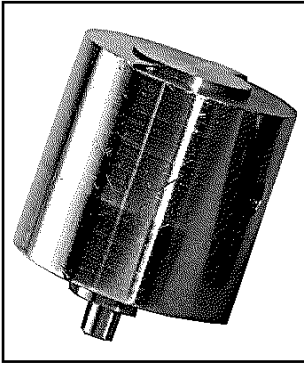




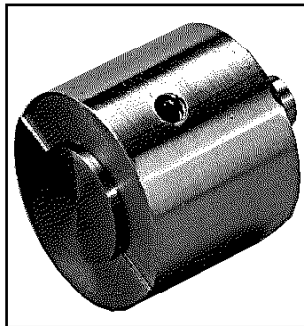
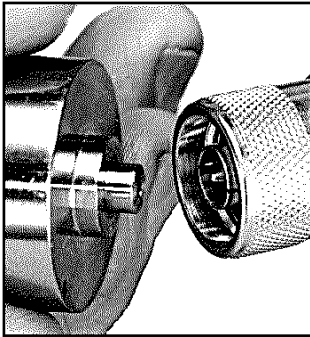
224361 Cut-off guide
for LDF4 cable

224362 Cut-off guide
for FSJ4 cable

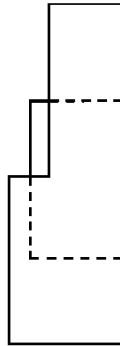
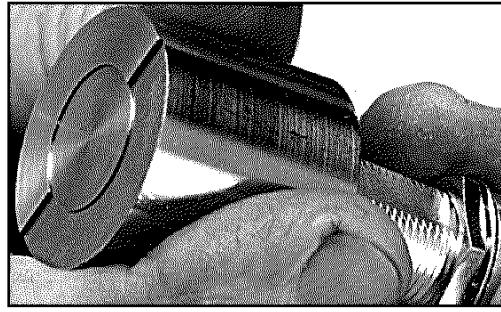
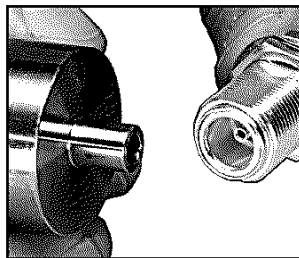




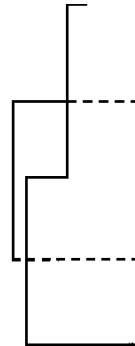
224380 pin depth gauge for N-male connector



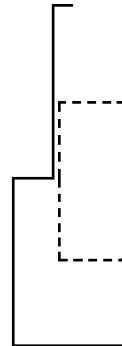
224395 pin depth gauge for N-female connector



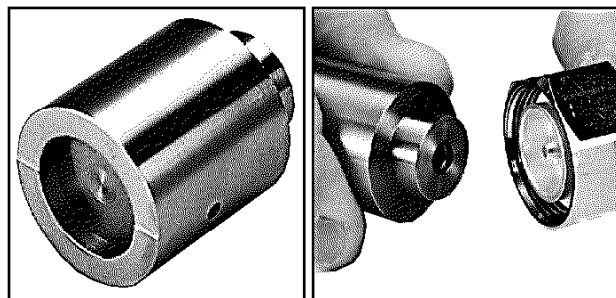
Correct pin depth - plunger is within surface limits



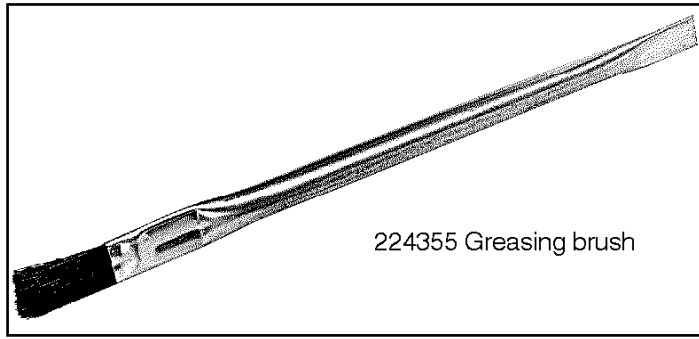
Too much pin depth - shorten inner conductor



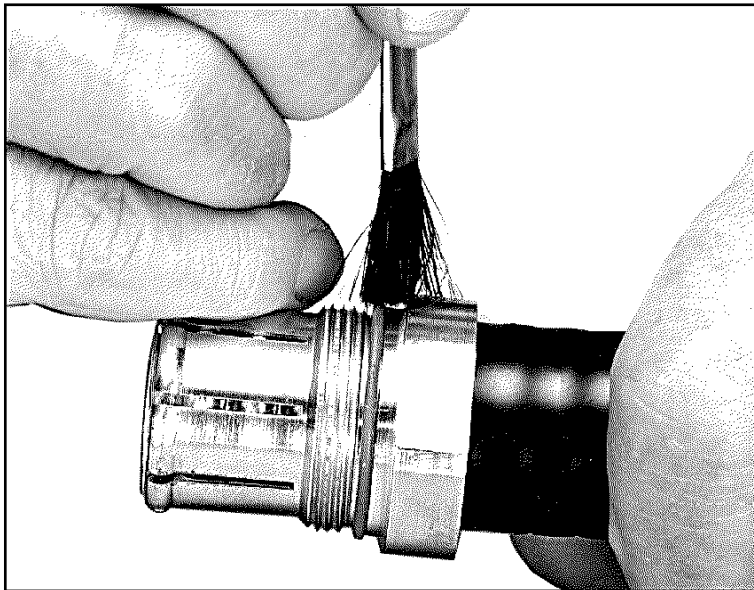
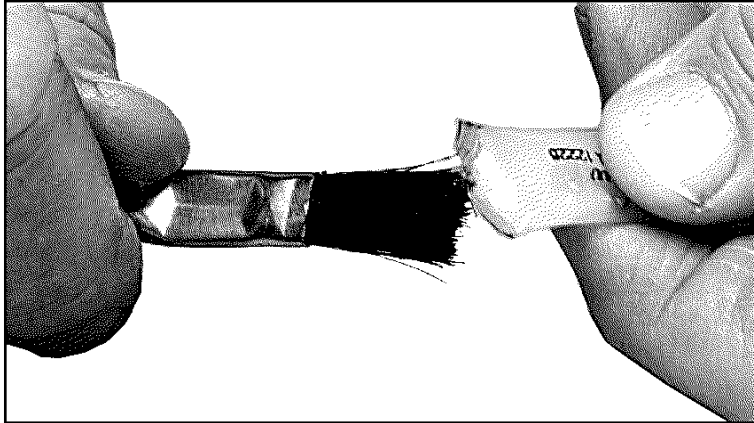
Not enough pin depth - position pin closer to connector end

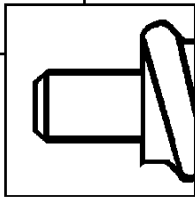
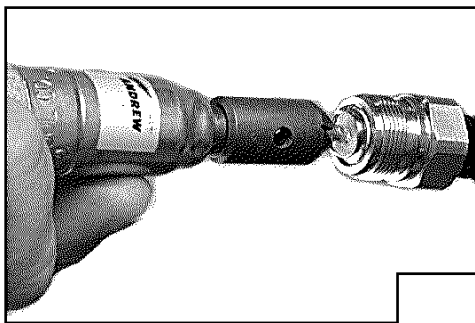
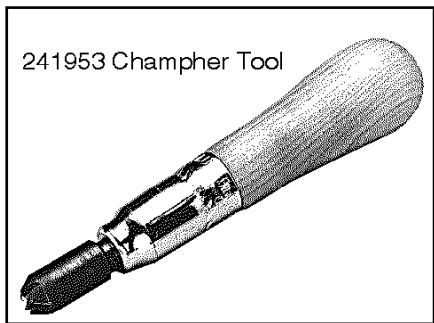
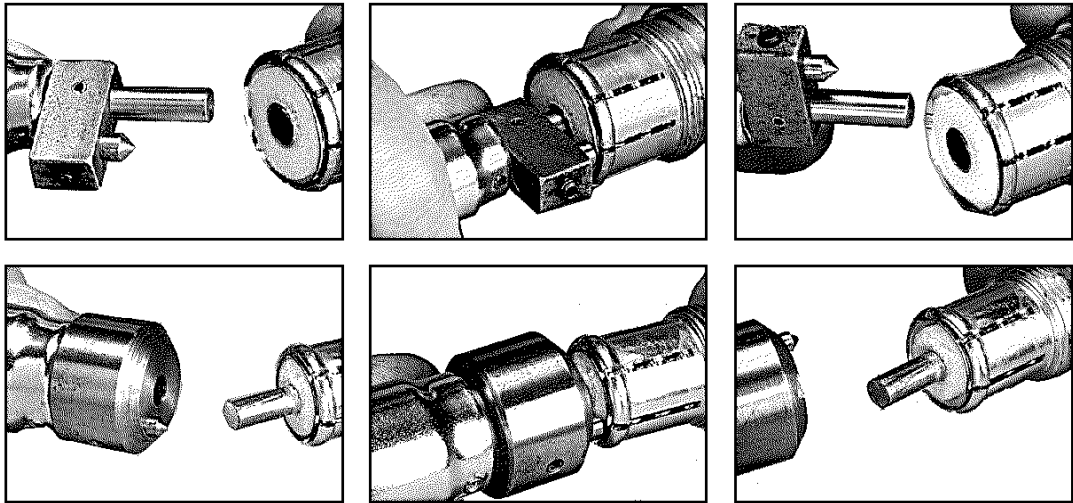
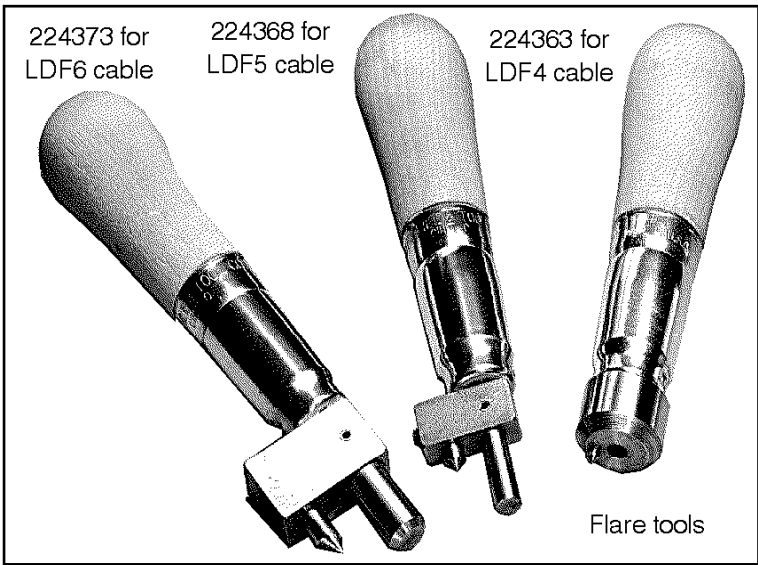


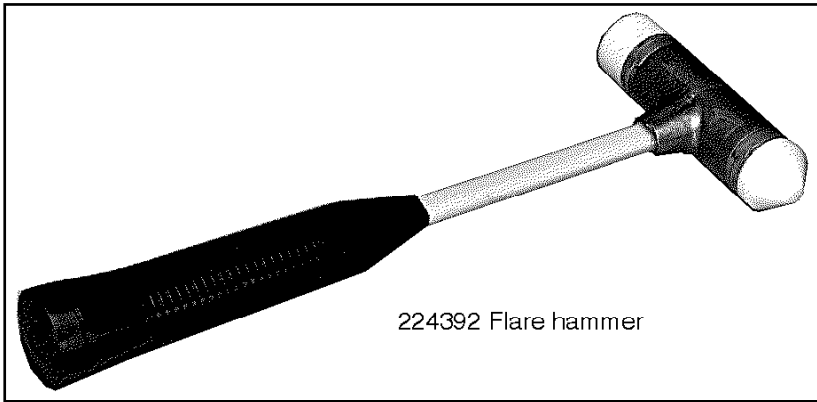
114468 male (shown) and 114469 female pin depth gauges for DIN-connectors



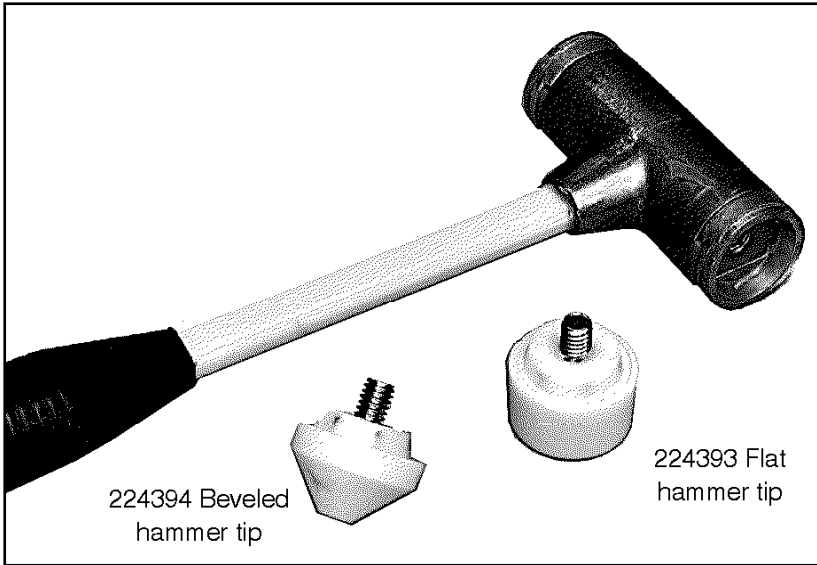
224355 Greasing brush





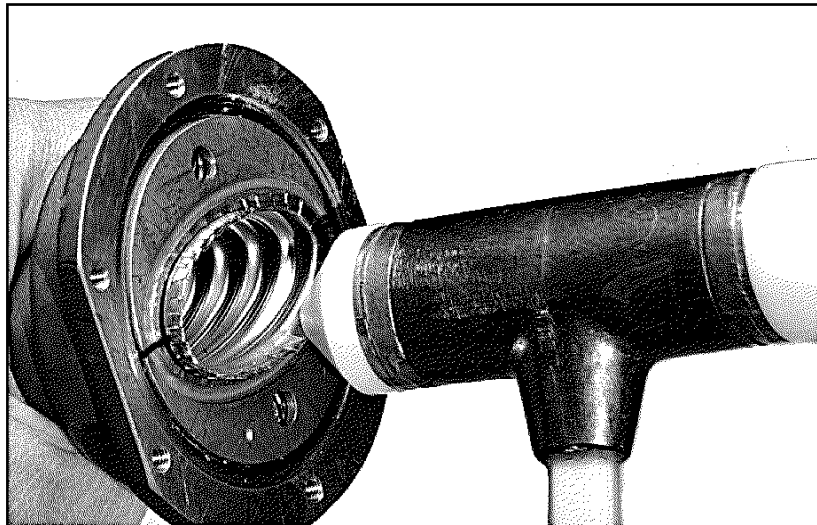


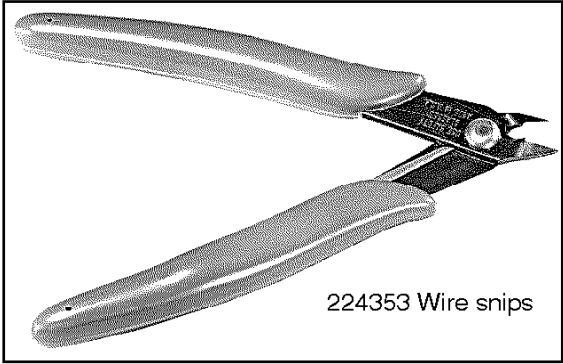
224392 Flare hammer



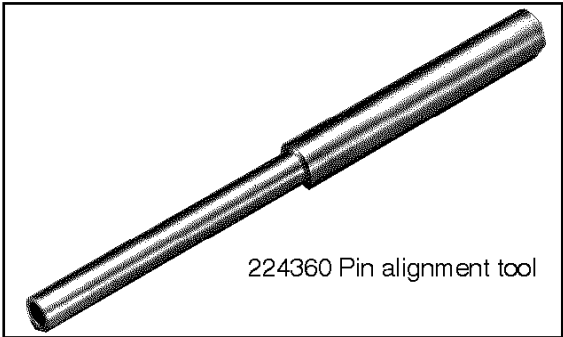
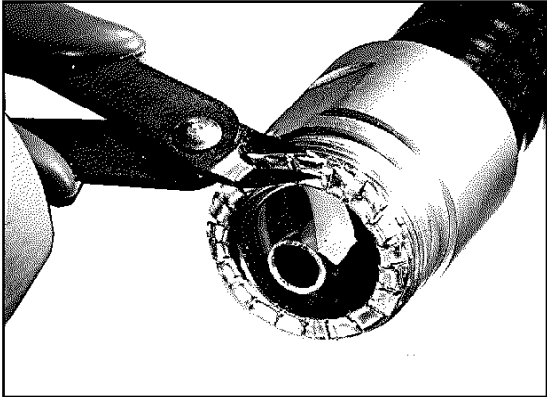
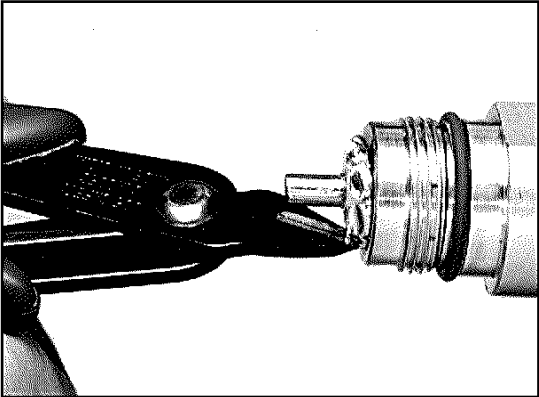
224394 Beveled
hammer tip

224393 Flat
hammer tip

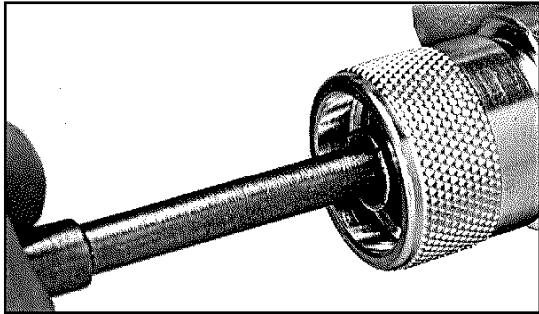
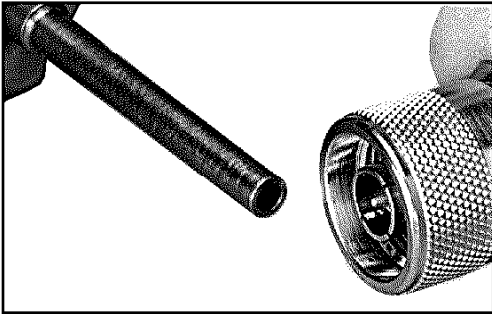


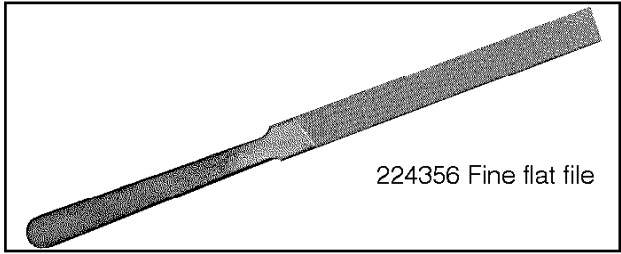


224353 Wire snips

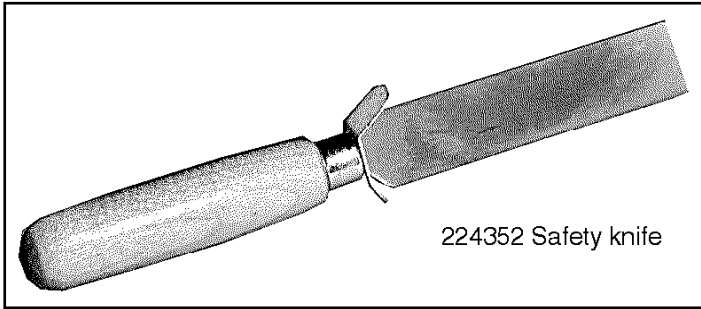
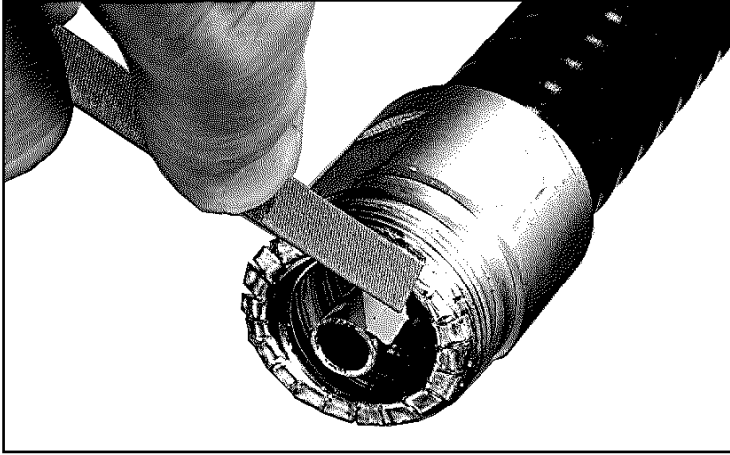


224360 Pin alignment tool

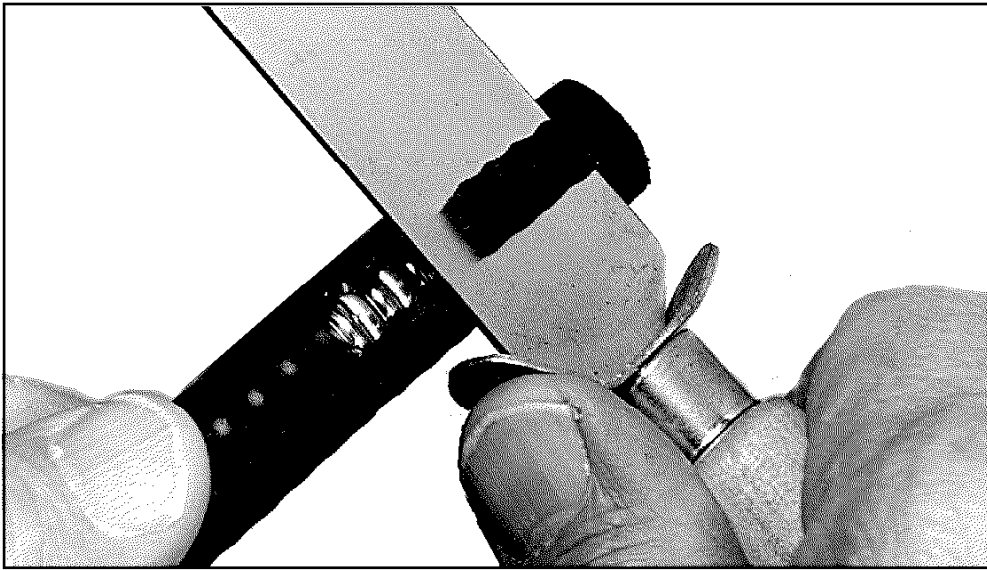


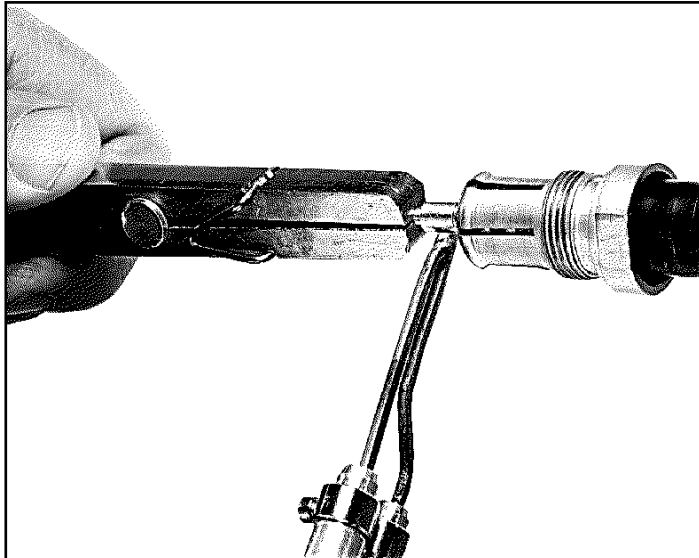
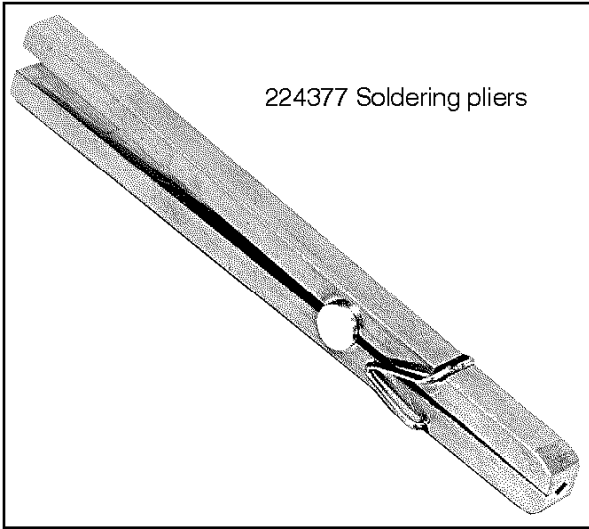


224356 Fine flat file



224352 Safety knife





Andrew Corporation
10500 West 153rd Street
Orland Park, IL U.S.A. 60462

Telephone: 708-349-3300
FAX (U.S.A.): 1-800/349-5444
Internet: <http://www.andrew.com>

Customer Service, 24 hours: U.S.A. • Canada • Mexico: 1-800/255-1479
U.K.: 0800 250055 • Republic of Ireland: 1 800 535358 Printed in U.S.A. 4/97
Other Europe: +44 1592 782612 Copyright © 1997 by Andrew Corporation