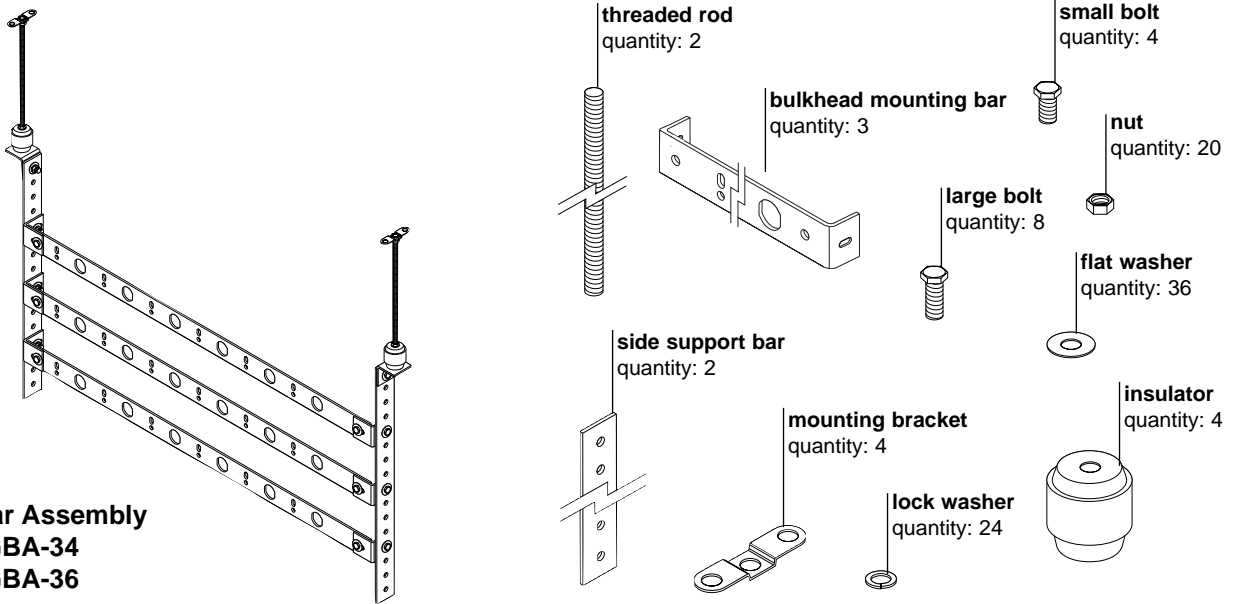


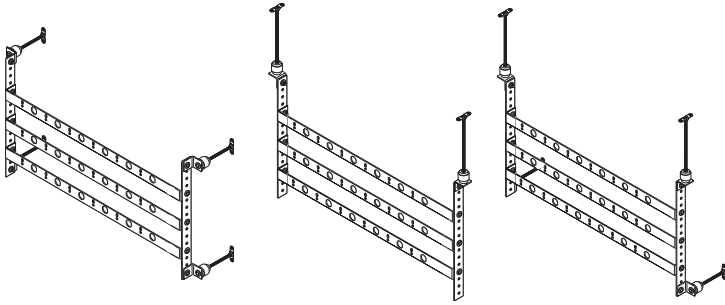
# Universal Grounding Bar Assembly



**Grounding Bar Assembly  
Type UGBA-34  
Type UGBA-36**



1. Determine which mounting option to use.



2. Determine where to mount the Universal Grounding Bar Assembly. Select a location that:

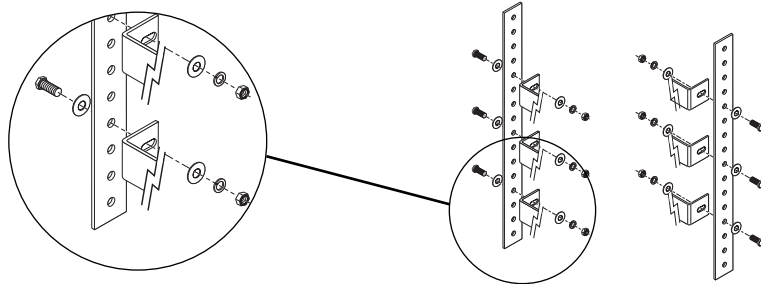
- Provides a good weight bearing surface
- Allows you to center the bulkhead openings on the Entry Port openings

3. Prepare the assembly area:

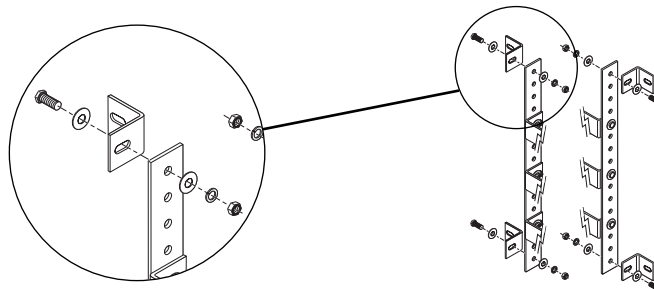
- Place the components on a large flat surface
- Sort the Universal Grounding Bar hardware

4. Attach the top and bottom bulkhead mounting bars to the side support bars.

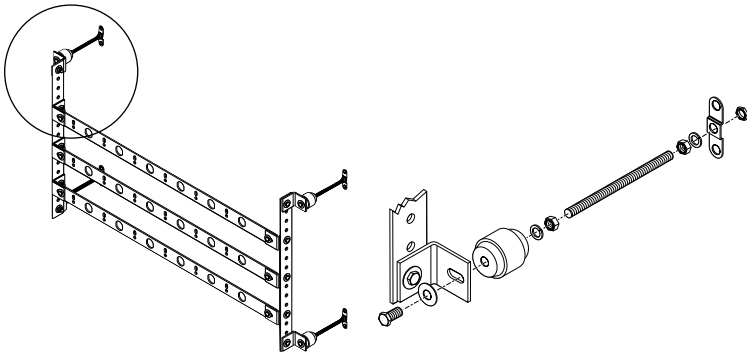
Attach the middle bulkhead mounting bar to the side support bar



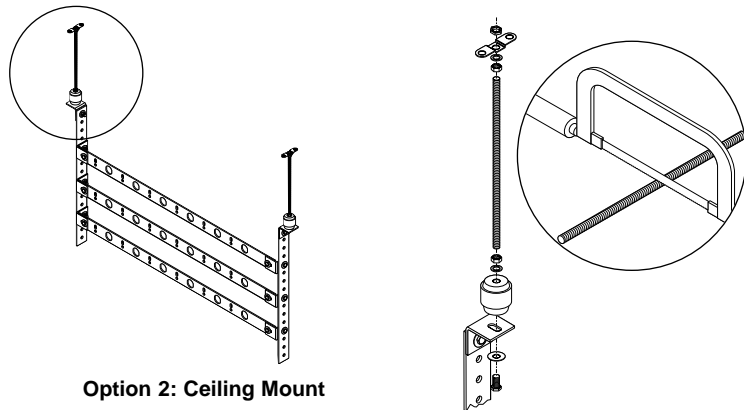
5. Attach the right angle brackets to the corners of each side support bar.



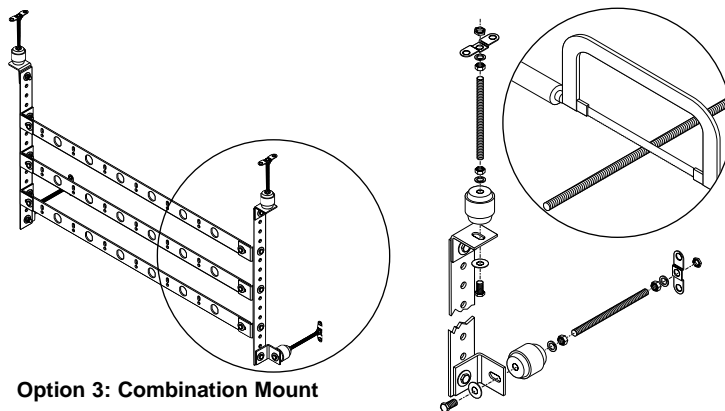
6. Attach the threaded rod, insulators, and mounting brackets as shown below for the mounting option you selected.



Option 1: Wall Mount



Option 2: Ceiling Mount



Option 3: Combination Mount

7. Attach the assembled unit to the selected location using lag bolts (not provided).

8. Connect the unit to the system ground. Cadweld or use ground wire with lugs.

9. Use a wrench to tighten all connections.

Notice: Andrew disclaims any liability or responsibility for the results of improper or unsafe installation, inspection, maintenance, or removal practices.

Aviso: Andrews no acepta ninguna obligación ni responsabilidad como resultado de prácticas incorrectas o peligrosas de instalación, inspección, mantenimiento o retiro.

Avis: Andrew décline toute responsabilité pour les conséquences de procédures d'installation, d'inspection, d'entretien ou de retrait incorrectes ou dangereuses.

Hinweis: Andrew lehnt jede Haftung oder Verantwortung für Schäden ab, die aufgrund unsachgemäßer Installation, Überprüfung, Wartung oder Demontage auftreten.

Avviso: Andrew declina qualsiasi responsabilità per eventuali conseguenze derivanti da procedure d'installazione, ispezione, manutenzione o rimozione improprie o eseguite in condizione di sicurezza carenti.

Atenção: A Andrew abdica do direito de toda responsabilidade pelos resultados de práticas inadequadas e sem segurança de instalação, inspeção, manutenção ou remoção.

注意: Andrew 公司申明對於不恰當或不安全的安裝、檢驗、維修或拆卸操作所導致的後果不負責任 何義務和責任



Andrew Corporation  
10500 West 153rd Street  
Orland Park, IL U.S.A. 60462

Telephone: 708-349-3300  
FAX (U.S.A.): 1-800-349-5444  
Internet: <http://www.andrew.com>

Customer Service, 24 hours: U.S.A. • Canada • Mexico: 1-800-255-1479  
U.K.: 0800 250055  
Other Europe: +44 1592 782612

Printed in U.S.A. 12/05

Copyright © 2005 by Andrew Corporation