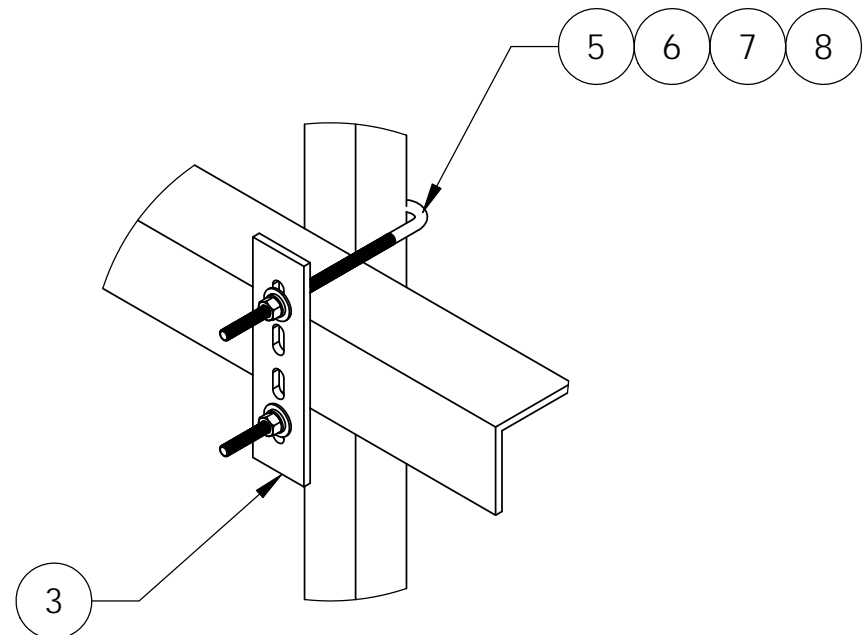
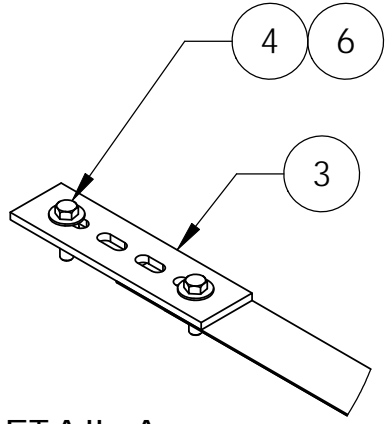


| ITEM | PART NO. | DESCRIPTION | QTY. | WEIGHT |
|------|----------|-----------------------------|------|-----------|
| 1 | CL10.01 | 10' ANGLE SIDE RAIL | 2 | 16.37 LBS |
| 2 | CL12R.01 | 38" LADDER RUNG | 3 | 3.28 LBS |
| 3 | HKCLU.02 | BACKING PLATE | 4 | 0.95 LBS |
| 4 | GB-03145 | 3/8" X 1-1/2" GALV BOLT KIT | 10 | 0.07 LBS |
| 5 | GJB0380 | 8" GALV J-BOLT KIT | 4 | 0.23 LBS |
| 6 | GWF-03 | 3/8" GALV FLAT WASHER | 8 | 0.01 LBS |
| 7 | GWL-03 | 3/8" GALV LOCK WASHER | 4 | 0.00 LBS |
| 8 | GN-03 | 3/8" GALV HEX NUT | 4 | 0.01 LBS |

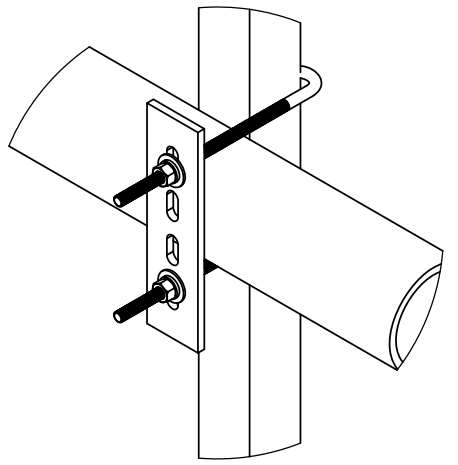
| REVISIONS | | | | |
|-----------|------|---|-----|----------|
| REV. | ZONE | DESCRIPTION | BY | DATE |
| A | | INITIAL RELEASE | ACG | 02/25/04 |
| B | | REMOVE UNIVERSAL J-CLIP | ACG | 01/14/05 |
| C | | CHANGE QTY OF HKCLU TO 1 | ACG | 08/23/05 |
| D | | UPDATED QTY OF BACKING PLATES AND J-BOLTS | AW | 11/02/05 |
| E | | REPLACE J-BOLT FROM JB-HK | ACG | 12/12/08 |
| F | | UPDATED BOM AND BALLOON NUMBERS | DRR | 08/07/12 |
| G | | UPDATE BOM | MSM | 05/15/13 |



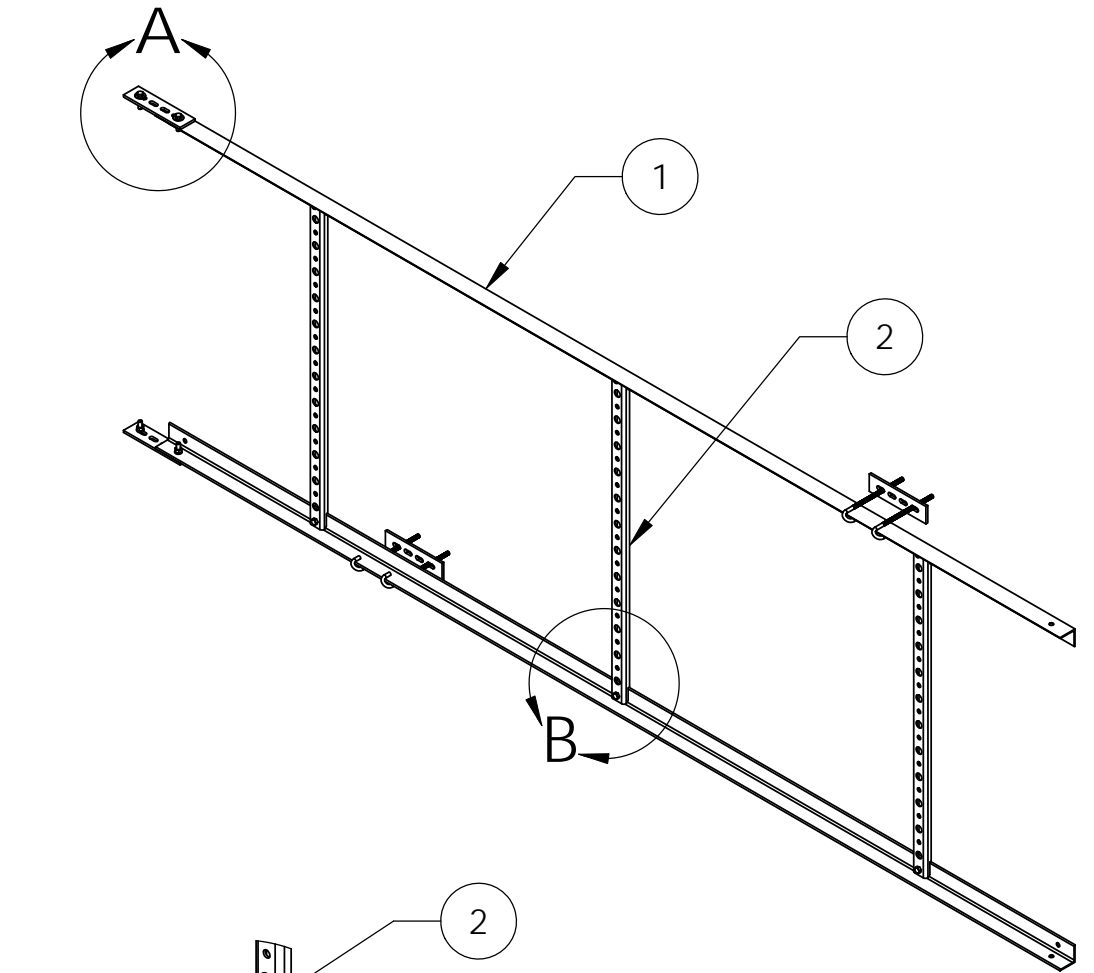
ANGLE MEMBER




DETAIL A



ROUND MEMBER



DETAIL B

| | | | |
|--|--------------------------|----------------------|--|
| <small>These drawings and specifications are the proprietary property of ANDREW CORPORATION and may be used only for the specific purpose authorized in writing by Andrew Corporation.</small> ALL DIMENSIONS ARE IN INCHES U.O.S. TOLERANCES UNLESS OTHERWISE SPECIFIED: .X = .06 ANGLES 2' .XX = .03 FRACTIONS 1/32 .XXX = .010 REMOVE BURRS AND BREAK EDGES .005 DO NOT SCALE THIS PRINT | DRAWN BY: ACG | SHEET: 1 of 1 | PART NUMBER: CL-1210-U |
| | CHECKED BY: TP | SCALE: NTS | DESCRIPTION: 10' CABLE LADDER - 12 HOLE RUNGS |
| | DATE: 02/25/04 | MATERIAL: A36 | DRAWING TYPE: ASSEMBLY DRAWING |
| | REVISION: G | FINISH: GALV A123 |  ORLAND PARK, IL. 60462 U.S.A. |
| | WEIGHT: 48.39 LBS | | |