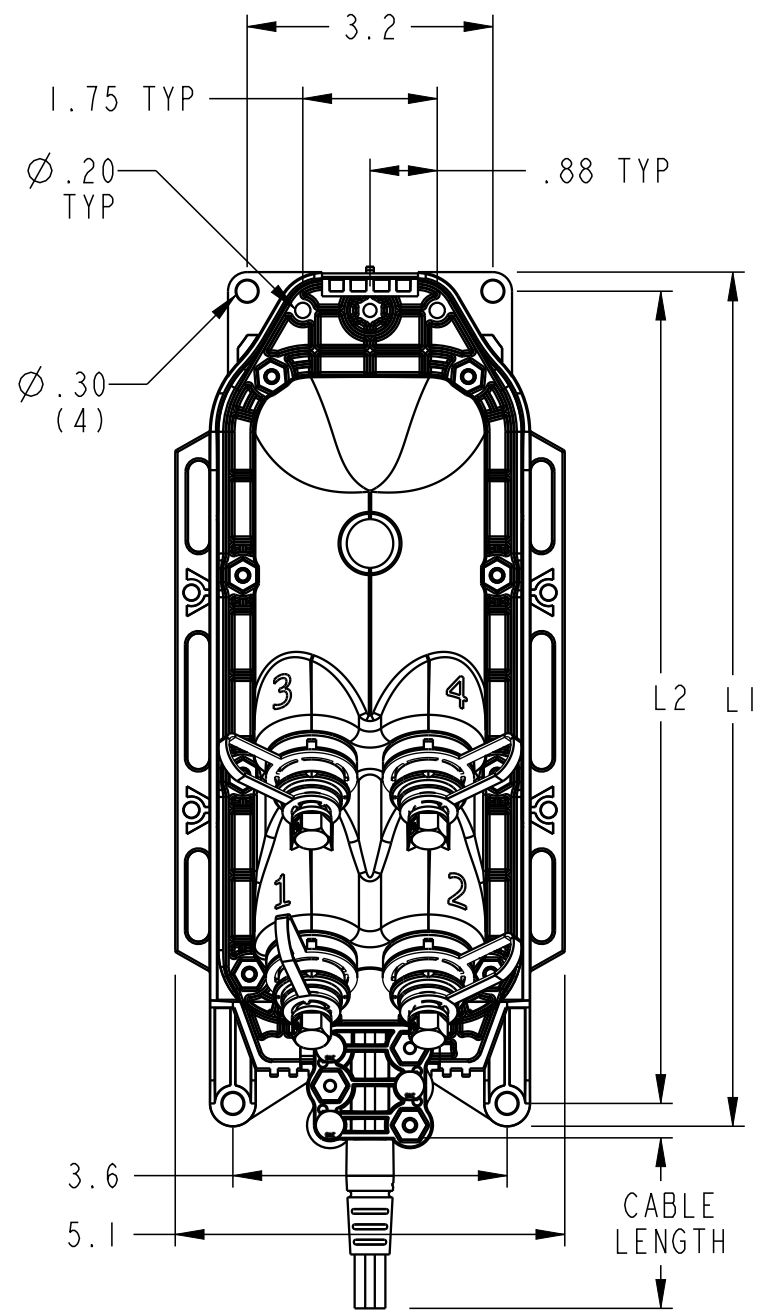
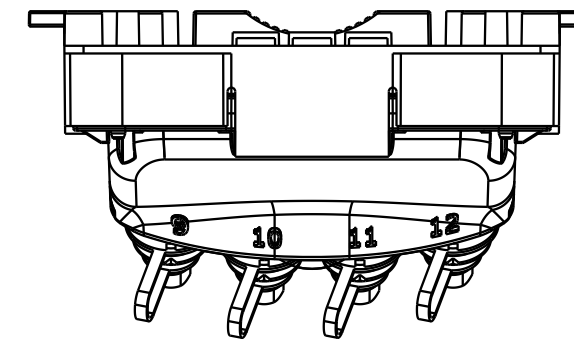
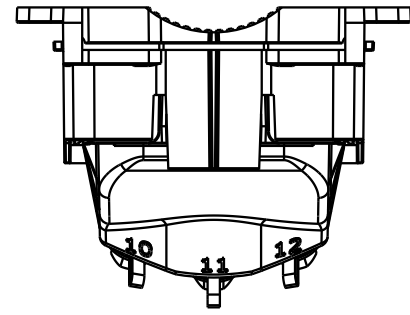
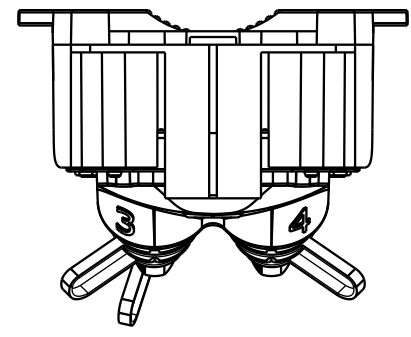
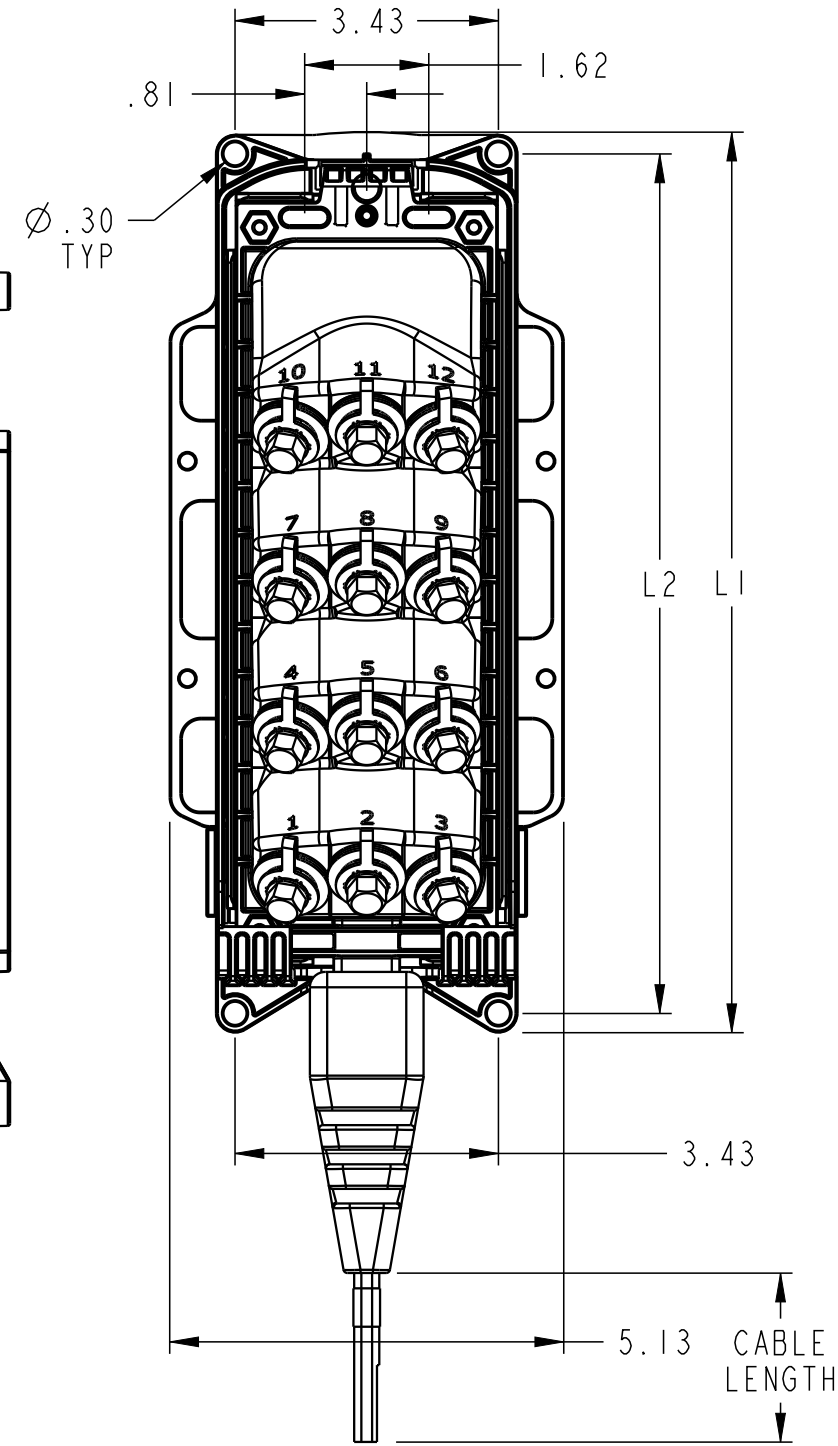


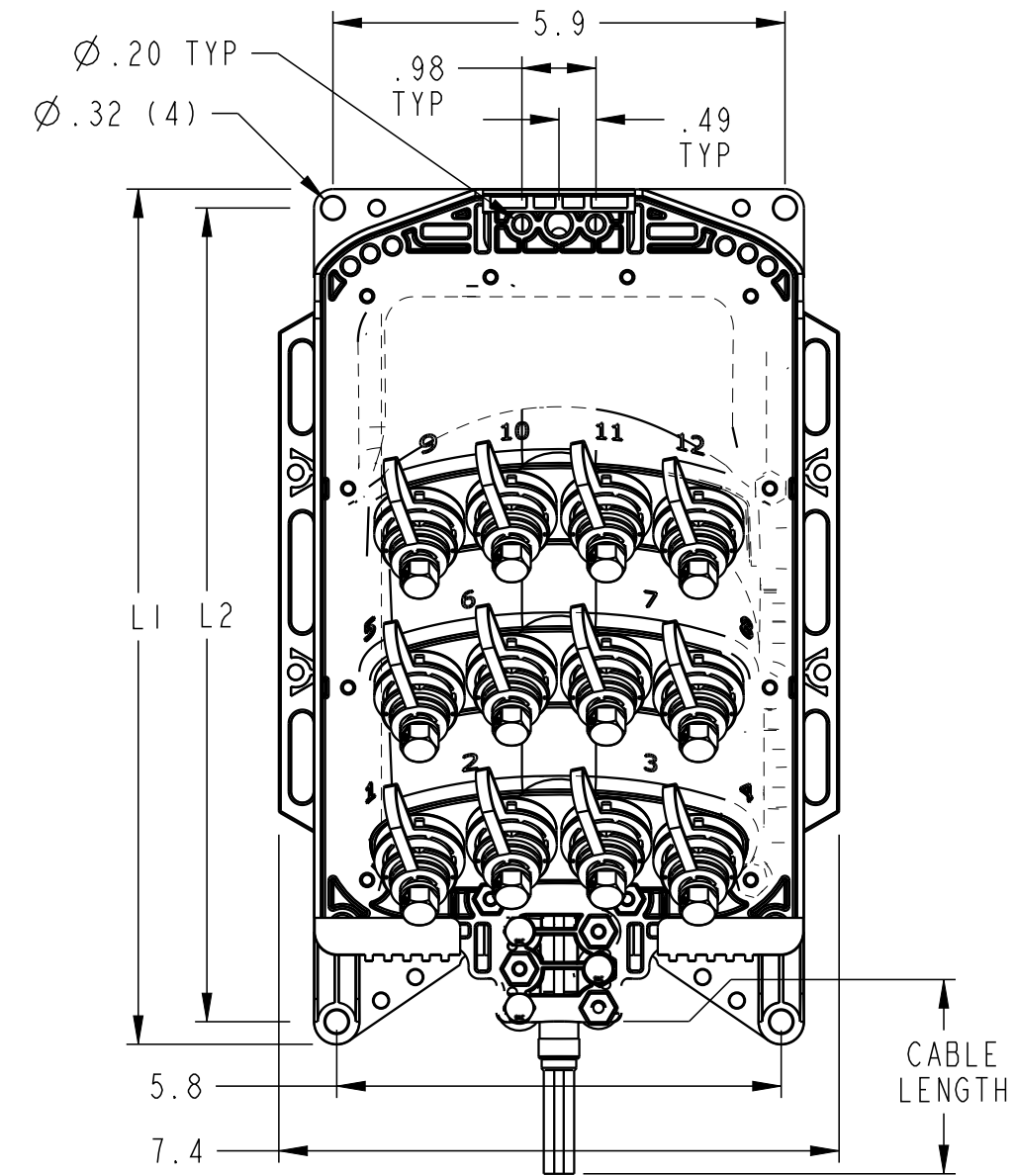
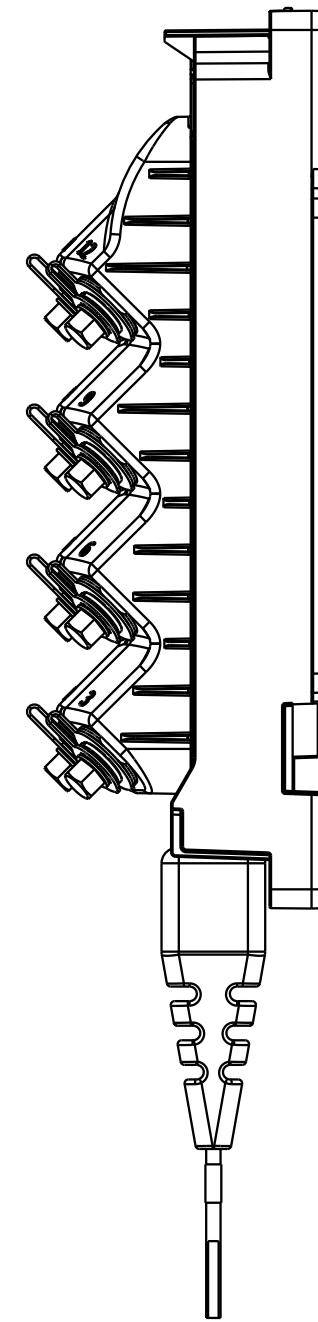
REV	MCO	DWN	DATE
M	40014263MCO	PRR	18-JUN-14
N	40032778MCO	OAVL	09-AUG-16



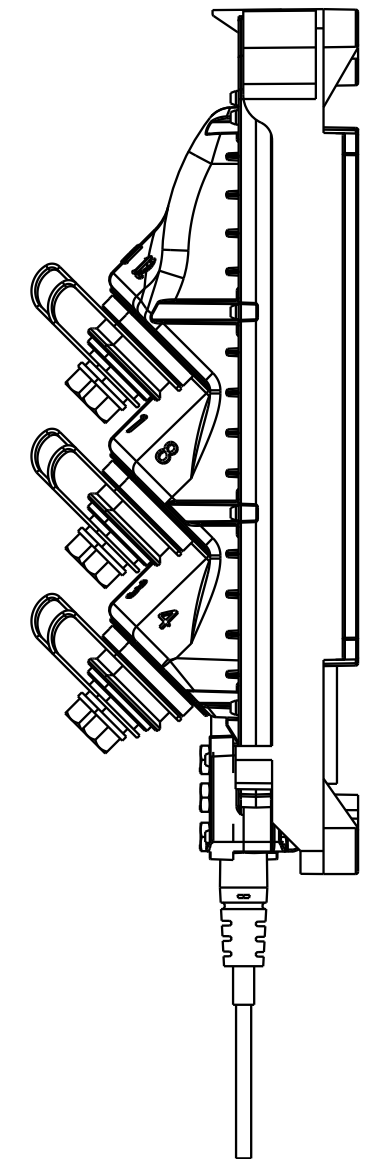
2/4 PORT



DLX-MINI



4X3



PORTS QTY.	L1	L2
12 PORT	21.53	20.97
6/8 PORT	16.32	15.77
2/4 PORT	11.12	10.57
4 X3 SERIES	11.26	10.71
DLX-MST NO STUB MINI MST MINI MST INDEX TERMINAL	11.73	11.19

© 2016 COMMSCOPE, INC. CONFIDENTIAL
NOTICE: THESE DRAWINGS AND SPECIFICATIONS
ARE THE PROPRIETARY PROPERTY OF
COMMSCOPE, INC. AND MAY BE USED ONLY FOR THE
SPECIFIC PURPOSE AUTHORIZED IN WRITING BY
COMMSCOPE, INC.

TITLE
INSTALL DWG, 2/4
6/8, 12 PORT MST

COMMSCOPE, INC.

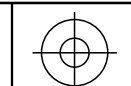
ALL DIMS AND TOLERANCES .XX:±N/A
ARE INCHES UNLESS .XXX:±N/A
OTHERWISE SPECIFIED ANGULAR:±N/A

C SIZE DRAWING NUMBER
1317840_ADC N REV

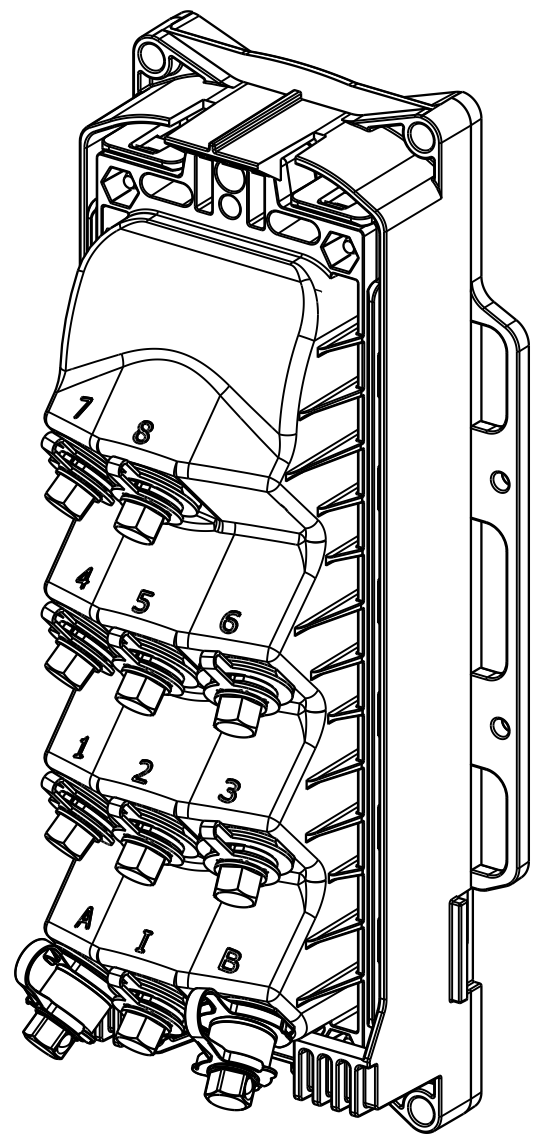
DO NOT SCALE DRAWING

ENGR: ERIK GRONVALL
DWN: DAN MERTESDORF

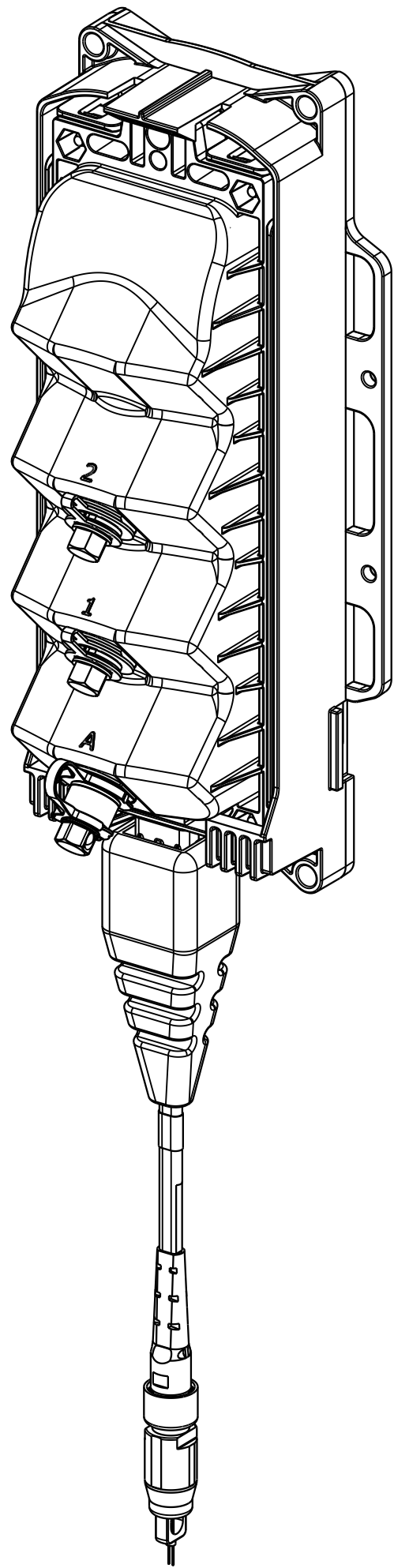
SHT. 1 OF 3



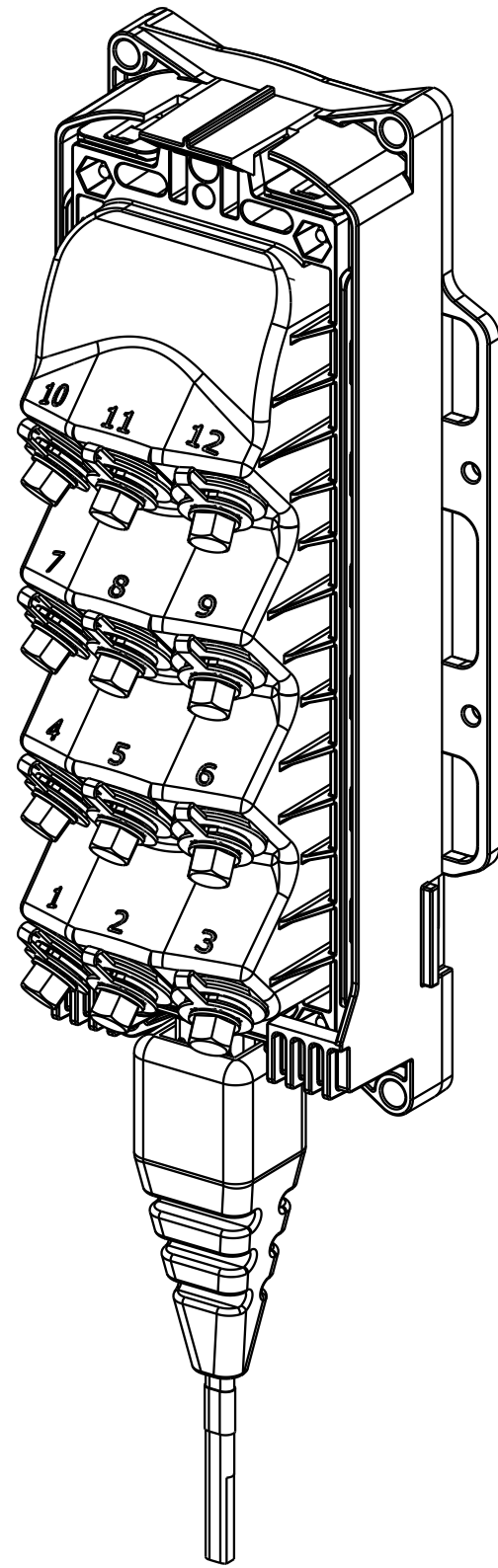
DIMENSIONS IN INCHES
THIRD ANGLE PROJECTION



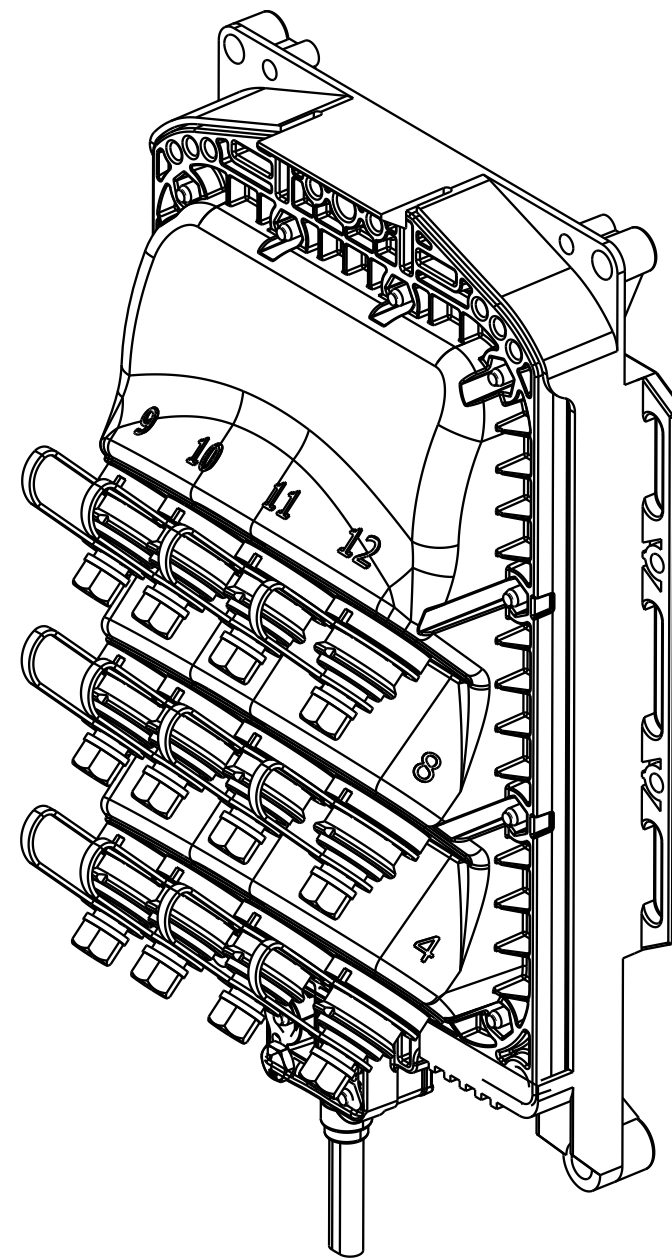
NO STUB
MINI MST



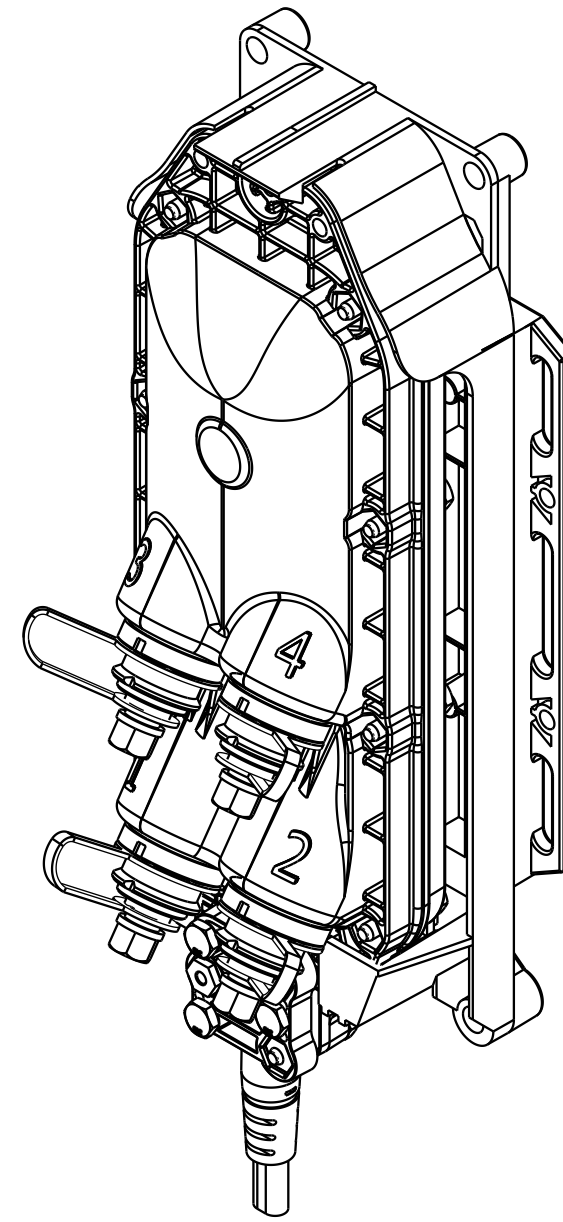
MINI MST
INDEX TERMINAL



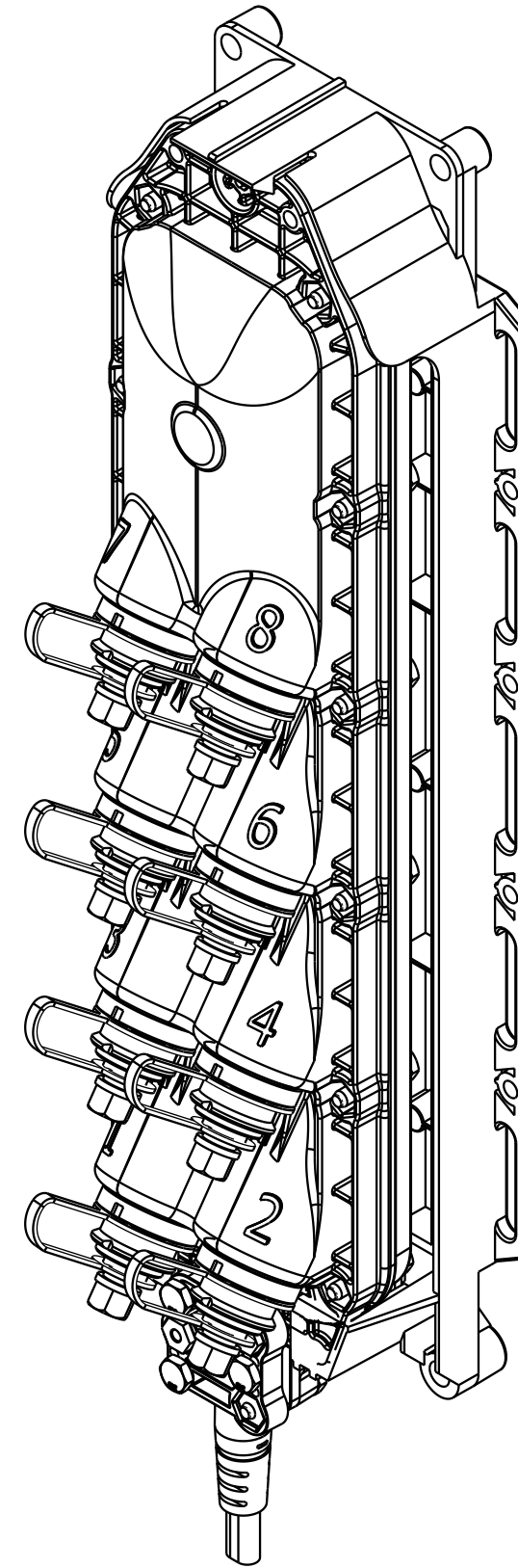
DLX-MINI



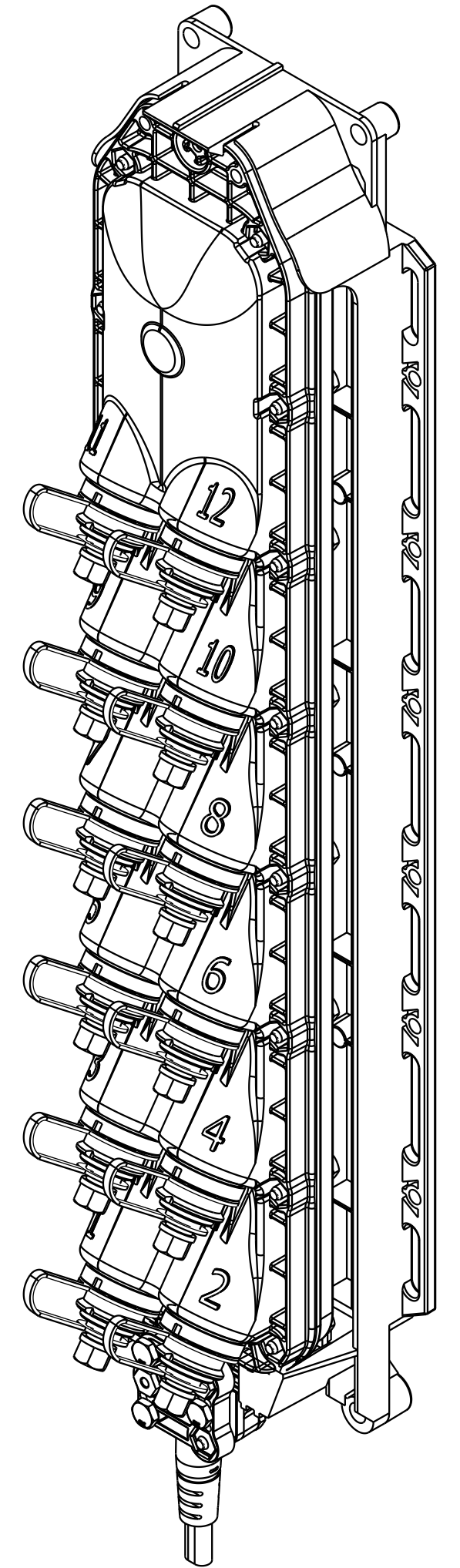
4X3



2/4 PORT



6/8 PORT



12 PORT

COMMSCOPE, INC.

© 2016 COMMSCOPE, INC. CONFIDENTIAL
NOTICE: THESE DRAWINGS AND SPECIFICATIONS
ARE THE PROPRIETARY PROPERTY OF
COMMSCOPE, INC. AND MAY BE USED ONLY FOR THE
SPECIFIC PURPOSE AUTHORIZED IN WRITING BY
COMMSCOPE, INC.

ALL DIMS AND TOLERANCES .XX:±N/A
ARE INCHES UNLESS .XXX:±N/A
OTHERWISE SPECIFIED ANGULAR:±N/A

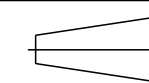
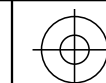
DO NOT SCALE DRAWING

ENGR: ERIK GRONVALL
DWN: DAN MERTESDORF

TITLE
INSTALL DWG, 2/4
6/8, 12 PORT MST

DRAWING NUMBER
1317840_ADC

SHT. 2 OF 3



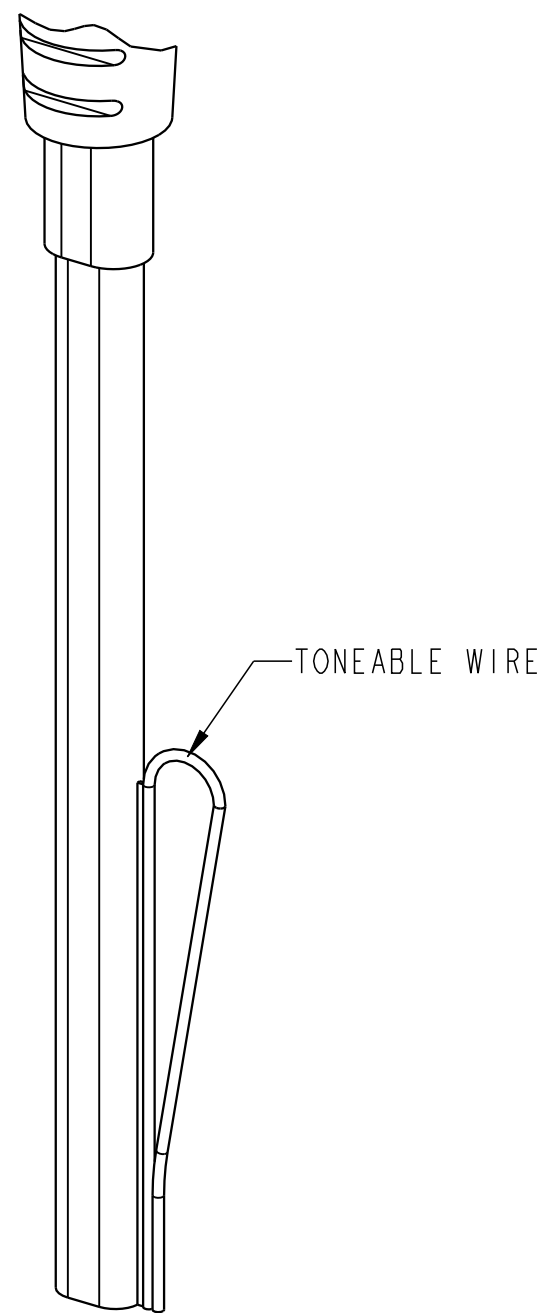
DIMENSIONS IN INCHES
THIRD ANGLE PROJECTION

A

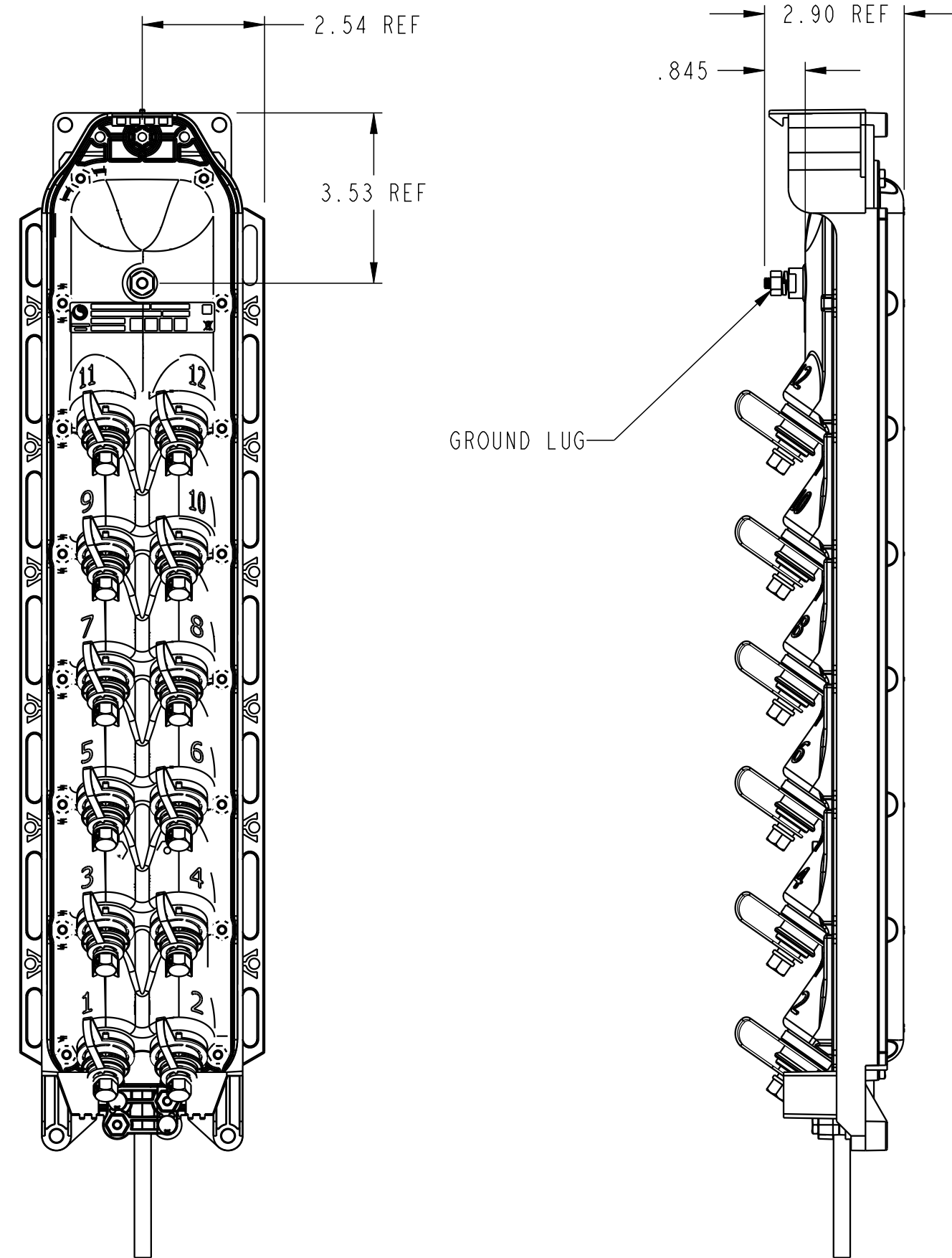
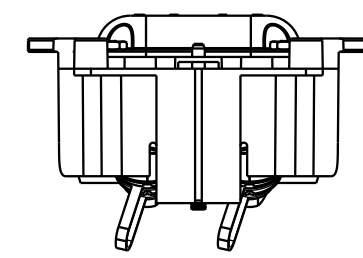
B

C

D



MST-____O-B_____



MST-__M__O-C_____

COMMSCOPE, INC.

© 2016 COMMSCOPE, INC. CONFIDENTIAL
 NOTICE: THESE DRAWINGS AND SPECIFICATIONS
 ARE THE PROPRIETARY PROPERTY OF
 COMMSCOPE, INC. AND MAY BE USED ONLY FOR THE
 SPECIFIC PURPOSE AUTHORIZED IN WRITING BY
 COMMSCOPE, INC.

TITLE
 INSTALL DWG, 2/4
 6/8, 12 PORT MST

ALL DIMS AND TOLERANCES .XX:±N/A
 ARE INCHES UNLESS .XXX:±N/A
 OTHERWISE SPECIFIED ANGULAR:±N/A

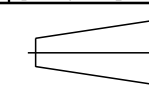
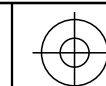
C
 SIZE
 DRAWING NUMBER
 1317840_ADC

N
 REV

DO NOT SCALE DRAWING

ENGR: ERIK GRONVALL
 DWN: DAN MERTESDORF

SHT. 3 OF 3



DIMENSIONS IN INCHES
THIRD ANGLE PROJECTION

A

B

C