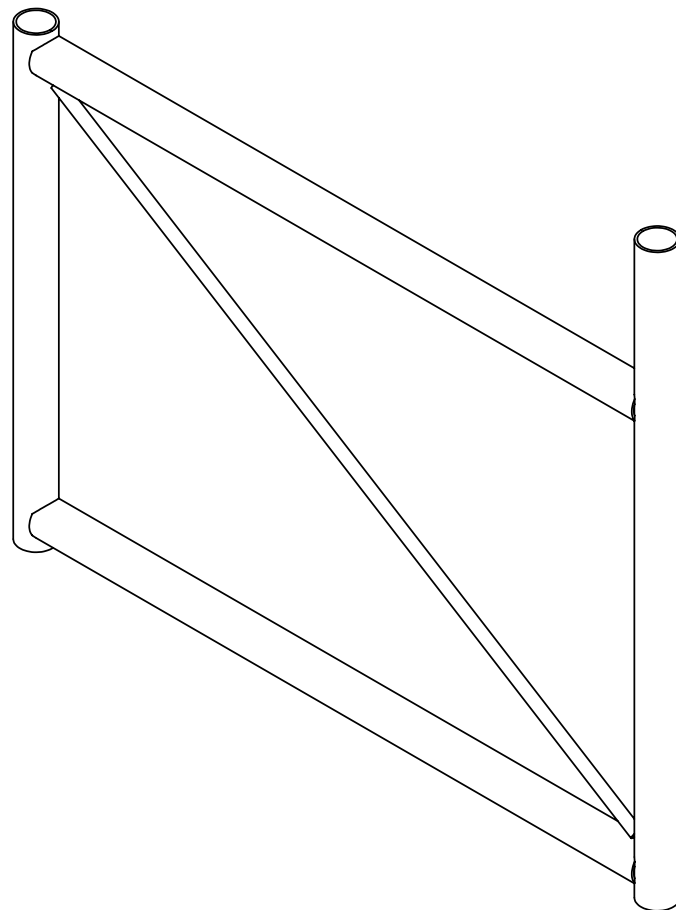
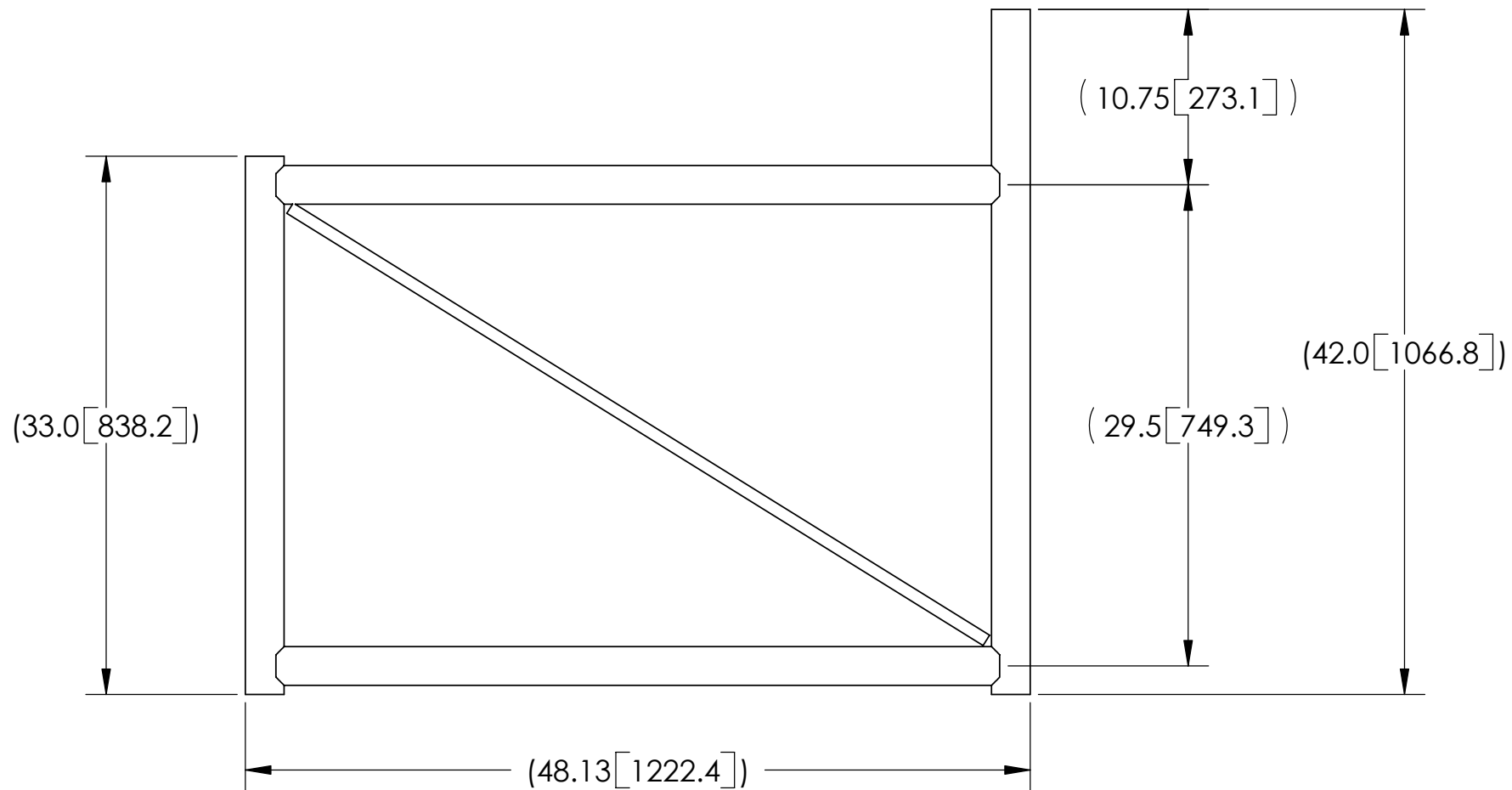


REVISIONS				
REV.	ZONE	DESCRIPTION	BY	DATE
A		INITIAL RELEASE	MLL	01/03/00
B		REVISED & REDRAWN	JTS	03/12/01
C		UPDATE DESIGN	ACG	04/02/03
D		REMOVED TABS	ACG	08/15/06
E		SAVED AS ASSEMBLY DRAWING	ACG	10/13/06



NOTES:

1. ALL METRIC DIMENSIONS ARE IN BRACKETS.
2. STAMP PART IDENTIFICATION NUMBER.

<small>These drawings and specifications are the proprietary property of ANDREW CORPORATION and may be used only for the specific purpose authorized in writing by Andrew Corporation.</small> ALL DIMENSIONS ARE IN INCHES U.O.S. TOLERANCES UNLESS OTHERWISE SPECIFIED: .X = ± .06 ANGLES ±2' .XX = ± .03 FRACTIONS ±1/32 .XXX = ± .010 REMOVE BURRS AND BREAK EDGES .005 DO NOT SCALE THIS PRINT	DRAWN BY: ACG	SHEET: 1 of 1	PART NUMBER: HS-400 ASSY
	CHECKED BY: TP	SCALE: NTS	DESCRIPTION: 48" HD STANDOFF BRACKET
	DATE: 08/15/06	MATERIAL: A36, A53	DRAWING TYPE: ASSEMBLY DRAWING
	REVISION: E	FINISH: GALV A123	WEIGHT: 55.77 LBS