

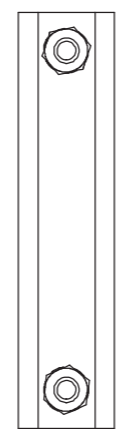
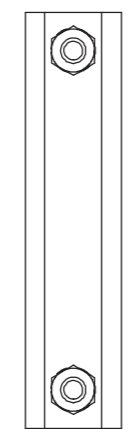
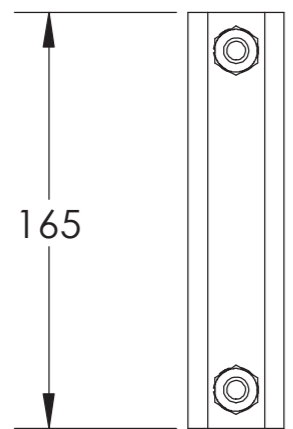
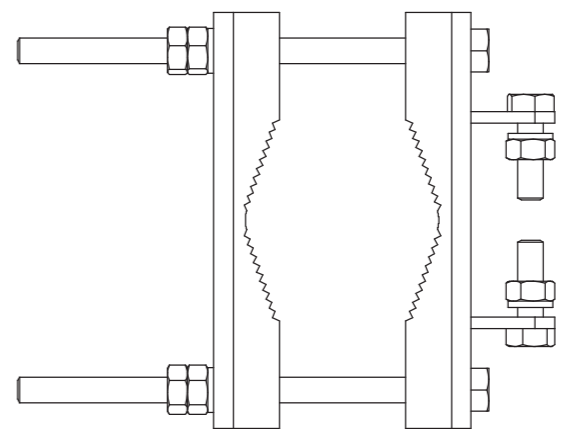
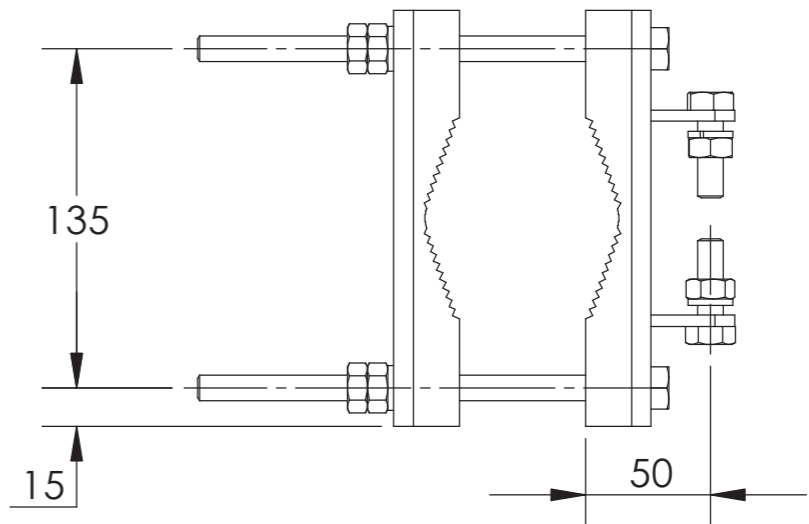
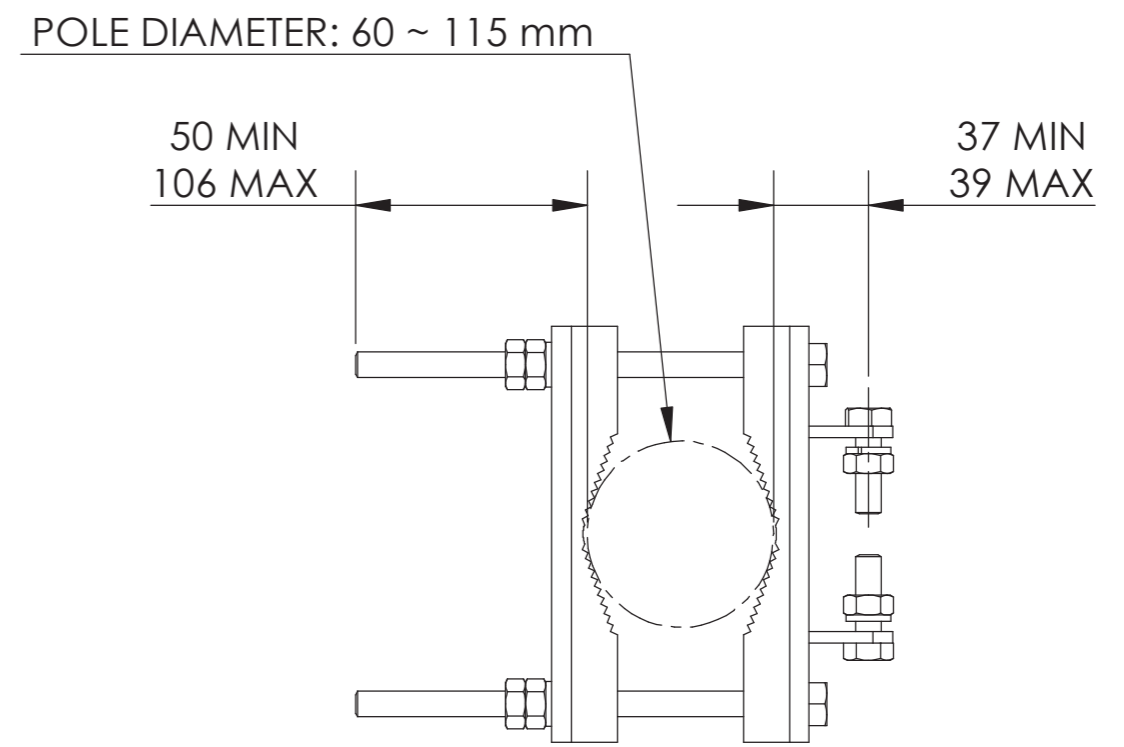
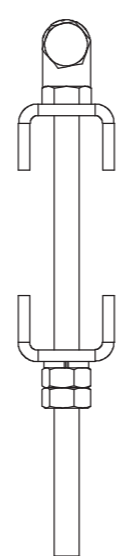
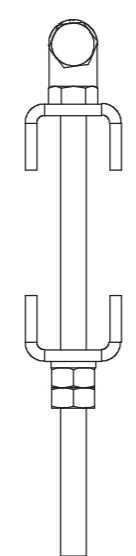
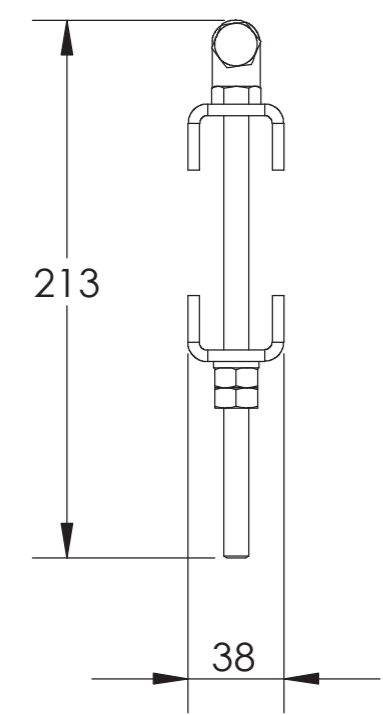
4

3

2

1

REVISIONS			
REV	DESCRIPTION	DATE	APPROVED
A	ECR 8000003574: REL TO PRODUCTION PER EAO 601665	23JUL14 JJH	MB XA
C	ECR 8000010306: ADD DIMENSIONS.	15OCT15RY	S.LIU/JIHE



DB390-3

MATERIAL N/A	DENSITY: N/A	UNLESS OTHERWISE SPECIFIED DIMENSIONS ARE IN MILLIMETERS INTERPRET PER ISO STANDARDS HANDBOOK TECHNICAL DRAWINGS VOLUMES 1 & 2, THIRD EDITION (2002)	WESTCHESTER, IL. 60154 U.S.A.						
	MASS: 6.45 kg		ANDREW®						
FINISH N/A	TOLERANCES		THIRD ANGLE PROJECTION						
	0 PLACE X ±								
	1 PLACE .X ±								
	2 PLACE .XX ±		DRAWN BY JJH 23JUL14						
ANGLES ±		ECN 8000010306-O		SIZE A2	CAGE CODE 84147	DOCUMENT NO. DB390-3-L			
ALL SURFACES ✓		AUTH. GROUP 23	MODEL	DRAWING		SHEET			
NOTICE: These drawings and specifications are the proprietary property of ANDREW CORPORATION and may be used only for the specific purpose authorized in writing by Andrew.			VERSION 01	STATUS RE	REVISION B	VERSION 03	STATUS RE	REVISION C	1 OF 1

4

3

2

1