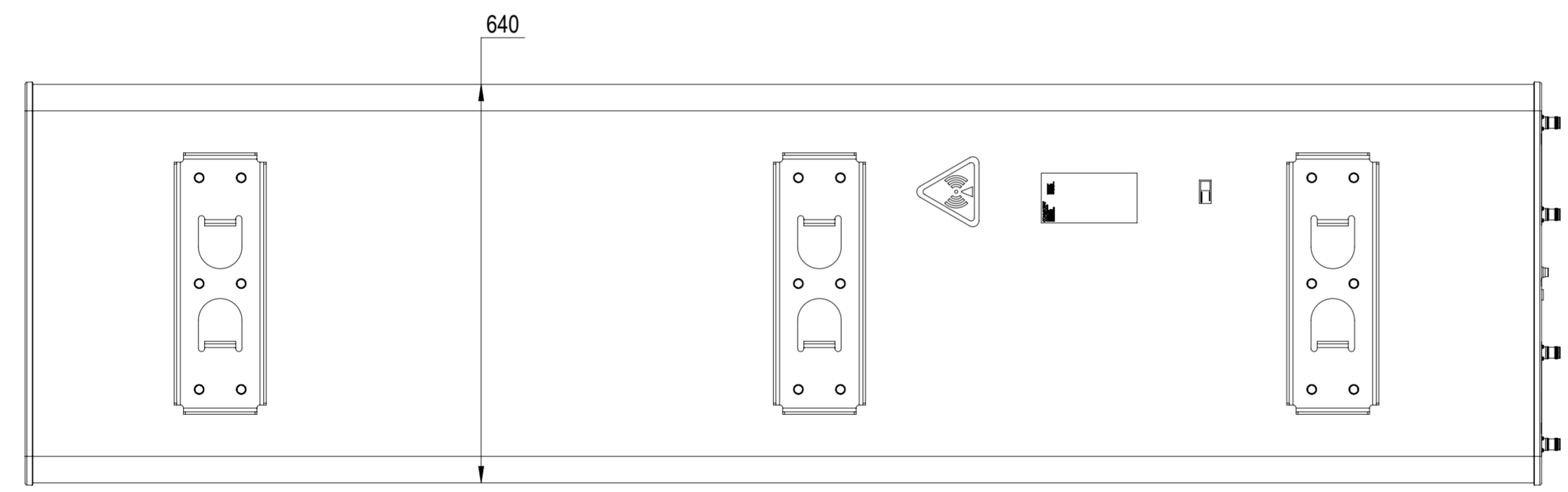
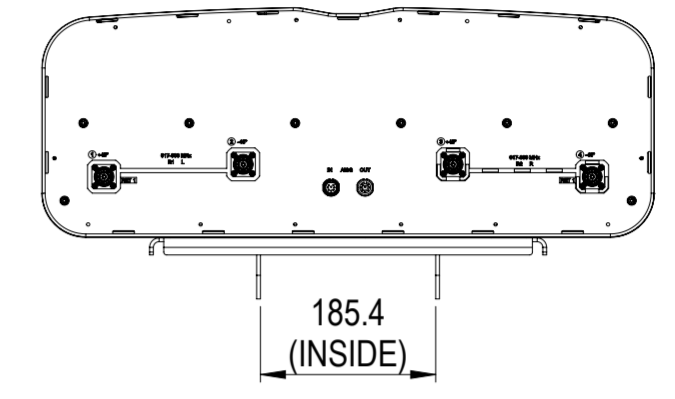
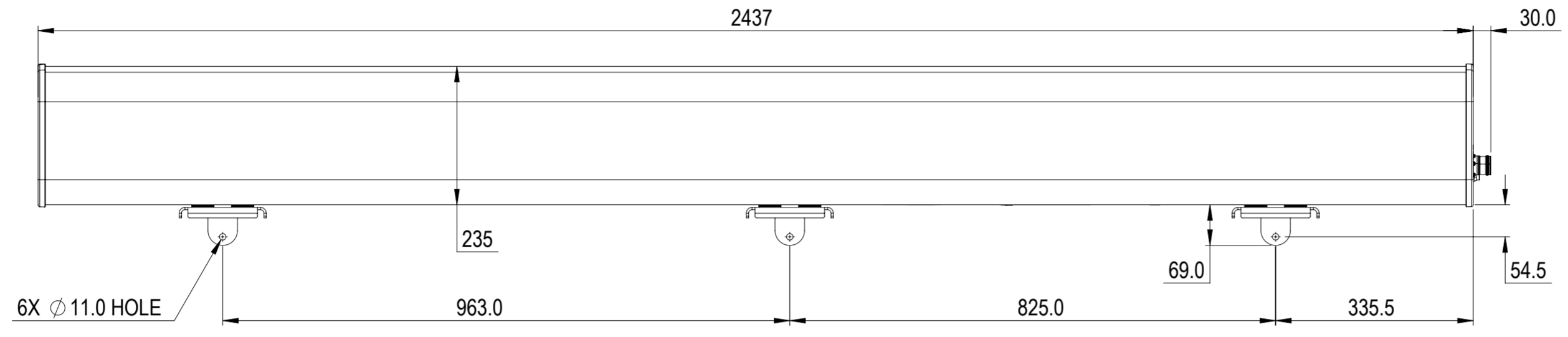


NOTES:

REVISIONS			
REV.	DESCRIPTION	DATE	APPROVED
A	ECR 8000023834: RELEASE TO PRODUCTION PER EAO 604166.	29AUG17 L.Z	KDI / LFS



FF-65C-R1

COMMSCOPE, INC. OF NORTH CAROLINA

TOLERANCES		SAP MATERIAL MASTER	
0 PLACE X ±	2 PLACE .XX ±		
1 PLACE .X ±	ANGLES ±		
FINISH		MATERIAL	
<small>UNLESS OTHERWISE SPECIFIED DIMENSIONS ARE IN MILLIMETERS INTERPRET PER ISO STANDARDS HANDBOOK TECHNICAL DRAWINGS VOLUMES 1 & 2, THIRD EDITION (2002)</small>		NAME	DATE
		CE LZ	01AUG17
		RW LZ1032	08/30/2017
		RV KDI	08/30/2017
		AD FL1025	08/31/2017
RE BYUAN	08/31/2017	SCALE: 1:8	
ECN 8000023834-O		DOCUMENT NO. FF-65C-R1-L	
DENSITY	g/mm ³	SIZE	WORK AREA 23
MASS	grams	MODEL	VERSION STATUS REVISION
VOLUME	mm ³	REVISION	VERSION STATUS REVISION
SURFACE AREA	mm ²	SCALE	REVISION
HEIGHT		00	RE A
LENGTH		00	RE A
WIDTH		00	RE A

SHEET 1 OF 1