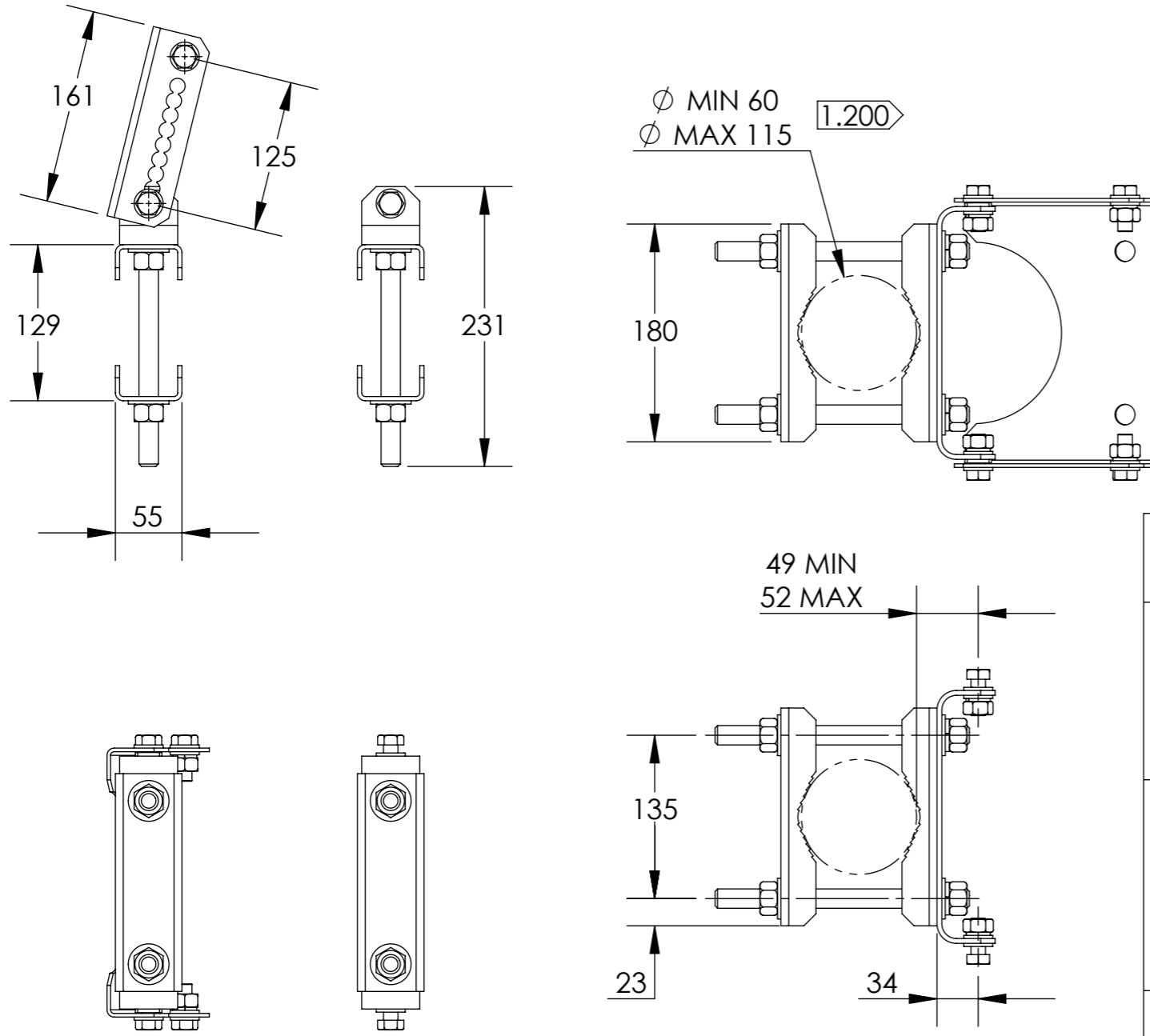


NOTES:

1.0 GENERAL NOTES

1.200 MIN. AND MAX. PIPE DIAMETERS ONLY REFER TO CAPABLE PIPE SIZE OF THE MOUNTING KIT.
 THE RECOMMENDED PIPE DIAMETER VARIES FOR DIFFERENT ANTENNA LENGTH AND IS PROVIDED IN ANTENNA INSTALLATION MANUAL.

REVISIONS			
REV.	DESCRIPTION	DATE	APPROVED
A	ECR 8000006784: REL TO PRODUCTION.	05FEB15 ZW	JO/XA
B	ECR 8000010306: ADD DIMENSIONS.	10OCT15 RY	S.LIU/JIHE
C	ECR 8000035097: CHG MIN PIPE SIZE FROM 50 mm TO 60 mm; ADD NOTE 1.200.	07MAY19 ZW	S.LIU/HANSEN.W



T-045-GL-E

COMMSCOPE, INC. OF NORTH CAROLINA

DENSITY:	<u>TOLERANCES</u>	SAP MATERIAL MASTER
MASS: 6.2 kg	0 PLACE X ±	
VOLUME:	1 PLACE .X ±	
SURFACE AREA:	2 PLACE .XX ±	
	ANGLES ±	

FINISH	MATERIAL
N/A	N/A

UNLESS OTHERWISE SPECIFIED DIMENSIONS ARE IN MILLIMETERS INTERPRET PER ISO STANDARDS HANDBOOK, TECHNICAL DRAWINGS, VOLUMES 1 & 2, THIRD EDITION (2002)	NAME	DATE	TITLE
	CE ZW	05FEB15	10 DEG HEAVY DUTY DOWNTILT MOUNTING KIT
	RW WZ1012	05/07/2019	
	RV CHALIU	05/07/2019	
	AD HW8003	05/08/2019	
	RE ZHHCHEN	05/08/2019	
ECN 8000035097-O	SIZE A3	SCALE 1:5	DOCUMENT NO. T-045-GL-E-L

© 2015 CommScope, Inc.

NOTICE: These drawings and specifications are the proprietary property of COMMSCOPE, INC. and may be used only for the specific purpose authorized in writing by COMMSCOPE, INC.

HEIGHT	ALL SURFACES	WORK AREA 23	MODEL			DRAWING			SHEET 1 OF 1
LENGTH	✓		VERSION	STATUS	REVISION	VERSION	STATUS	REVISION	
WIDTH			00	RE	A	02	RE	C	