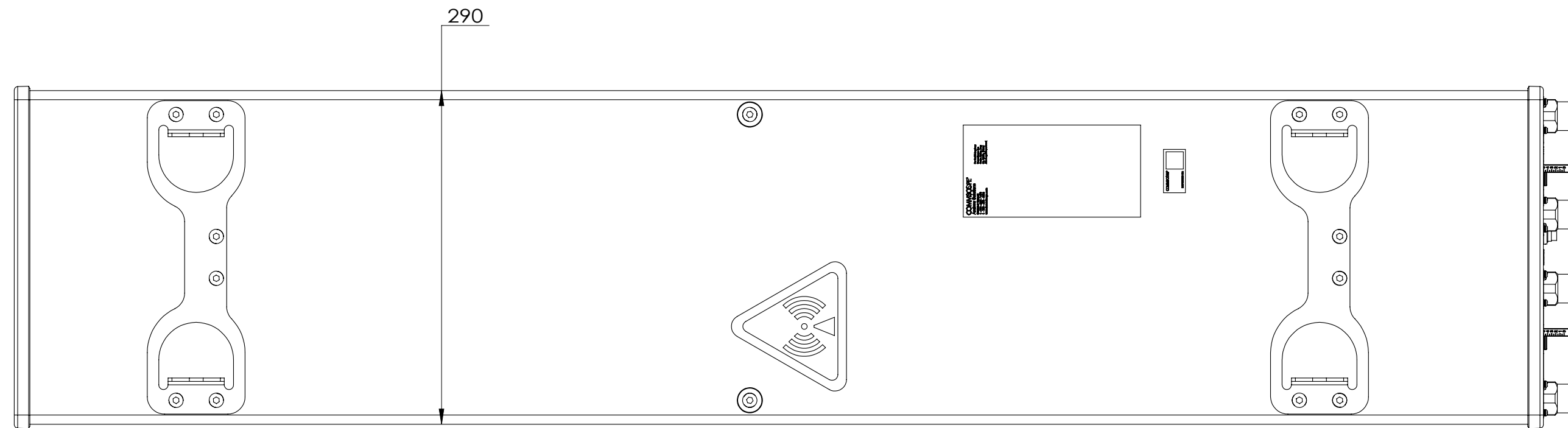
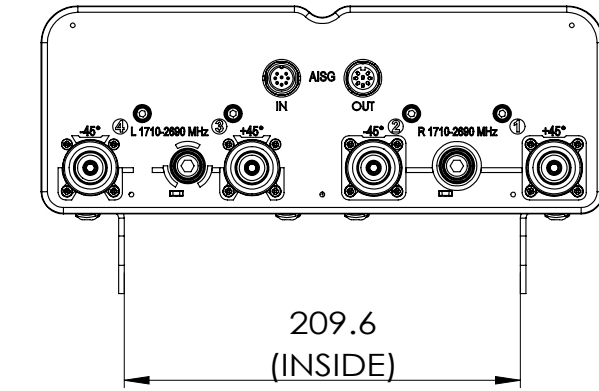
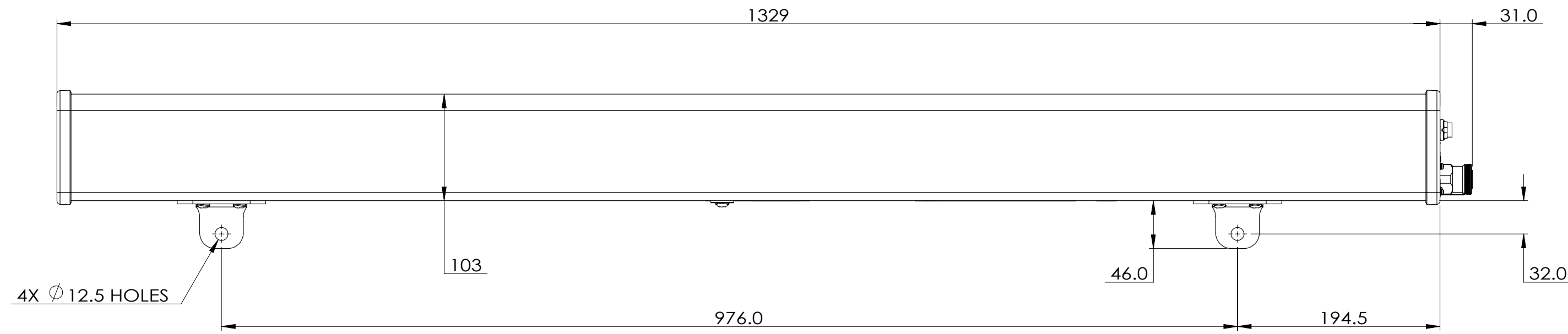


NOTES:

REVISIONS			
REV.	DESCRIPTION	DATE	APPROVED
A	ECR 8000017238: REL TO PRODUCTION.	14NOV16 RY	S.LIU/JIHE



VVPX310R-V5

COMMSCOPE, INC. OF NORTH CAROLINA																																																																		
TOLERANCES					SAP MATERIAL MASTER																																																													
0 PLACE		X ±		2 PLACE		.XX ±																																																												
1 PLACE		.X ±		ANGLES		±																																																												
FINISH					MATERIAL																																																													
PRODUCT DRAWING																																																																		
SCALE		1:4		DOCUMENT NO.																																																														
				VVPX310R-V5-L																																																														
<table border="1" style="width: 100%; border-collapse: collapse;"> <tr> <td rowspan="5" style="font-size: 8px; vertical-align: top;">UNLESS OTHERWISE SPECIFIED DIMENSIONS ARE IN MILLIMETERS INTERPRET PER ISO STANDARDS HANDBOOK TECHNICAL DRAWINGS VOLUMES 1 & 2, THIRD EDITION (2002)</td> <td>NAME</td> <td>DATE</td> <td colspan="7">TITLE</td> </tr> <tr> <td>CE RY</td> <td>11/14/2016</td> <td colspan="7" rowspan="5" style="text-align: center; vertical-align: middle;">PRODUCT DRAWING</td> </tr> <tr> <td>RW RY1017</td> <td>11/14/2016</td> </tr> <tr> <td>RV CHALIU</td> <td>11/14/2016</td> </tr> <tr> <td>AD JIHE</td> <td>11/14/2016</td> </tr> <tr> <td>RE LONEWSOM</td> <td>11/14/2016</td> </tr> <tr> <td colspan="3">ECN 8000017238-0</td> <td>SIZE</td> <td>WORK AREA</td> <td>23</td> <td colspan="2">MODEL</td> <td colspan="2">DRAWING</td> <td>SHEET</td> </tr> <tr> <td colspan="3"></td> <td rowspan="2" style="font-size: 24px; vertical-align: middle;">A2</td> <td colspan="2" rowspan="2" style="text-align: center;"> </td> <td>VERSION</td> <td>STATUS</td> <td>REVISION</td> <td>VERSION</td> <td>STATUS</td> <td>REVISION</td> <td rowspan="2" style="text-align: center;">1 OF 1</td> </tr> <tr> <td colspan="3"></td> <td>00</td> <td>RE</td> <td>A</td> </tr> </table>										UNLESS OTHERWISE SPECIFIED DIMENSIONS ARE IN MILLIMETERS INTERPRET PER ISO STANDARDS HANDBOOK TECHNICAL DRAWINGS VOLUMES 1 & 2, THIRD EDITION (2002)	NAME	DATE	TITLE							CE RY	11/14/2016	PRODUCT DRAWING							RW RY1017	11/14/2016	RV CHALIU	11/14/2016	AD JIHE	11/14/2016	RE LONEWSOM	11/14/2016	ECN 8000017238-0			SIZE	WORK AREA	23	MODEL		DRAWING		SHEET				A2			VERSION	STATUS	REVISION	VERSION	STATUS	REVISION	1 OF 1				00	RE	A
UNLESS OTHERWISE SPECIFIED DIMENSIONS ARE IN MILLIMETERS INTERPRET PER ISO STANDARDS HANDBOOK TECHNICAL DRAWINGS VOLUMES 1 & 2, THIRD EDITION (2002)	NAME	DATE	TITLE																																																															
	CE RY	11/14/2016	PRODUCT DRAWING																																																															
	RW RY1017	11/14/2016																																																																
	RV CHALIU	11/14/2016																																																																
	AD JIHE	11/14/2016																																																																
RE LONEWSOM	11/14/2016																																																																	
ECN 8000017238-0			SIZE	WORK AREA	23	MODEL		DRAWING		SHEET																																																								
			A2			VERSION	STATUS	REVISION	VERSION	STATUS	REVISION	1 OF 1																																																						
						00	RE	A																																																										

DENSITY	g/mm ³
MASS	grams
VOLUME	mm ³
SURFACE AREA	mm ²
HEIGHT	
LENGTH	
WIDTH	

© 2016 CommScope, Inc.