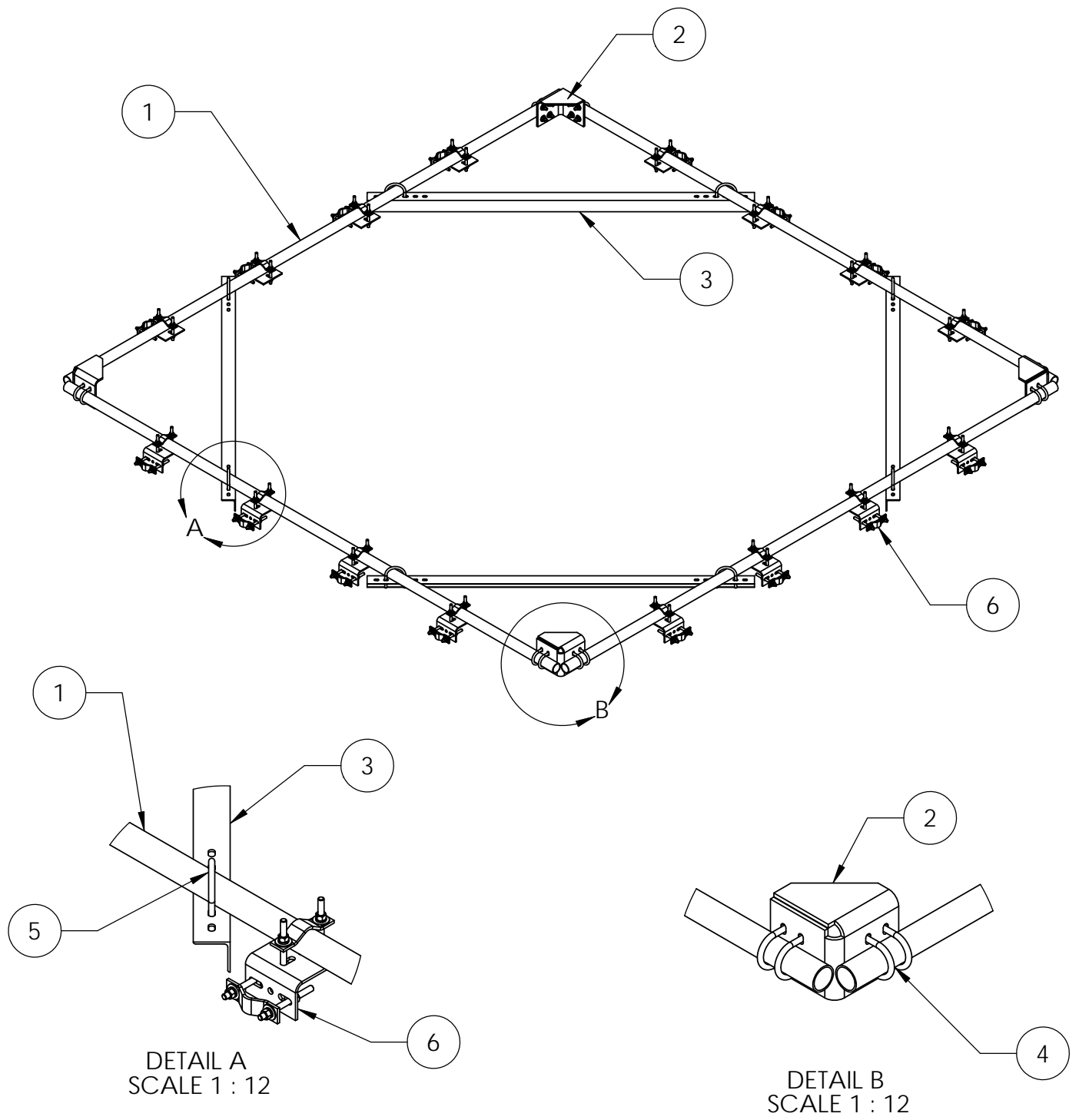
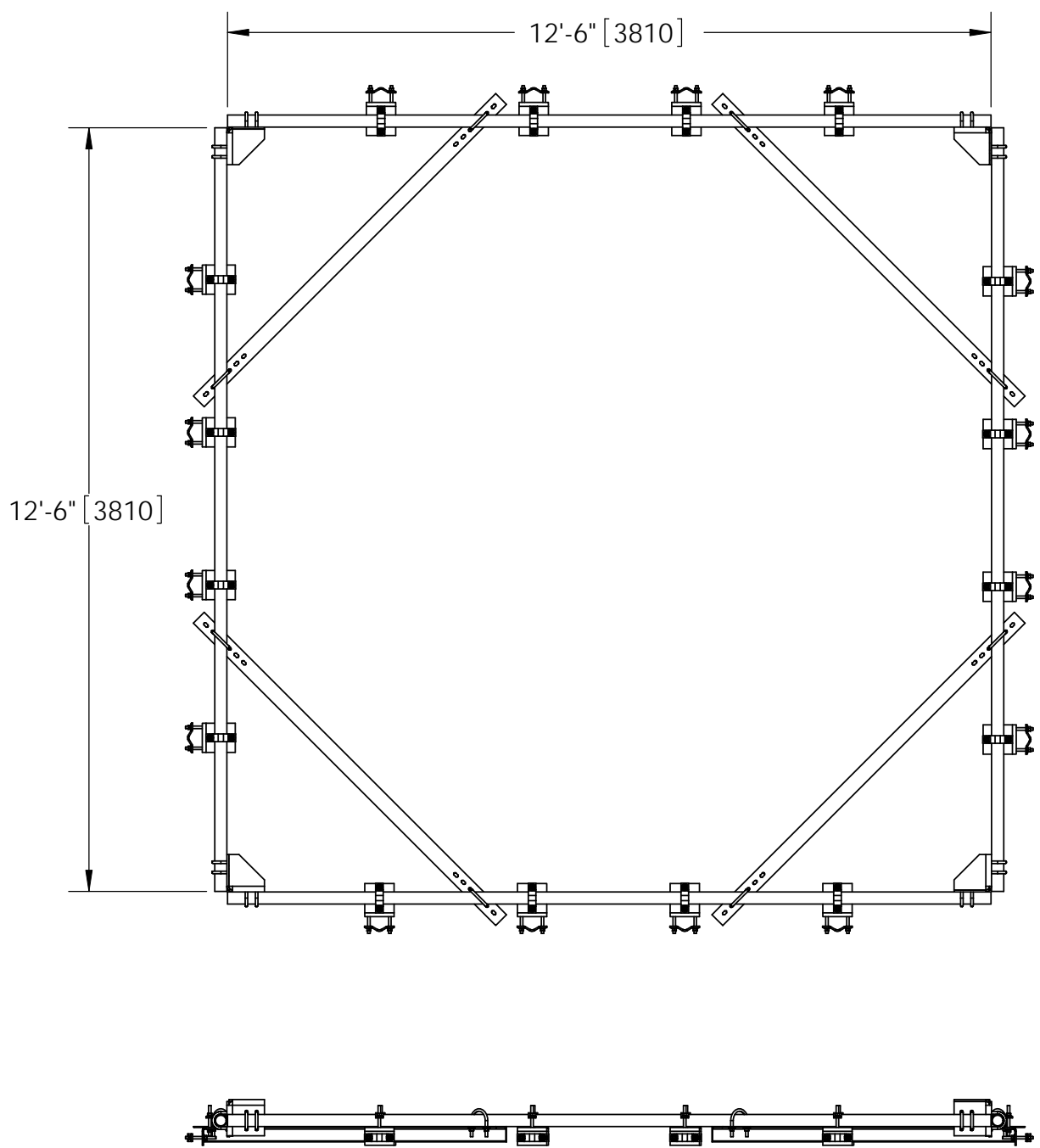



ITEM	PART NO.	DESCRIPTION	QTY.	WEIGHT
1	MT-651-150	Ø 2.375" OD x 150" PIPE	4	45.42 LBS
2	MTC343201	Corner Bracket	4	13.18 LBS
3	MTC343203	Handrail Support Angle	4	25.60 LBS
4	GUB-4240	1/2" X 2-1/2" X 4" GALV U-BOLT	16	0.56 LBS
5	GUB-4355	1/2" X 3-5/8" X 5" GALV U-BOLT	8	0.71 LBS
6	XA-U	UNIVERSAL CROSSOVER ANGLE	8	6.85 LBS

REVISIONS				
REV.	ZONE	DESCRIPTION	BY	DATE
A		INITIAL RELEASE	DRR	11/20/12



NOTES:
 1. ALL METRIC DIMENSIONS ARE IN BRACKETS.

These drawings and specifications are the proprietary property of CommScope Inc. and may be used only for the specific purpose authorized in writing by CommScope Inc. ALL DIMENSIONS ARE IN INCHES U.O.S. TOLERANCES UNLESS OTHERWISE SPECIFIED: .X = ± .12 ANGLES ±2° .XX = ± .06 FRACTIONS ±1/32 .XXX = ± .031 REMOVE BURRS AND BREAK EDGES .005 DO NOT SCALE THIS PRINT	DRAWN BY: DRR	SHEET: 1 of 1	PART NUMBER: MC-TR4-12
	CHECKED BY: TP	SCALE: NTS	DESCRIPTION: 12'-6" UNIVERSAL HAND RAIL KIT
	DATE: 01/21/12	MATERIAL: A500, A36	DRAWING TYPE: ASSEMBLY DRAWING
	REVISION: A	FINISH: GALV A123	
	WEIGHT: 465.37 LBS		