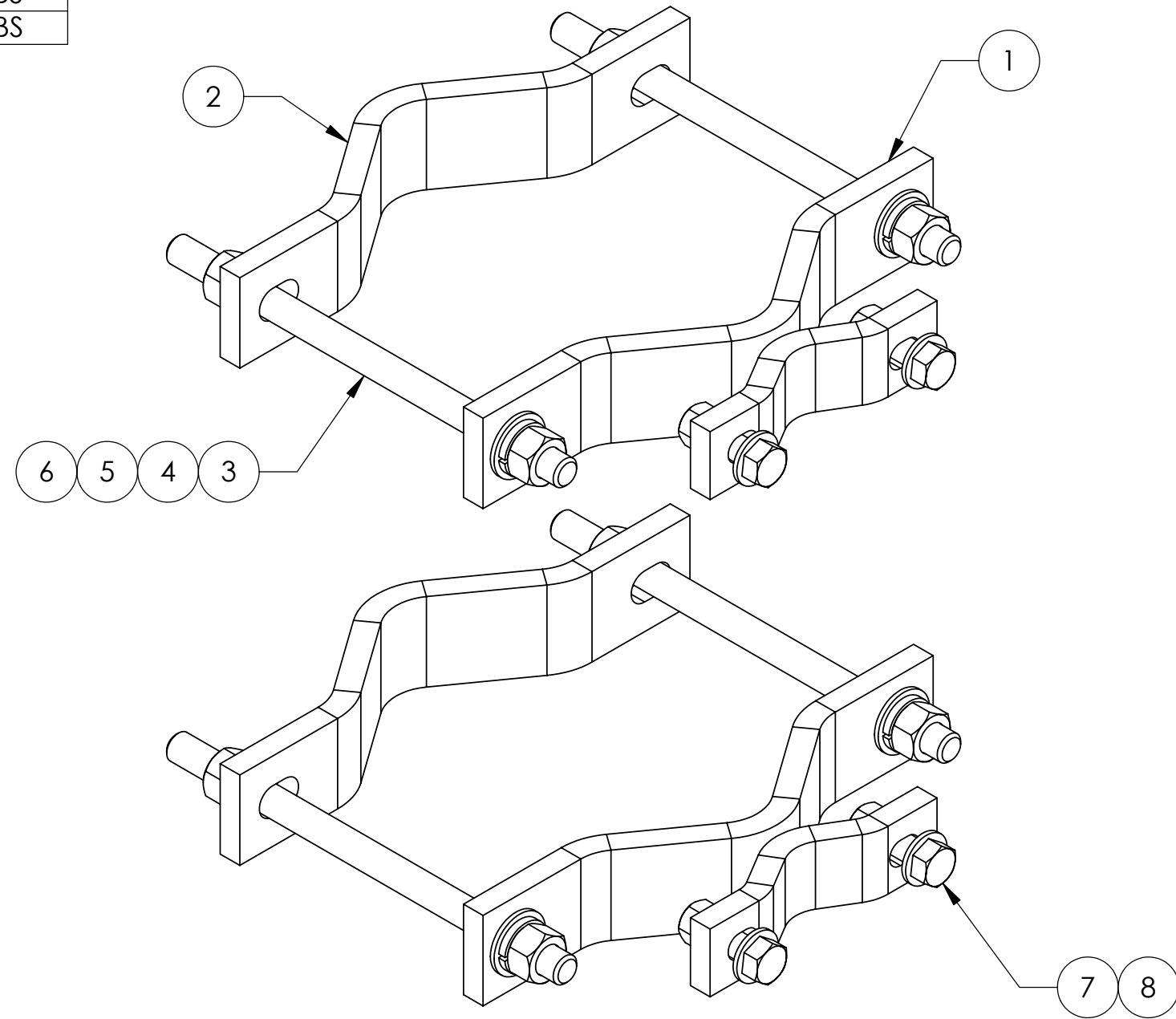



ITEM	PART NO.	DESCRIPTION	QTY.	WEIGHT
1	MSA	MEDIUM TO SMALL ADAPTER HALVE	2	4.56 LBS
2	MC-P10	MEDIUM CLAMP HALF	2	3.36 LBS
3	MT-381-10	5/8" X 10" THREADED ROD	4	0.79 LBS
4	GWF05A	5/8" GALV FLAT WASHER (A325)	8	0.03 LBS
5	GWL-05	5/8" GALV LOCK WASHER	8	0.01 LBS
6	GN05A	5/8" GALV HEX NUT (A325)	8	0.08 LBS
7	GB-0416A	1/2" X 1-3/4" GALV BOLT KIT (A325)	4	0.15 LBS
8	GWF04A	1/2" GALV FLAT WASHER (A325)	8	0.02 LBS

REVISIONS				
REV.	ZONE	DESCRIPTION	BY	DATE
A		INITIAL RELEASE	ML	02/29/00
B		REVISED & REDRAWN	JTS	03/22/01



These drawings and specifications are the proprietary property of ANDREW CORPORATION and may be used only for the specific purpose authorized in writing by Andrew Corporation. ALL DIMENSIONS ARE IN INCHES U.O.S. TOLERANCES UNLESS OTHERWISE SPECIFIED: .X = ± .06 ANGLES ±2° .XX = ± .03 FRACTIONS ±1/32 .XXX = ± .010 REMOVE BURRS AND BREAK EDGES .005 DO NOT SCALE THIS PRINT	DRAWN BY: ACG	SHEET: 1 of 1	PART NUMBER: MS-SB50
	CHECKED BY: TP	SCALE: NTS	DESCRIPTION: ADAPTER CLAMP SET, 4" O.D. TO 9" O.D.
	DATE: 09/27/05	MATERIAL: A36	DRAWING TYPE: ASSEMBLY DRAWING
	REVISION: B	FINISH: GALV A123 WEIGHT: 21.08 LBS	 ORLAND PARK, IL. 60462 U.S.A.