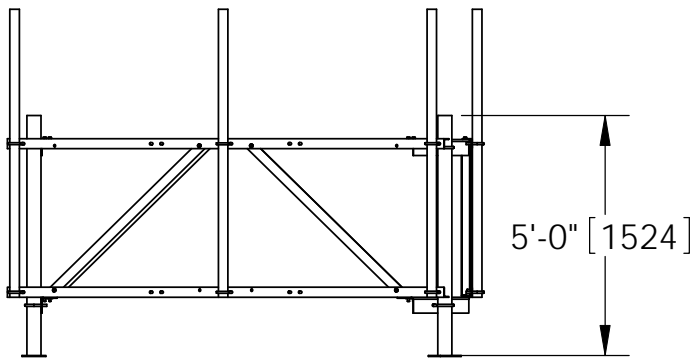
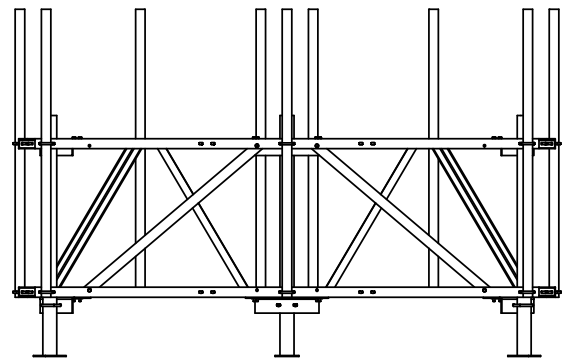
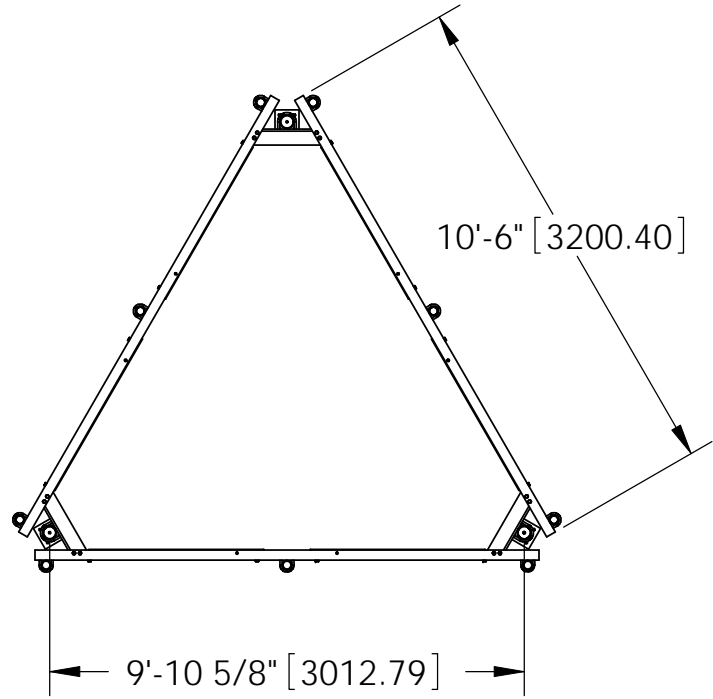
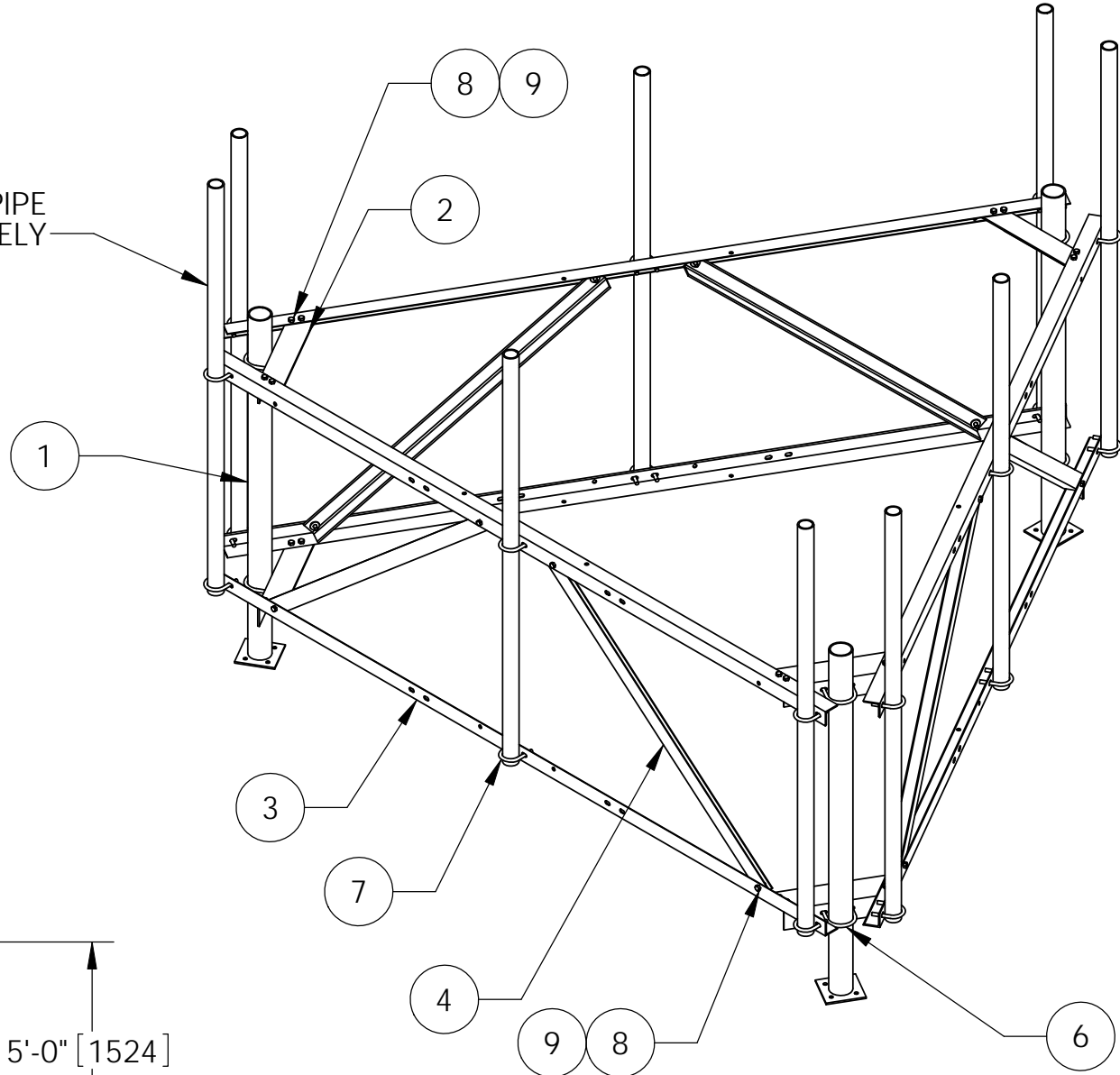


ITEM	PART NO.	DESCRIPTION	QTY.	WEIGHT
1	MT180.01	CORNER UPRIGHT (WELDMENT)	3	40.07 LBS
2	MT180.02	BRACE, CRNR ANGLE, MULTI-SCTR ROOF FRAME	6	9.02 LBS
3	MT180.03	ANGLE, HORIZONTAL MEMBER	6	31.59 LBS
4	MT180.04	ANGLE, KICKER, TRIANGULAR CELL FRAME	6	14.49 LBS
5	MT180H	HARDWARE KIT (ITEMS 6-9)	1	
6	GUB-4355	1/2" X 3-5/8" X 5" GALV U-BOLT KIT	6	0.71 LBS
7	GUB-4240	1/2" X 2-1/2" X 4" GALV U-BOLT KIT	24	0.57 LBS
8	GB-04125	1/2" X 1-1/4" GALV BOLT KIT	36	0.12 LBS
9	GWF-04	1/2" GALV FLAT WASHER	36	0.06 LBS


REVISIONS				
REV.	ZONE	DESCRIPTION	BY	DATE
E		REDRAWN & REVISED	DMW	05/10/01
F		UPDATE PART LIST	DMW	06/11/01
G		UPDATE QTY OF ITEM 8	JTS	06/13/01
H		REDRAWN IN SW	ACG	07/12/06
J		ADD PLAN VIEWS	MSM	12/01/11



ANTENNA MOUNTING PIPE  
SOLD SEPARATELY



NOTES:  
1. ALL METRIC DIMENSIONS ARE IN BRACKETS.

<small>These drawings and specifications are the proprietary property of ANDREW CORPORATION and may be used only for the specific purpose authorized in writing by Andrew Corporation.</small> <b>ALL DIMENSIONS ARE IN INCHES U.O.S.</b> TOLERANCES UNLESS OTHERWISE SPECIFIED: .X = ± .06      ANGLES      ±2° .XX = ± .03      FRACTIONS      ±1/32 .XXX = ± .010 REMOVE BURRS AND BREAK EDGES .005 <b>DO NOT SCALE THIS PRINT</b>	DRAWN BY: <b>ACG</b>	SHEET: 1 of 1	PART NUMBER: <b>MT-180</b>
	CHECKED BY: <b>TP</b>	SCALE: NTS	DESCRIPTION: MULTI-SECTOR ROOF FRAME
	DATE: 07/12/06	MATERIAL: A36, A53	DRAWING TYPE: ASSEMBLY DRAWING
	REVISION: <b>J</b>	FINISH: GALV A123	
	WEIGHT: 726.27 LBS	ORLAND PARK, IL. 60462 U.S.A.	