

4

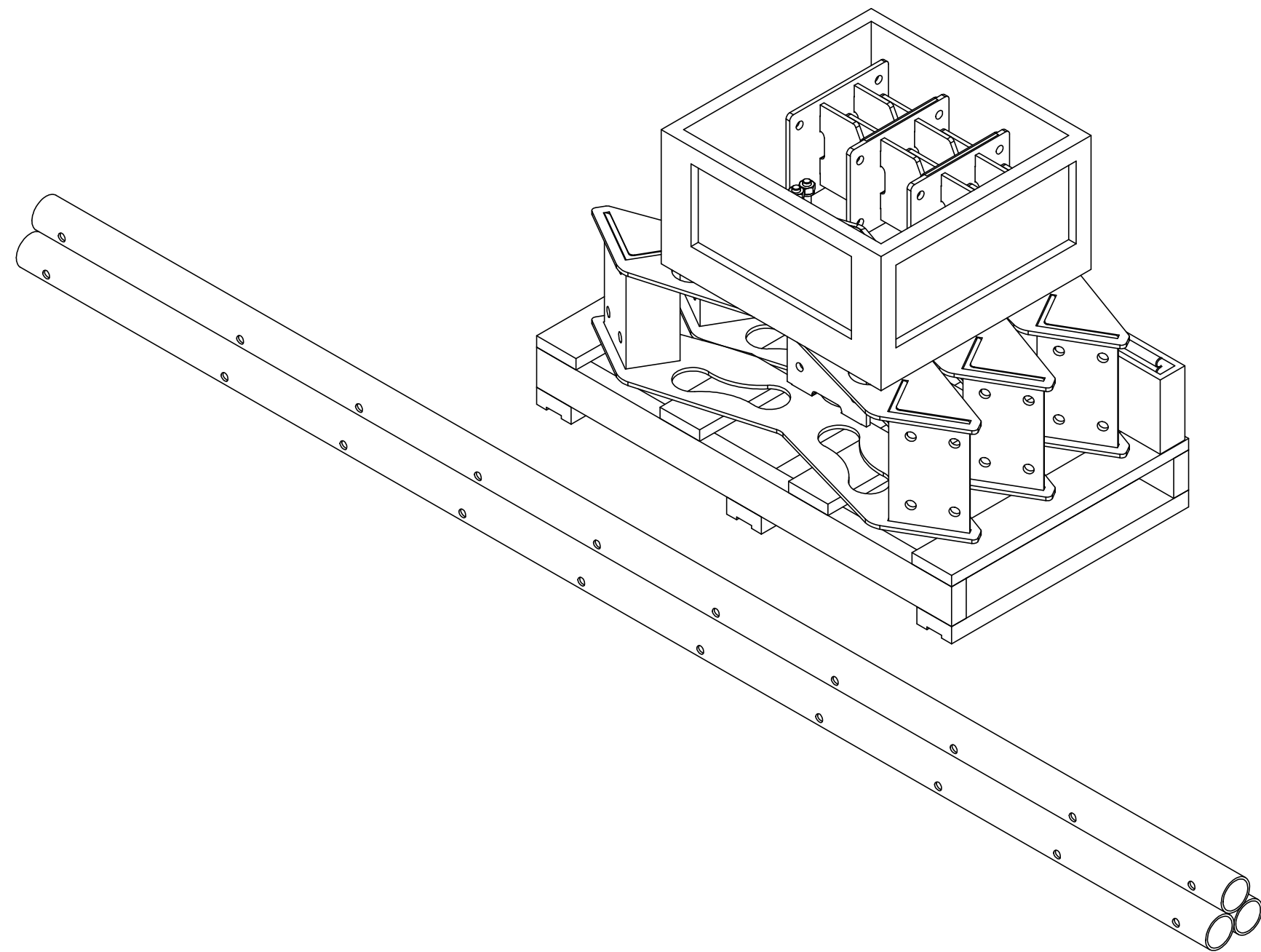
3

2

1

NOTES: 1.0 FOR LAYOUT ONLY.

REVISIONS				
REV.	ECN	DESCRIPTION	BY	DATE
A	8000012996	INITIAL RELEASE	MSM	03/14/16



ITEM	PART NO.	DESCRIPTION	QTY.	WEIGHT	NOTE NO.
1	MTC3852SB	STEEL BUNDLE FOR MTC38523L	1	159.80 LBS	
2	MTC3852HK	HARDWARE KIT FOR MTC3852	1	384.22 LBS	

COMMScope, INC. OF NORTH CAROLINA									
TOLERANCES					SAP MATERIAL MASTER				
0 PLACE X ± .25		2 PLACE .XX ± .06			MTC38523L				
1 PLACE .X ± .12		ANGLES ± 2°							
FINISH					MATERIAL				
GALV A123					A36, A500				
UNLESS OTHERWISE SPECIFIED DIMENSIONS ARE IN MILLIMETERS INTERPRET PER ISO STANDARDS HANDBOOK TECHNICAL DRAWINGS VOLUMES 1 & 2, THIRD EDITION (2002)	CE	NAME	DATE	TITLE					
	RW	MSM	02/03/16	Reinforcement Kit, 3-Sector, 30-60, 10' Arm					
	RV								
	AD			SCALE	DOCUMENT NO.				
	RE	TP	02/03/16	1:10	MTC38523L				
	ECN	8000012996							
SIZE	WORK AREA		MODEL			DRAWING			
C			VERSION	STATUS	REVISION	VERSION	STATUS	REVISION	SHEET
									A

DENSITY	0.13	lbs/in ³
MASS	544.02	lbs
VOLUME	4245.01	in ³
SURFACE AREA		in ²
HEIGHT		
LENGTH		
WIDTH		

© 2015 CommScope, Inc. Confidential

4

3

2

1

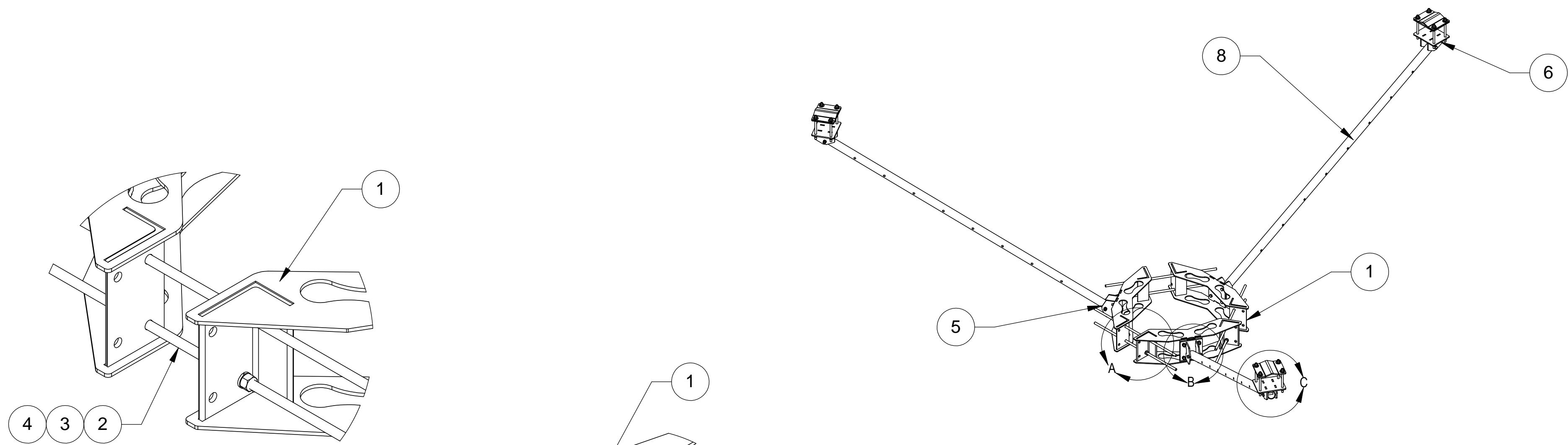
4

3

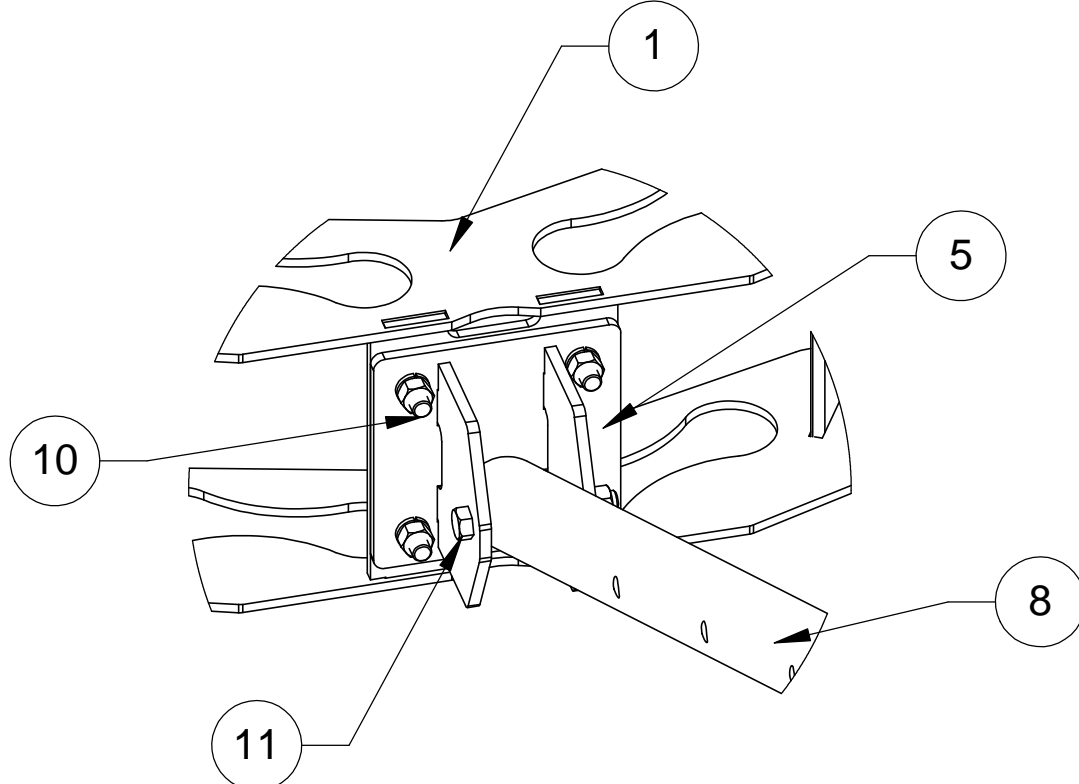
2

1

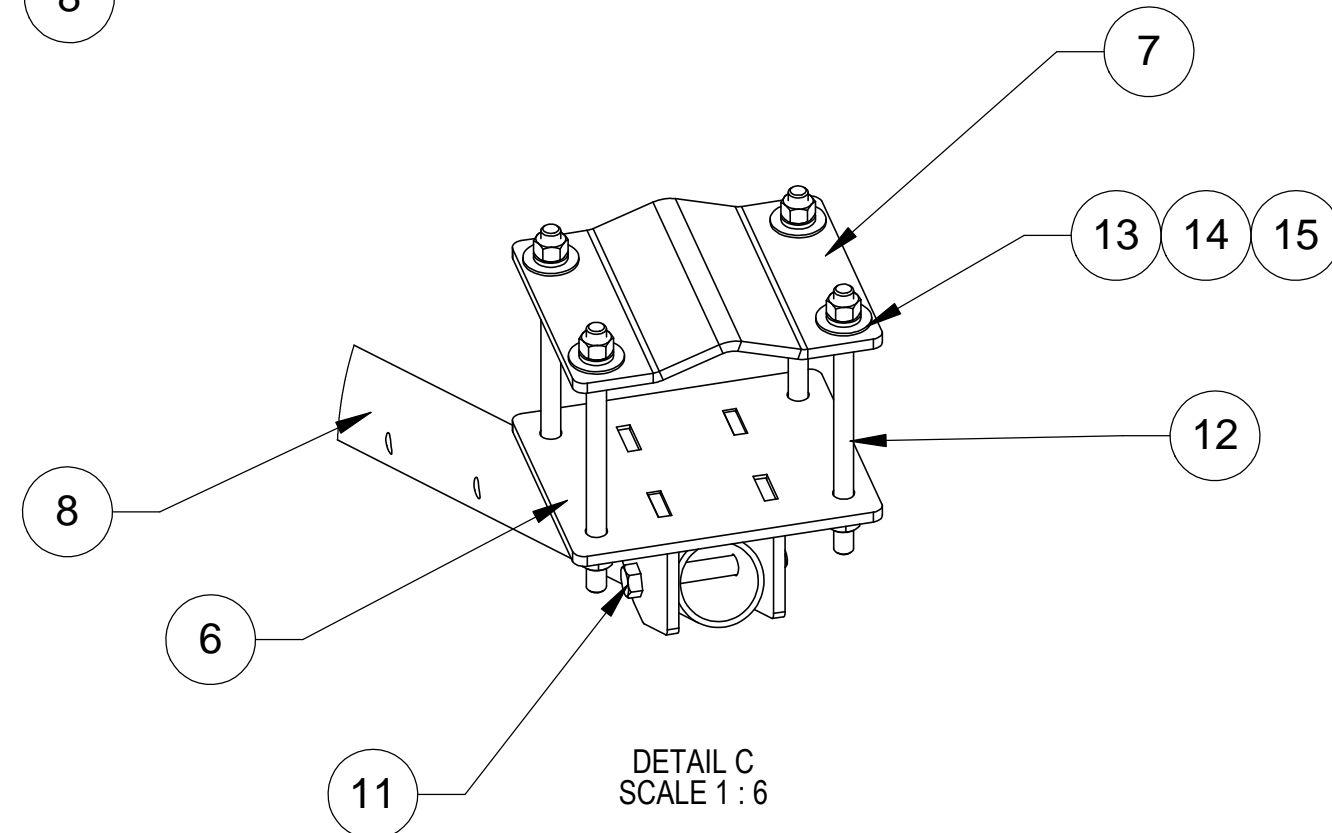
NOTES: 1.0 METRIC DIMENSIONS IN BRACKETS.
 2.0 FITS MONOPOLES 30"-60" OD.
 3.0 USE MTC385202 FOR ROUND PIPE STAND-OFF ARM.
 4.0 USE MTC385204 FOR SQUARE PIPE STAND-OFF ARM.
 5.0 CUT KICKER PIPE AS NEEDED FOR PROPER LENGTH.



DETAIL A
SCALE 1:6



DETAIL B
SCALE 1:6



DETAIL C
SCALE 1:6

ITEM	PART NO.	DESCRIPTION	QTY.	WEIGHT	NOTE NO.
1	MTC306505W	3060 RM Weldment	3	58.21 LBS	
2	MT38440	3/4" X 40" GALV THREADED ROD GRADE B7	6	4.98 LBS	
3	GWL-06	3/4" GALV LOCK WASHER	12	0.04 LBS	
4	GN-06	3/4" GALV HEX NUT	12	0.15 LBS	
5	RK01	KICKER STANDOFF WELDMENT	3	12.71 LBS	
6	MTC385201	KICKER PLATFORM CONNECTION WELDMENT	3	14.40 LBS	
7	MTC385202	ROUND PIPE CLAMP PLATE, 6-5/8" OD	3	8.39 LBS	3
8	MTC385203	KICKER PIPE, 10'	3	53.27 LBS	5
9	MTC385204	TOP CLAMP PLATE	3	8.28 LBS	4
10	GB-0520A	5/8" X 2" GALV BOLT KIT (A325)	12	0.26 LBS	
11	GB-0546A	5/8" X 4-3/4" GALV BOLT KIT A325	6	0.50 LBS	
12	MT-381-10	5/8" X 10" GALV THREADED ROD	12	0.86 LBS	
13	GWF-05	5/8" GALV FLAT WASHER	24	0.06 LBS	
14	GWL-05	5/8" GALV LOCK WASHER	24	0.03 LBS	
15	GN-05	5/8" GALV HEX NUT	24	0.08 LBS	

COMMSCOPE, INC. OF NORTH CAROLINA

TITLE
Reinforcement Kit, 3-Sector, 30-60, 10' Arm

SIZE C	SCALE 1:28	DOCUMENT NO. MTC38523L
DRAWING		SHEET
VERSION	STATUS	REVISION A
		2 OF 3

4

3

2

1

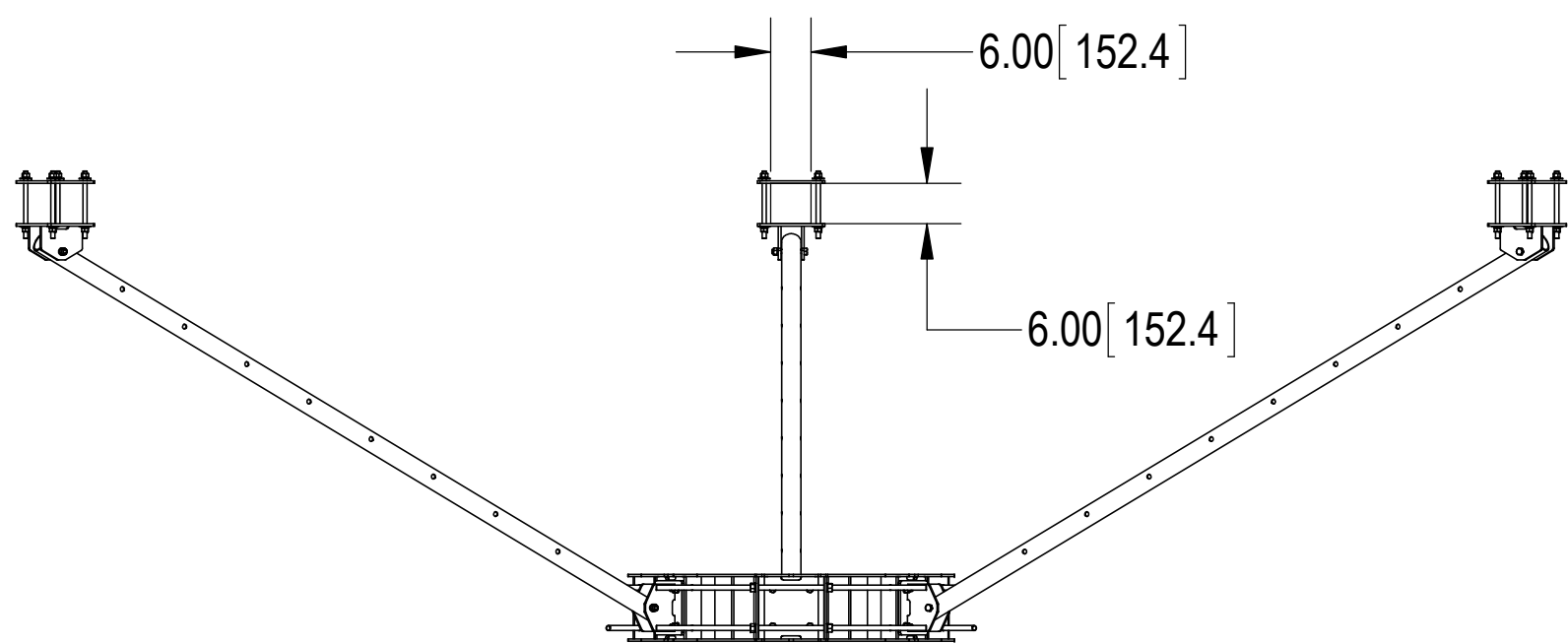
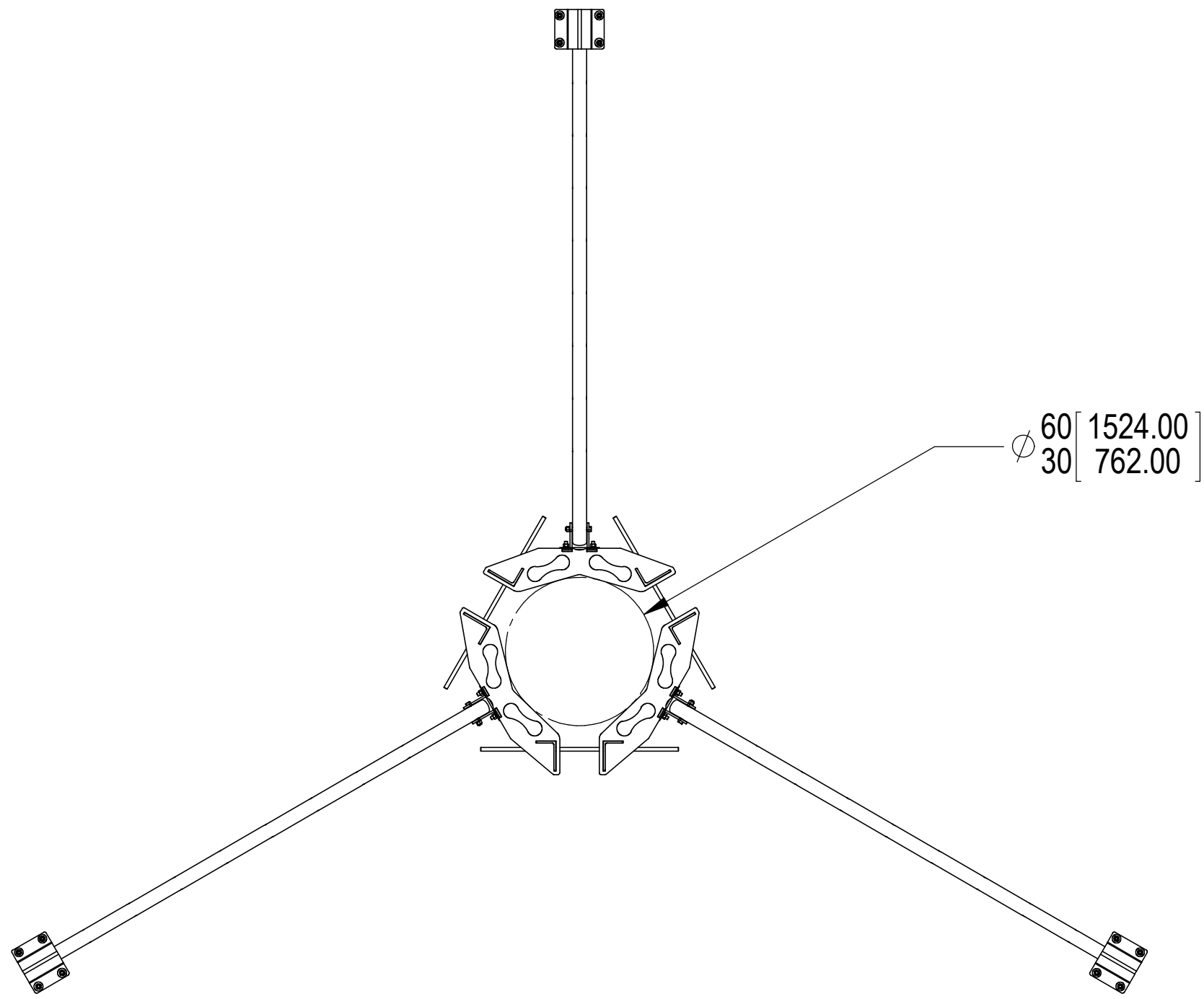
4

3

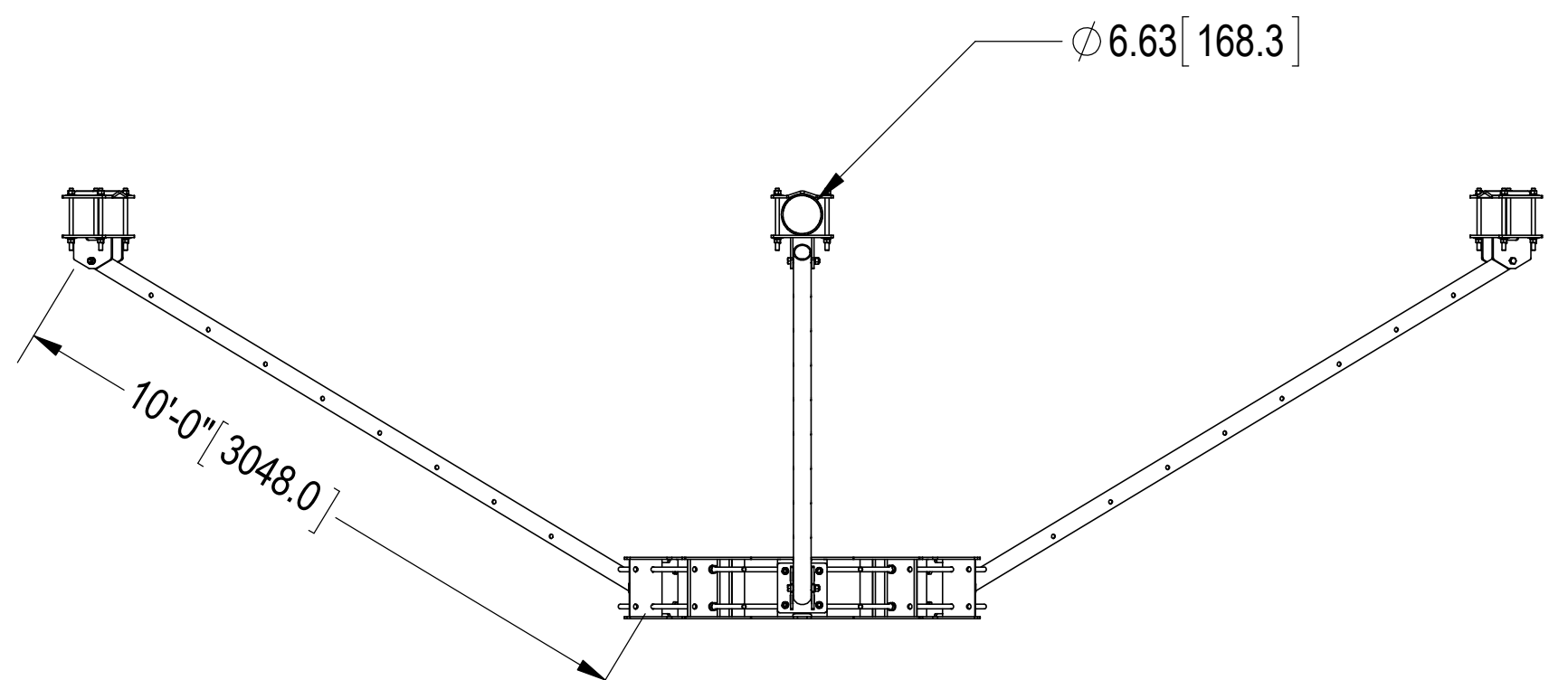
2

1

NOTES:



**ACCEPTS UP TO
6 X 6 SQUARE TUBING**



**ACCEPTS UP TO
6.63" OD TUBING**

COMMSCOPE, INC. OF NORTH CAROLINA

TITLE

SIZE C	SCALE 1:28	DOCUMENT NO.
------------------	----------------------	--------------

DRAWING	SHEET	
	VERSION	STATUS
REVISION	3 OF 3	

© 2015 CommScope, Inc. Confidential

4

3

2

1