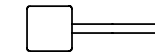
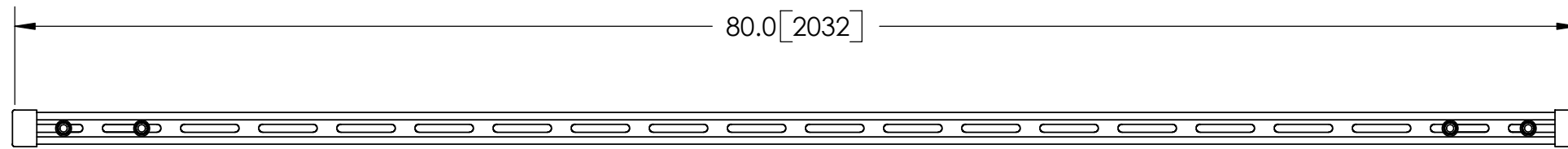
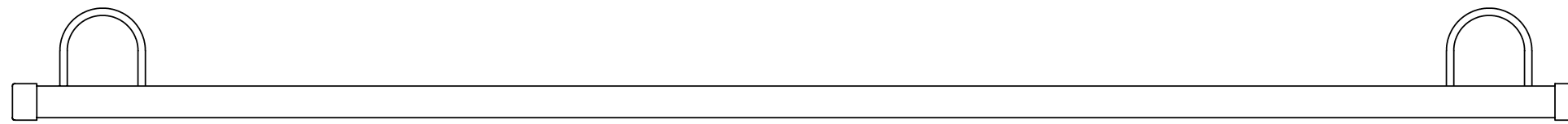
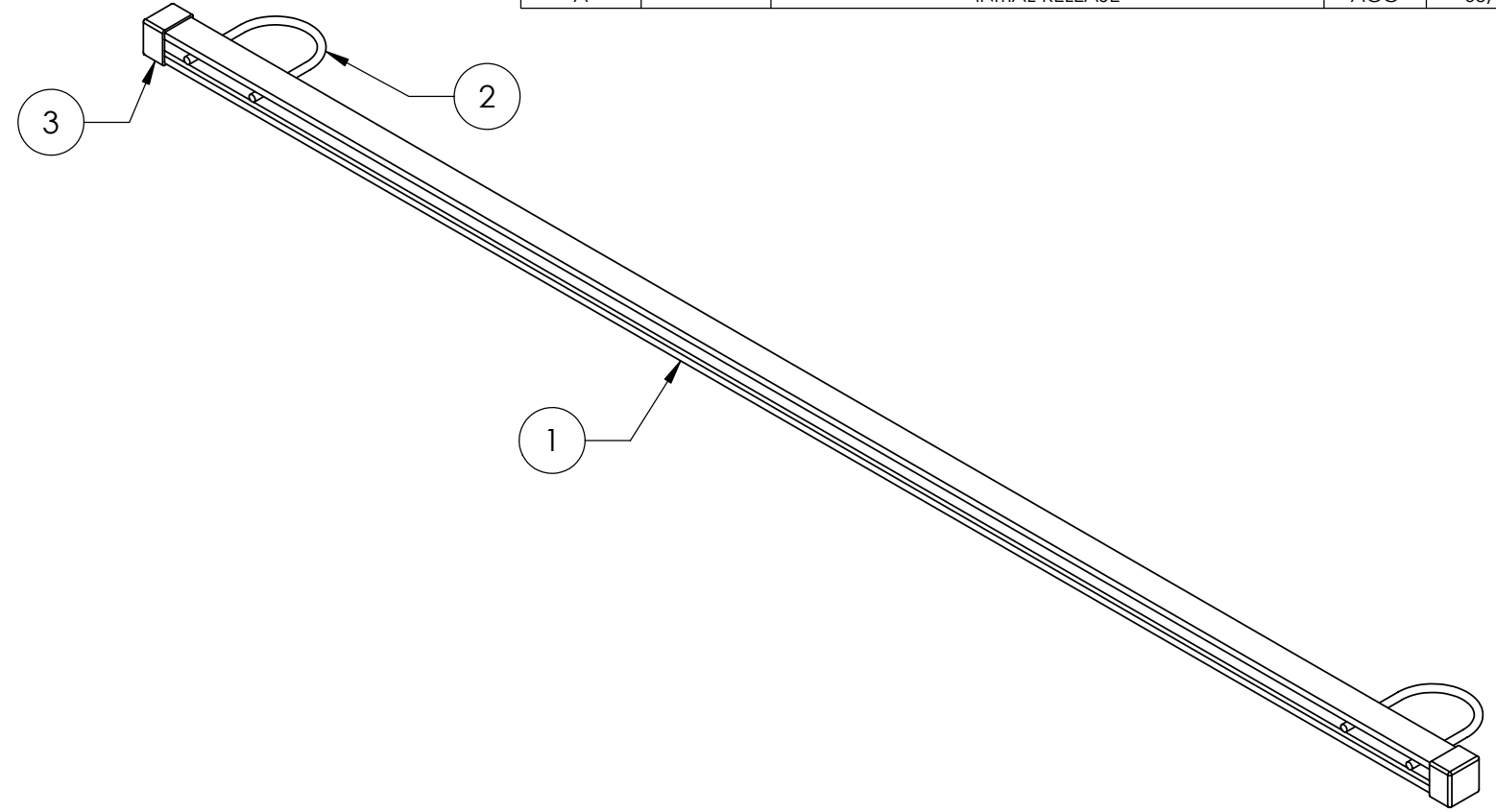



| ITEM | PART NO. | DESCRIPTION                        | QTY. | WEIGHT    |
|------|----------|------------------------------------|------|-----------|
| 1    | MT50480  | 1-5/8" SQ. SUPPORT RAIL 80" LONG   | 1    | 12.46 LBS |
| 2    | GUB-3355 | 3/8" X 3-5/8" X 5-1/4" GALV U-BOLT | 2    | 0.57 LBS  |
| 3    | PTCR.01  | END CAP                            | 2    | 0.06 LBS  |

| REVISIONS |      |                 |     |          |
|-----------|------|-----------------|-----|----------|
| REV.      | ZONE | DESCRIPTION     | BY  | DATE     |
| A         |      | INITIAL RELEASE | ACG | 05/03/07 |



NOTES:  
1. ALL METRIC DIMENSIONS ARE IN BRACKETS.

|   |                                  |  |   |
|---|----------------------------------|--|---|
| <small>These drawings and specifications are the proprietary property of ANDREW CORPORATION and may be used only for the specific purpose authorized in writing by Andrew Corporation.</small><br><b>ALL DIMENSIONS ARE IN INCHES U.O.S.</b><br>TOLERANCES UNLESS OTHERWISE SPECIFIED:<br>.X = ± .06            ANGLES    ±2°<br>.XX = ± .03          FRACTIONS ±1/32<br>.XXX = ± .010<br>REMOVE BURRS AND BREAK EDGES .005<br><b>DO NOT SCALE THIS PRINT</b> | <small>DRAWN BY:</small><br>ACG  | <small>SHEET:</small><br>1 of 1  | <small>PART NUMBER:</small><br>PT-RK  |
|   | <small>CHECKED BY:</small><br>TP | <small>SCALE:</small><br>NTS   | <small>DESCRIPTION:</small><br>TELCO RACK RUNG KIT  |
|   | <small>DATE:</small><br>05/03/07 | <small>MATERIAL:</small><br>A36, A53   | <small>DRAWING TYPE:</small><br>ASSEMBLY DRAWING  |
|   | <small>REVISION:</small><br>A    | <small>FINISH:</small><br>GALV A123<br><br><small>WEIGHT:</small><br>13.54 LBS |  <b>ANDREW</b> ®<br>ORLAND PARK, IL. 60462<br>U.S.A. |